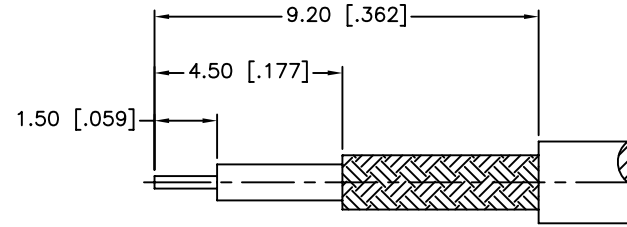
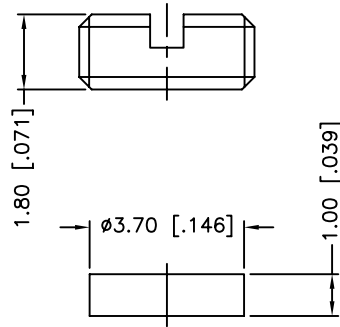
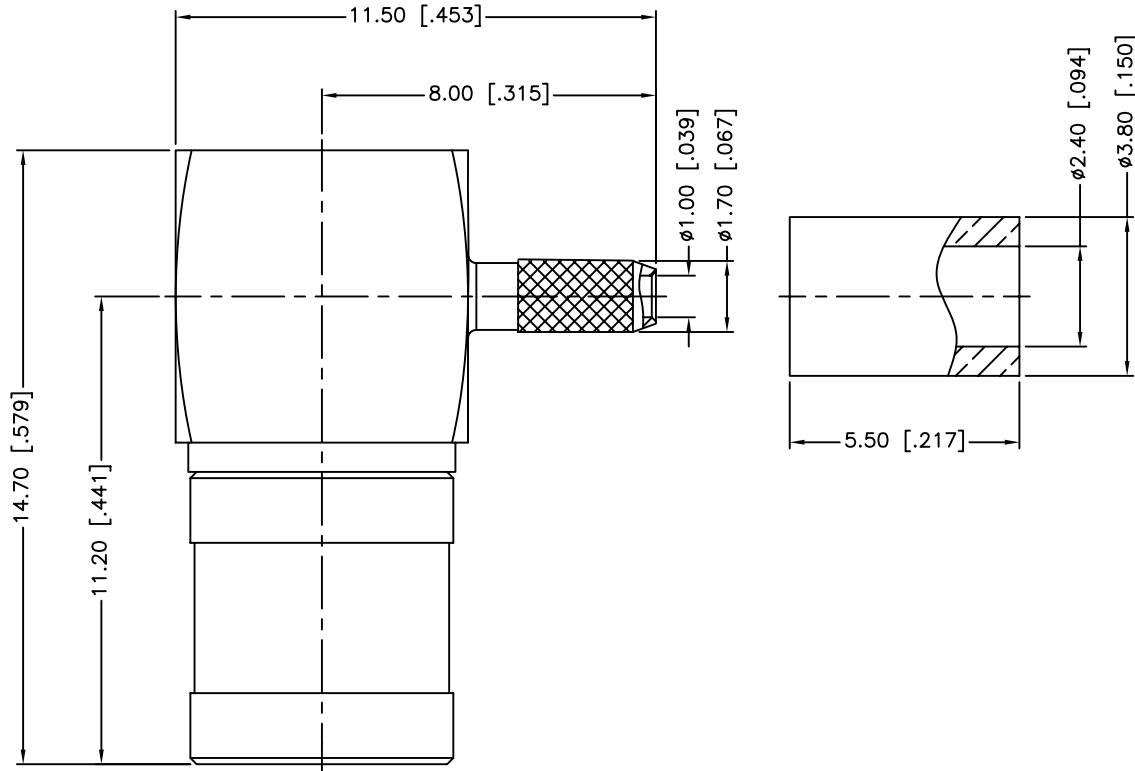
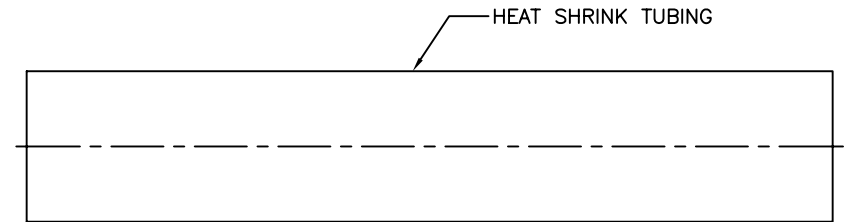


REV.	DATE	ECR NO.	DESCRIPTION
NC	09/10/04	XXXXXX	INITIAL RELEASE
A	08/27/13	2519	UPDATE DRAWING FORMAT



RECOMMENDED
CABLE STRIPPING DIM'S



1. IMPEDANCE: 50 OHM
2. FREQUENCY RANGE: 0-3 GHZ
3. VSWR: 1.5 MAX.
4. DIELECTRIC WITHSTANDING VOLTAGE: 750 VRMS, MIN.
5. DURABILITY: 500 CYCLES MIN.
6. TEMPERATURE RANGE: -65°C TO +165°C
7. CRIMPED FERRULE
HEX. CRIMP SIZE .128"

NO	DESCRIPTION	MATERIAL	FINISH	QTY
10	HEAT SHRINK TUBING			1
9	FERRULE	COPPER	NICKEL	1
8	COVER	BRASS	NICKEL	1
7	INSULATOR	PE	NATURAL	1
6	RETAINER RING	BER. COPPER	NATURAL	1
5	CONTACT PIN	BER. COPPER	GOLD	1
4	INSULATOR	PTFE	NATURAL	1
3	BARREL	BRASS	NICKEL	1
2	BODY	BRASS	NICKEL	1
1	SHELL	BRASS	NICKEL	1
	DESCRIPTION	MATERIAL	FINISH	QTY

UNLESS OTHERWISE SPECIFIED DIMENSIONS ARE IN MILLIMETERS. DIMENSIONS IN [] ARE IN INCHES AND FOR CUSTOMER REFERENCE ONLY.
UNLESS OTHERWISE SPECIFIED
TOLERANCES FOR MILLIMETERS ARE:
 <0.5 ± 0.05mm
 0.5 - 6mm ± 0.10mm
 6 - 30mm ± 0.20mm
 30 - 120mm ± 0.30mm
 ANGLES ± 1°
 UNLESS OTHERWISE SPECIFIED
 TOLERANCES FOR INCHES ARE:
 <.020 ± 0.002"
 .020 - .236 ± 0.004"
 .236 - 1.180 ± 0.007"
 1.180 - 4.724 ± 0.012"
 ANGLES ± 1°

DO NOT SCALE DRAWING

APPROVALS		DATE
DRAWN	M.ZHANG	08/27/13
CHECKED		
ISSUED		
SHEET	1 OF 1	
CAD FILE	C:/CONNEX/142288.DWG	

Amphenol Connex			
PART DESCRIPTION			
SMB R/A CRIMP PLUG (FOR RG-178B/U,196A/U CABLE)			
PART NO.			
142288			
DWG. NO.	142288.DWG	REV.	A
SIZE	A	SCALE	NA