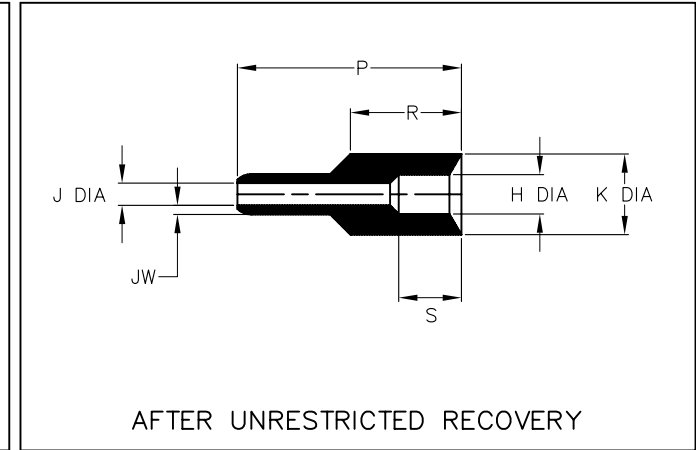
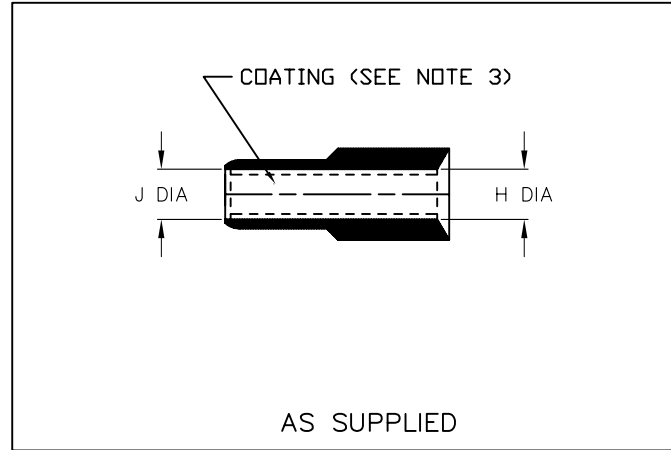


NOTES

1. ALL DIMENSIONS ARE IN  $\frac{\text{INCHES}}{[\text{MILLIMETERS}]}$
2. DIMENSIONS APPEARING IN TABLE ARE AS FOLLOWS:
  - a - AS SUPPLIED
  - b - AFTER UNRESTRICTED RECOVERY
3. COATING (ADHESIVE) IS OPTIONAL. AS SUPPLIED DIMENSIONS APPEARING IN TABLE ARE FOR UNCOATED PARTS. WHEN COATING IS ADDED, ENTRY DIAMETERS WILL BE REDUCED BY .06 MAX.

REVISIONS		
LTR	DESCRIPTION	DATE
B	REVISED PER ECO-08-016725	07/07/2008



PART NUMBER	H		J		K	P	R	S	JW
	MIN	MAX	MIN	MAX	MIN	±10%	REF	REF	±20%
	a	b	a	b	b	b	b	b	b
202E401	$\frac{.30}{[7,6]}$	$\frac{.22}{[5,6]}$	$\frac{.30}{[7,6]}$	$\frac{.12}{[3,0]}$	$\frac{.45}{[11,4]}$	$\frac{1.25}{[31,7]}$	$\frac{.62}{[15,7]}$	$\frac{.35}{[8,9]}$	$\frac{.05}{[1,3]}$

If this document is printed it becomes uncontrolled. Check for the latest revision

**CUSTOMER DRAWING**

UNLESS OTHERWISE SPECIFIED DIMENSIONS ARE INCHES. METRIC DIMENSIONS ARE IN BRACKETS.	DRAWN UNGUYEN	DATE 07/07/2008	 Raychem Molded Parts 305 Constitution Dr Menlo Park, CA 94025
	RPN		
DECIMAL TOLERANCES .XXX ± 0.005 [0.13 mm] .XX ± 0.01 [0.25 mm] .X ± 0.1 [0.50 mm]	THIRD ANGLE PROJECTION		TITLE <b>BUS CONNECTOR INSERT</b>
ANGLE TOLERANCE .X ± 1 DEG.	© 2008 Tyco Electronics Corporation. All rights reserved.		SIZE B CODE IDENT. NO. 06090 DVG. NO. 202E401
DO NOT SCALE THIS DRAWING		SHEET 1 OF 2	

4

3

2

1

D

D

## COMPATIBILITY CHART

MATERIAL DASH NO.	MATERIAL DESCRIPTION	RT SPEC	COATING SLASH NO.	COATING SPEC	COATING DESCRIPTION
-3	POLYOLEFIN, SEMI-RIGID	RT-301	/42; /86	S-1017; S-1048	ADHESIVE
-4	POLYOLEFIN, FLEXIBLE	RT-1304	/42; /86	S-1017; S-1048	ADHESIVE
-25	ELASTOMER, FLUID RESISTANT	RT-1325	/86	S-1048	ADHESIVE
-100	POLYOLEFIN, SEMI-FLEXIBLE ZEROHAL	RT-1323	/86; /180	S-1048; S-1030	ADHESIVE
-770	BM BOOTS FOR SYST. 700, NBC RESISTANT	RT-770 (II)	N/A		

C

C

## ORDERING INFORMATION

BASE PART NUMBER 202E401    -X    -XX    /XX  
 MATERIAL DASH NUMBER (SEE COMPATIBILITY CHART) \_\_\_\_\_  
 MODIFICATION NUMBER \_\_\_\_\_  
 ADHESIVE SLASH NUMBER (IF NECESSARY, SEE COMPATIBILITY CHART) \_\_\_\_\_

B

B

A

A

If this document is printed it becomes uncontrolled. Check for the latest revision

CUSTOMER DRAWING

SIZE B	DWG. NO. 06090	REV B	DWG. NO. 202E401
DO NOT SCALE THIS DRAWING			SHEET 2 OF 2

4

3

2

1

↑