

4

3

2

1

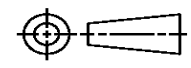
THIS DRAWING IS UNPUBLISHED. RELEASED FOR PUBLICATION
© COPYRIGHT ALL RIGHTS RESERVED.

LOC	DIST	REVISIONS			
P	LTR	DESCRIPTION	DATE	DWN	APVD
	A1	ECR-14-002920	27FEB2014	GK	HMR

REPLACED BY OCEAN STYLE APPLICATOR PART NUMBER 2151102-1

FOR REPLACEMENT PARTS FOR APPLICATOR 1528744 REFER TO ADDITIONAL PAGE(S). SPARE PARTS KIT (IF LISTED) WILL REMAIN AVAILABLE.

THE REPLACEMENT OCEAN STYLE APPLICATOR HAS THE SAME TERMINATOR/PRESS INTERFACE AS APPLICATOR 1528744

THIS DRAWING IS A CONTROLLED DOCUMENT.		DWN	GOPALAKRISHNA HV		
DIMENSIONS:		CHK	RAGHAVENDRA		
		APVD	RAGHAVENDRA		
TOLERANCES UNLESS OTHERWISE SPECIFIED:		PRODUCT SPEC	NAME		
0 PLC	±	APPLICATION SPEC	FINE ADJUST SIDE FEED HDI APPLICATOR		
1 PLC	±		SIZE	CAGE CODE	DRAWING NO
2 PLC	±		A3		©- 1528744
3 PLC	±				RESTRICTED TO
4 PLC	±				
ANGLES	±	WEIGHT			
MATERIAL	FINISH	CUSTOMER DRAWING	SCALE	SHEET 1 OF 2	REV A1

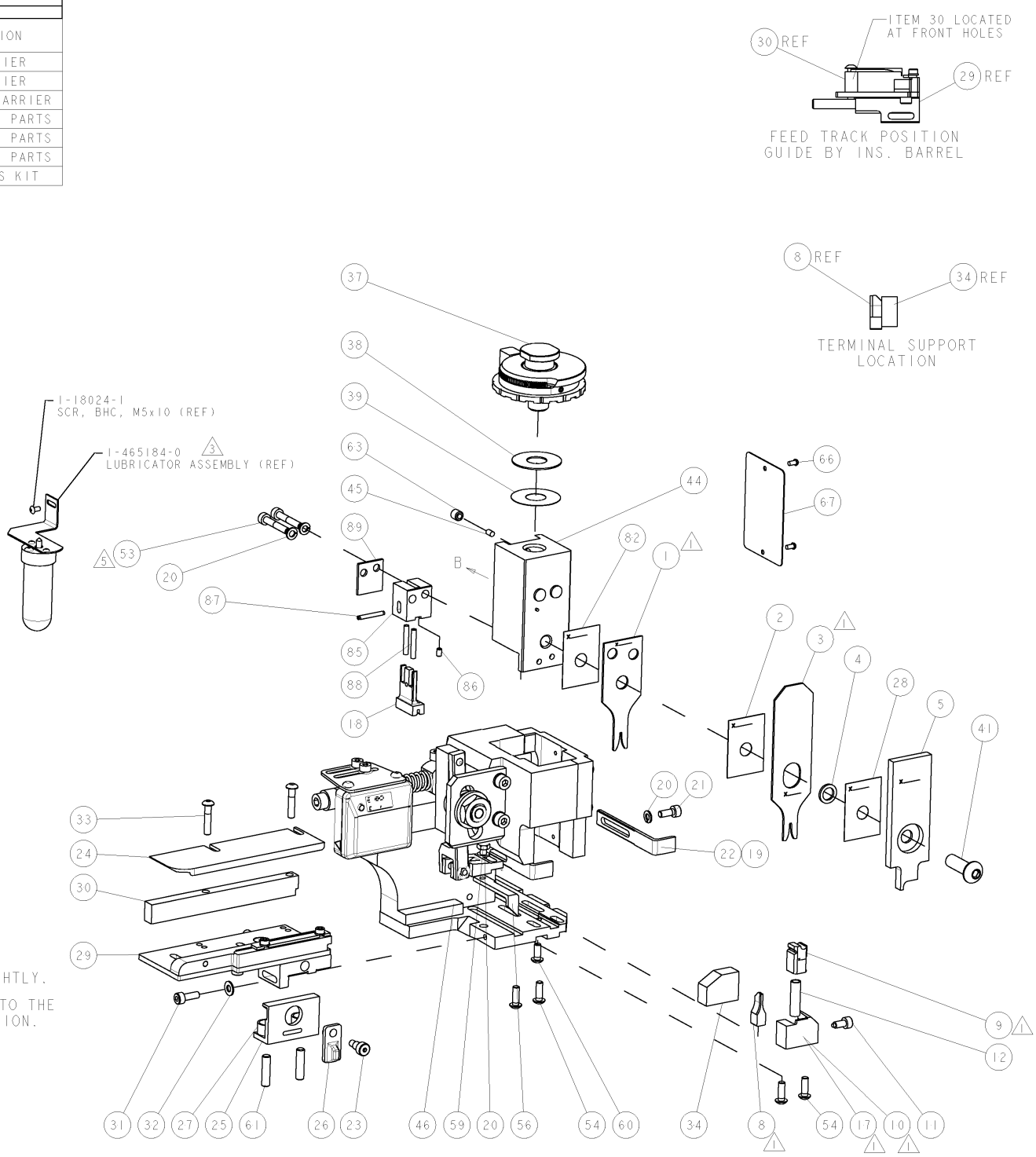
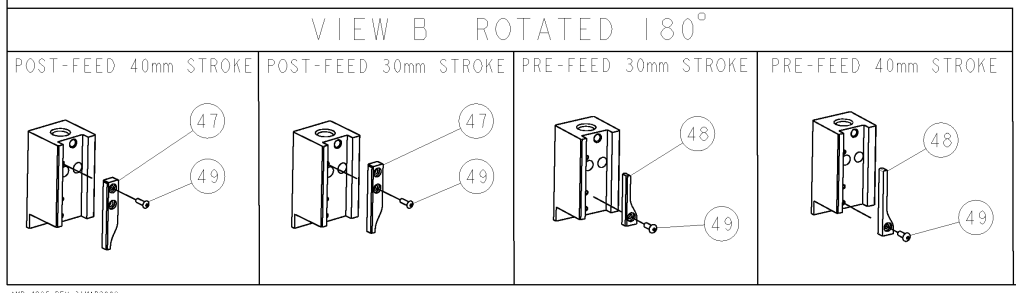


PART NUMBER	REV	TERMINATOR	FEED TYPE	DESCRIPTION
1528744-1	A	LEADMAKER	MECH POST FEED	CUTS CARRIER
1528744-2	A	BENCH	MECH PRE FEED	CUTS CARRIER
1528744-6	A	LEADMAKER	MECH POST FEED	CONTINUOUS CARRIER
7-1528744-1	A	LEADMAKER	MECH POST FEED	-1 AND SPARE PARTS
7-1528744-2	A	BENCH	MECH PRE FEED	-2 AND SPARE PARTS
7-1528744-6	A	LEADMAKER	MECH POST FEED	-6 AND SPARE PARTS
7-1528744-7	A	-	-	SPARE PARTS KIT

CRIMP DATA		TYCO TERMINAL		TYCO CRIMP SPECS	
TERMINAL NAME:	AMP CT CONN	2mm PITCH	TYPE II REC.	CONTACT	
CRIMP	SIZE	TYPE	RANGE		
WIRE	1.17 [0.46 IN]	F	0.12-0.37mm ² or 26-22 AWG		
INSUL	1.50 [0.59 IN]	F	0.93-1.50 [0.37-.059 IN]		
WIRE STRIP LENGTH	1.90-2.30 [0.75-.090 IN]	APPL INSTRUCTIONS		408-8322 & 408-8490	
TERMINAL APPL SPEC	114-5179	FEED	7.50 [1.295 IN]		

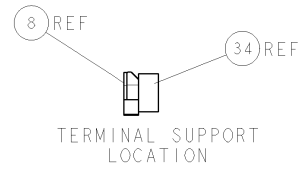
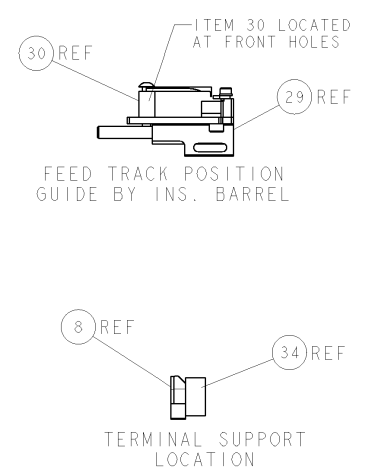
WIRE SIZE	CRIMP HEIGHT	REF SETTINGS
22 AWG or 0.37mm ²	0.83 ± 0.05 [0.033 ± 0.002 IN]	C 8
0.30mm ²	0.83 ± 0.05 [0.033 ± 0.002 IN]	C 8
24 AWG or 0.22mm ²	0.77 ± 0.05 [0.030 ± 0.002 IN]	D 2
26 AWG or 0.12mm ²	0.71 ± 0.05 [0.028 ± 0.002 IN]	D 5

- △ RECOMMENDED SPARE PARTS.
- 2. GREASE RAM, CAM, CAM FOLLOWER AND FEED ROD LIGHTLY.
- △ CERTAIN TERMINALS REQUIRE LUBRICATION. REFER TO THE APPLICATOR INSTRUCTION SHEET FOR MORE INFORMATION.
- 4. LUBRICATE DAILY PER THE APPLICATOR INSTRUCTION SHEET SUPPLIED WITH THE APPLICATOR.
- △ CUT TO LENGTH AT ASSEMBLY.



*** WARNING**
ON INSTALLATION, SET WIRE DISC TO LARGEST WIRE SIZE SETTING. USE OF SETTINGS BELOW MIN. REQUIRED CRIMP HEIGHT SETTING WILL CAUSE DAMAGE TO CRIMP TOOLING.

QTY	PART NO	DESCRIPTION	ITEM NO
-	1-18024-1	SCR, BHC, M5x10 (REF)	53
-	1-465184-0	LUBRICATOR ASSEMBLY (REF)	53
-	1-18024-0	SCR, BTN SKT HD CAP (M4 X 20.0)	33
-	1-18023-2	SCR, SKT HD CAP M4 X 12.0	31
-	1-1320934-6	SUPPORT, TERMINAL	34
-	1-18024-0	SCR, BTN SKT HD CAP (M4 X 20.0)	33
-	18027-2	WASHER, FLAT, REG M4	32
-	1-18023-2	SCR, SKT HD CAP M4 X 12.0	31
-	1320908-1	SPACER, STRIP GUIDE	30
-	1633073-1	STRIP GUIDE ASSEMBLY	29
-	455888-1	SPACER, CRIMPER	28
-	1-22284-0	SPRING, COMPRESSION	27
-	356835-1	LEVER, DRAG RELEASE	26
-	240792-1	DRAG, TERMINAL	25
-	1320928-1	PLATE, STRIP GUIDE	24
-	980371-4	SCR, SKT HD SHLDR 5.0 DIA X 6.0	23
-	690472-9	STRIPPER	22
-	1-18023-1	SCR, SKT HD CAP M4 X 10.0	21
-	18025-2	WASHER, SPRG LOCK, REG M4	20
-	690472-9	STRIPPER	19
-	2-1338389-1	HOLD DOWN, TERMINAL	18
-	1338684-1	SHEAR HOLDER, FRONT	17
-	-	-	16
-	-	-	15
-	-	-	14
-	-	-	13
-	3-22280-3	SPRING, COMPRESSION	12
-	356885-4	STOP, SHEAR	11
-	1320921-1	SHEAR HOLDER, FRONT, CUT	10
-	462006-1	FLOATING SHEAR, FRONT	9
-	1-1333225-6	ANVIL, COMBINATION	8
-	-	-	7
-	-	-	6
-	1-455889-4	DEPRESSOR, SHEAR	5
-	2-238011-0	BLOCK, CRIMPER SPACER	4
-	5-1213077-2	CRIMPER, INSULATION PREMIUM	3
-	455888-3	SPACER, CRIMPER	2
-	1-568176-7	CRIMPER, WIRE	1
-77	-76 -72 -71 -6 -2 -1	PART NO	DESCRIPTION



SET UP GAGE
458637-3

REV	DATE	BY	CHK	APPV
A	09JAN2007	LJL	MC	

REV	DATE	BY	CHK	APPV	DESCRIPTION	ITEM NO		
-	-	-	-	-	-	73		
-	-	-	-	-	-	72		
-	1	1	1	1	1	1338705-3	DOCUMENTATION PACKAGE	71
-	-	-	-	-	-	-	-	70
-	-	-	-	-	-	-	-	69
-	-	-	-	-	-	-	-	68
-	1	1	1	1	1	461264-5	PLATE, IDENTIFICATION	67
-	2	2	2	2	2	21017-2	SCREW, DRIVE	66
-	-	-	-	-	-	-	-	65
-	-	-	-	-	-	-	-	64
-	1	1	1	1	1	3-18031-0	SCR, SET, CUP POINT M6 X 6.0	63
-	-	-	-	-	-	-	-	62
-	2	2	2	2	2	2-18032-5	SCR, SET, FLT POINT M5 X 20.0	61
-	1	1	1	1	1	18024-7	SCR, BTN SKT HD CAP (M4 X 10.0)	60
-	1	1	1	1	1	5-18022-2	SCR, HEX HD CAP M4 X 8.0	59
-	-	-	-	-	-	-	-	58
-	-	-	-	-	-	-	-	57
-	1	1	1	1	1	1338685-1	PAWL, FEED	56
-	-	-	-	-	-	-	-	55
-	4	4	4	4	4	18024-8	SCR, BTN SKT HD CAP (M4 X 12.0)	54
-	2	2	2	2	2	1-18023-5	SCR, SKT HD CAP M4 X 25.0	53
-	-	-	-	-	-	-	-	52
-	-	-	-	-	-	-	-	51
-	-	-	-	-	-	-	-	50
-	1	1	1	1	1	18024-3	SCR, BTN SKT HD CAP (M3 X 10.0)	49
-	-	-	-	-	-	-	-	48
-	-	-	-	-	-	1338675-1	CAM, UNIVERSAL PRE FEED	48
-	-	-	-	-	-	1338676-1	CAM, UNIVERSAL POST-FEED	47
-	-	-	-	-	-	1320999-3	APPLICATOR SUBASSEMBLY, HDI	46
-	-	-	-	-	-	690191-1	PLUG, NYLON	45
-	-	-	-	-	-	1338660-3	RAM	44
-	-	-	-	-	-	-	-	43
-	-	-	-	-	-	-	-	42
-	1	1	1	1	1	2-18024-6	SCR, BTN SKT HD CAP (M8 X 25.0)	41
-	-	-	-	-	-	-	-	40
-	1	1	1	1	1	690125-1	SHIM SUB-ASSY	39
-	-	-	-	-	-	-	-	38
-	-	-	-	-	-	469367-8	SHIM	38
-	-	-	-	-	-	879103-3	FINE ADJUST HEAD ASSEMBLY	37
-	-	-	-	-	-	-	-	36
-	-	-	-	-	-	-	-	35
-	1	1	1	1	1	1-1320934-6	SUPPORT, TERMINAL	34
-	2	2	2	2	2	1-18024-0	SCR, BTN SKT HD CAP (M4 X 20.0)	33
-	1	1	1	1	1	18027-2	WASHER, FLAT, REG M4	32
-	1	1	1	1	1	1-18023-2	SCR, SKT HD CAP M4 X 12.0	31
-	1	1	1	1	1	1320908-1	SPACER, STRIP GUIDE	30
-	1	1	1	1	1	1633073-1	STRIP GUIDE ASSEMBLY	29
-	1	1	1	1	1	455888-1	SPACER, CRIMPER	28
-	2	2	2	2	2	1-22284-0	SPRING, COMPRESSION	27
-	1	1	1	1	1	356835-1	LEVER, DRAG RELEASE	26
-	1	1	1	1	1	240792-1	DRAG, TERMINAL	25
-	1	1	1	1	1	1320928-1	PLATE, STRIP GUIDE	24
-	1	1	1	1	1	980371-4	SCR, SKT HD SHLDR 5.0 DIA X 6.0	23
-	1	1	1	1	1	690472-9	STRIPPER	22
-	1	1	1	1	1	1-18023-1	SCR, SKT HD CAP M4 X 10.0	21
-	4	4	4	4	4	18025-2	WASHER, SPRG LOCK, REG M4	20
-	-	-	-	-	-	690472-9	STRIPPER	19
-	1	1	1	1	1	2-1338389-1	HOLD DOWN, TERMINAL	18
-	1	1	1	1	1	1338684-1	SHEAR HOLDER, FRONT	17
-	-	-	-	-	-	-	-	16
-	-	-	-	-	-	-	-	15
-	-	-	-	-	-	-	-	14
-	-	-	-	-	-	-	-	13
-	1	1	1	1	1	3-22280-3	SPRING, COMPRESSION	12
-	1	1	1	1	1	356885-4	STOP, SHEAR	11
-	-	-	-	-	-	1320921-1	SHEAR HOLDER, FRONT, CUT	10
-	-	-	-	-	-	462006-1	FLOATING SHEAR, FRONT	9
-	1	2	2	2	1	1-1333225-6	ANVIL, COMBINATION	8
-	-	-	-	-	-	-	-	7
-	-	-	-	-	-	-	-	6
-	1	1	1	1	1	1-455889-4	DEPRESSOR, SHEAR	5
-	1	1	1	1	1	2-238011-0	BLOCK, CRIMPER SPACER	4
-	1	2	2	2	1	5-1213077-2	CRIMPER, INSULATION PREMIUM	3
-	1	1	1	1	1	455888-3	SPACER, CRIMPER	2
-	1	2	2	2	1	1-568176-7	CRIMPER, WIRE	1

DIMENSIONS	TOLERANCES UNLESS OTHERWISE SPECIFIED	FINISH	APPROVALS	DATE
mm (IN)	0 PLC ± 2 PLC ± 3 PLC ± 4 PLC ± ANGLES ±		M. CLIFFORD	27NOV2006
MATERIAL			M. CLIFFORD	27NOV2006
HEIGHT				
CUSTOMER DRAWING				