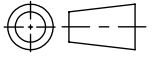
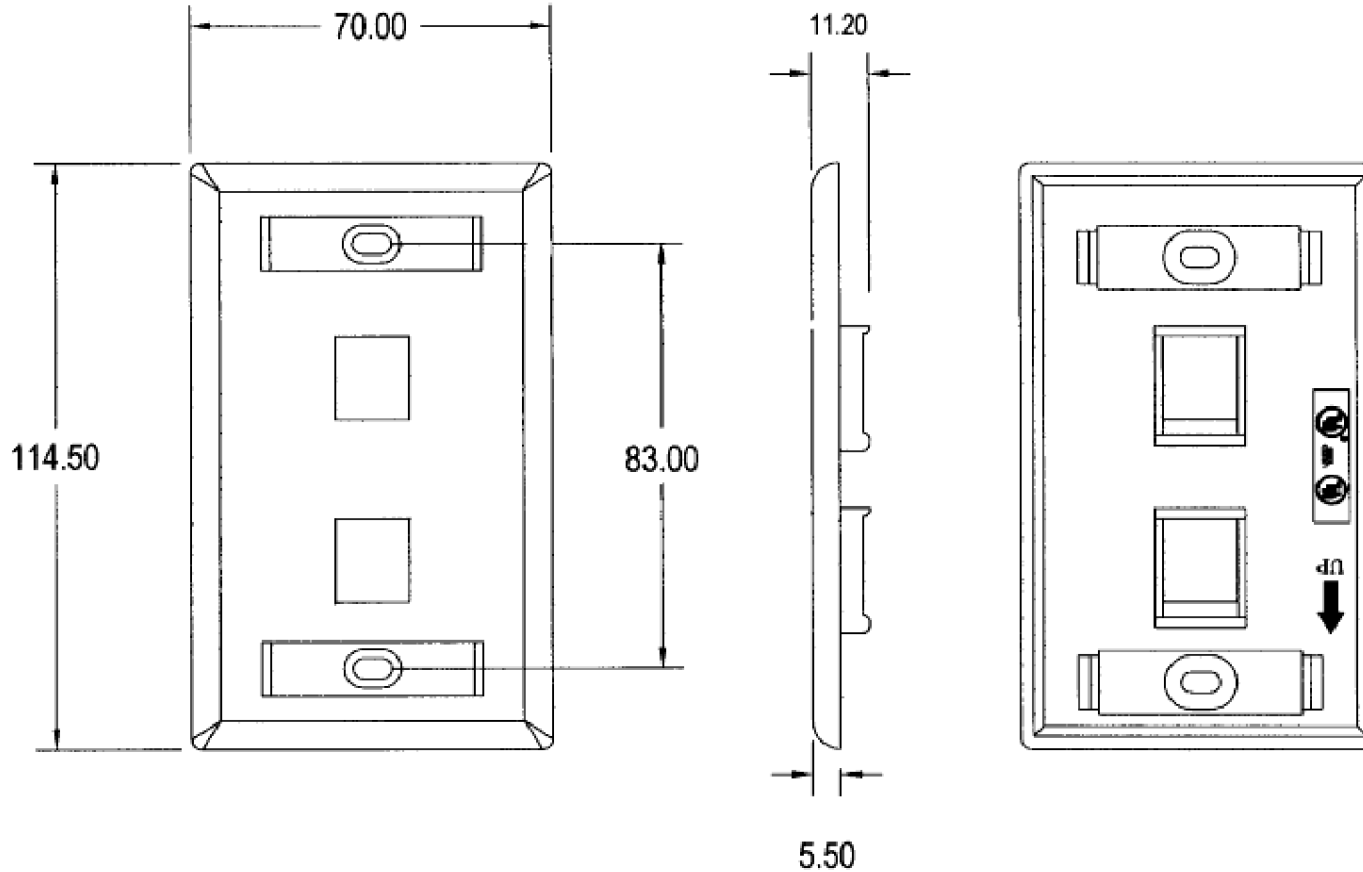


SW2014



| Revision level |                |      | Revision Record | Changed | Date      | Approved | Date      |
|----------------|----------------|------|-----------------|---------|-----------|----------|-----------|
| Drawing        | State          | Part |                 |         |           |          |           |
| <b>A.0</b>     | <b>In Work</b> |      | SEE ECN# 013164 | SNH     | 6/19/2015 | KAC      | 6/19/2015 |



Material  
ABS 94V-0

Units: **millimeters**  
 Dimension without tolerances details to:  
 .XXX = ±.013  
 .XX = ±.13  
 .X = ±.3  
 None = ±.8  
 < = ±0.5°  
 Dimension Formatted mm/[in]

The copyright of this drawing is reserved by HellermannTyton. It is issued on condition that it is not reproduced, copied, or disclosed to a third party, either wholly or in part, without the consent of HellermannTyton.

|          |     |           |
|----------|-----|-----------|
| Drawn    | SNH | 6/19/2015 |
| Approved | KAC | 6/19/2015 |

**HellermannTyton**  
 North America  
 Email: corp@htamericas.com  
 Web: www.hellermann.tyton.com

Article/Type-No FPIHDUAL  
 Title **HORIZONTAL 2 PORT FACEPLATE WITH ID WINDOWS**  
 Drawing-No : Phase  
**15-0401-001-CSU**

Scale 1:1  
 Project Number PRP 15-0401  
 Format AH  
 Sheet 1/1