

NOTE:

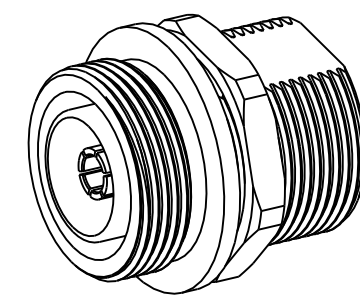
1. ELECTRIC PERFORMANCE
 IMPEDANCE (Ω) : 50
 FREQUENCY RANGE : DC-6 GHz
 VSWR : ≤ 1.065 (DC-3GHz)
 : ≤ 1.10 (3-6GHz)
 INSERT LOSS (dB) : < 0.1
 PIM (dBc) : < -160 (2X43dBm)
 INSULATION RESISTANCE (M Ω) : 10000
 PROOF VOLTAGE (V) : 3000
 CONDUCTOR RESISTANCE (m Ω) : OUTER CONDUCTOR <0.2
 INNER CONDUCTOR <0.8

- II. MECHANICAL PERFORMANCE
 MECHANICAL WEAR : 500

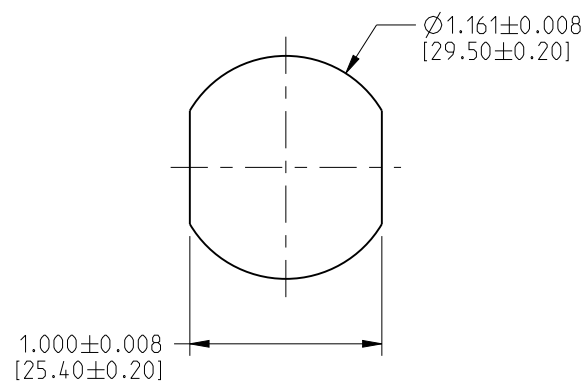
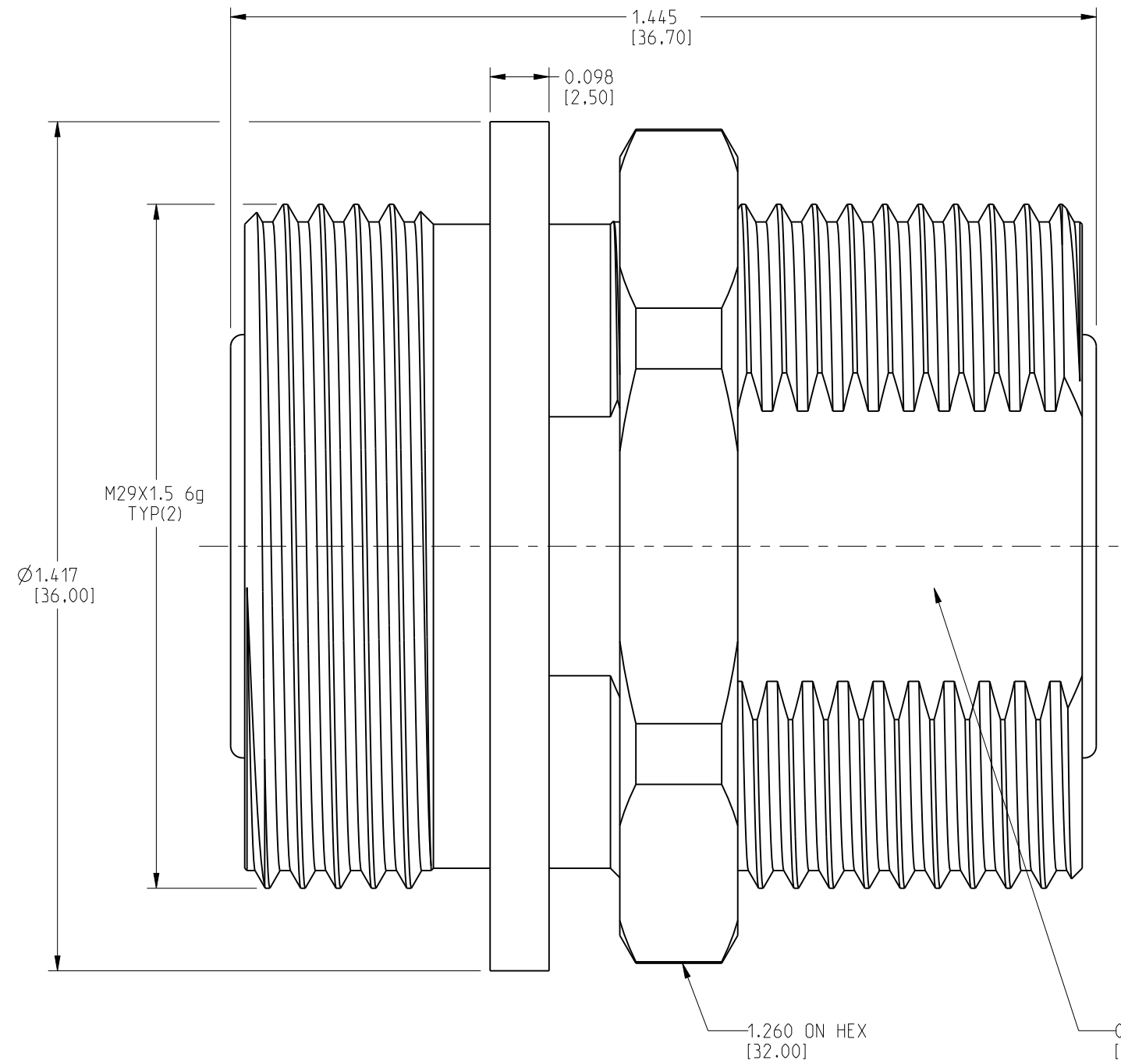
- III. MATERIAL AND PLATING
 OUTER CONDUCTOR : BRASS PLATING COPPER-TIN-ZINC 2 μ m
 INNER CONDUCTOR : SPRING COPPER PLATING Ag 5 μ m
 INSULATION : PTFE
 BULKHEAD NUT : BRASS COPPER-TIN-ZINC 2 μ m

- IV. ENVIRONMENT
 TEMP RANGE : -55°C TO +155°C
 WEATHER STANDARD : IP67
 ROHS COMPLIANT

272301		REVISIONS			
DRAWING NO.	REV	DESCRIPTION	DATE	ECO	APPR
THIRD ANGLE PROJ.	A	RELEASE TO MFG.	01-Oct-12	--	AAP



SCALE 1.000



RECOMMENDED MOUNTING HOLE DIMENSIONS

4	NUT	BRASS	WHITE BRONZE	1
3	INNER CONDUCTOR	SPRING COPPER	SILVER	1
2	INSULATOR	PTFE	NATURAL	1
1	OUTER CONDUCTOR	BRASS	WHITE BRONZE	1
NO	DESCRIPTION	MATERIAL	FINISH	QTY

UNLESS OTHERWISE SPECIFIED, DIMENSIONS ARE IN INCHES AND TOLERANCES ARE: 2 PLACE DECIMAL ±.015 (0,381 mm) 3 PLACE DECIMAL ±.005 (0,127 mm) ANGLES ± 1°	MATERIAL	SEE NOTES	DRAWN	A ARUN PRABU	DATE	01-Oct-12	TITLE 7/16 FEMALE TO FEMALE BULKHEAD ADAPTER LOW PIM	Amphenol Connex		
	REFERENCE		ENGINEER	A ARUN PRABU	DATE	01-Oct-12				
NOTICE - These drawings, specifications, or other data (1) are, and remain the property of Amphenol Corp. (2) must be returned upon request; and (3) are confidential and not to be disclosed to any person other than those to whom they are given by Amphenol Corp. The furnishing of these drawings, specifications, or other data by Amphenol Corp., or to any other person to anyone for any purpose is not to be regarded by implication or otherwise in any manner licensing, granting rights or permitting such holder or any other person to manufacture, use or sell any product, process or design, patented or otherwise, that may in any way be related to or disclosed by said drawings, specifications, or other data.			APPROVED		DATE		SCALE: 4.0:1	SHEET 1 OF 1		
				CAD FILE		DWG SIZE	B	DRAWING NO.	272301	REV