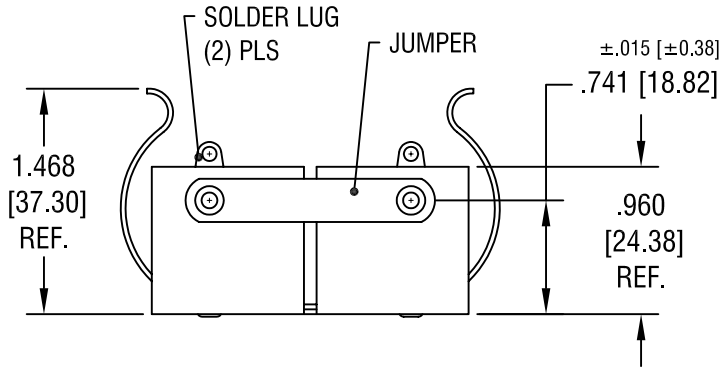
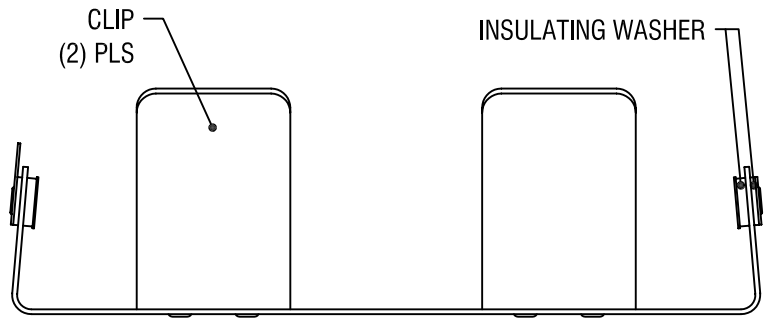
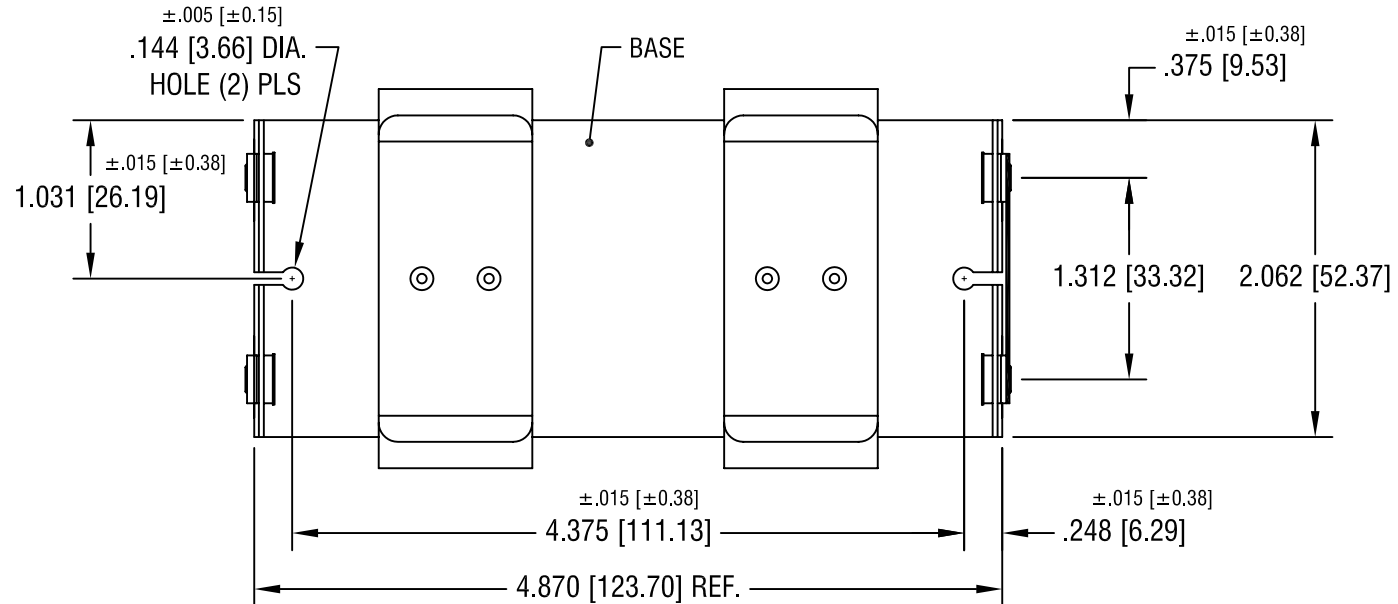


DATE	DESCRIPTION	REV.
10.2.83	REVISED	A



- NOTES:
- 1. BASE: MAT'L - .032 [.81] TH'K ALUMINUM
  - CLIP: MAT'L - .032 [.81] TH'K ALUMINUM
  - SOLDER LUG: MAT'L - BRASS
  - FINISH - TIN PLATE
  - JUMPER: MAT'L - BRASS
  - FINISH - TIN PLATE

THIS DOCUMENT IS THE PROPERTY OF KEYSTONE ELECTRONICS CORP. AND SHALL NOT BE REPRODUCED, DISTRIBUTED OR USED AS A BASIS FOR MANUFACTURE WITHOUT PRIOR WRITTEN PERMISSION FROM KEYSTONE ELECTRONICS CORP.

<b>KEYSTONE ELECTRONICS CORP.</b>			
ASTORIA, N.Y. 11105-2017			
PART NAME			
BATTERY HOLDER, (4) 'D' CELLS			
MATERIAL			
AS NOTED			
FINISH		DRN BY	DATE
AS NOTED		BOONE	12.31.81
		APPD	SCALE
		LN	.8X
TOLERANCES	INCH [MM]	CODE	DWG NO.
DECIMAL	± .010 [± 0.25]	C	158
ANGULAR	± 1°		
UNLESS OTHERWISE SPECIFIED			