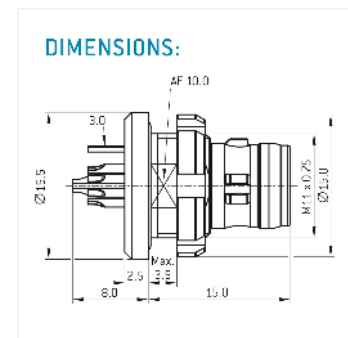
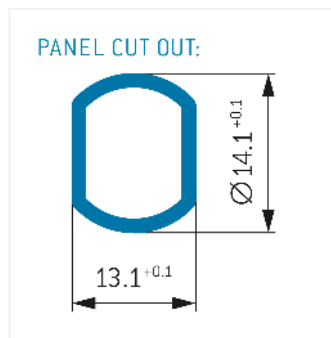
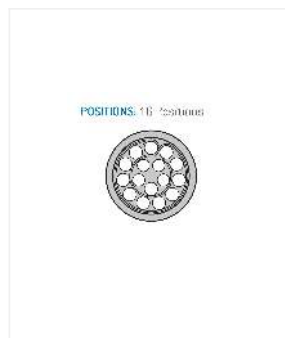
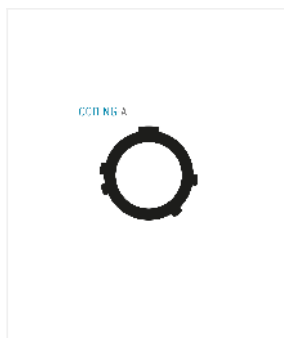


**General information**

<b>Part number</b>	GW1YAR-P16WDD0-ROOL
<b>Termination</b>	solder
<b>Size</b>	1
<b>Locking principle</b>	break , push
<b>Coding</b>	a_key_amc
<b>Cable Diameter</b>	cable_amc_1



**Contact insert description**

<b>Number of contacts</b>	16
<b>Contact type</b>	flat_contact
<b>Contact diameter</b>	06mm
<b>Insulator material</b>	peek
<b>Wire cross section</b>	26_awg
<b>Termination</b>	solder
<b>Termination diameter</b>	065mm

reverse\_gender\_on\_request

**Technical information**

<b>Nominal current single contact</b>	02_a	iec_60512_5_2
<b>Nominal current insert</b>	1 A	vde_0298_4
<b>Test voltage</b>	06_kv_ac	eia_364_20f

safety\_text

**Mechanical and environmental data**

<b>Degree of protection*</b>	ipsk8_ip6k9k
<b>Operating temperature</b>	51_125_c
<b>Mating cycles</b>	5000

mated

### Material and surface treatments

<b>Housing</b>	ruthenium
<b>Contact</b>	cu_alloy_gold

safety\_text\_2  
ul\_text  
illustrative\_text