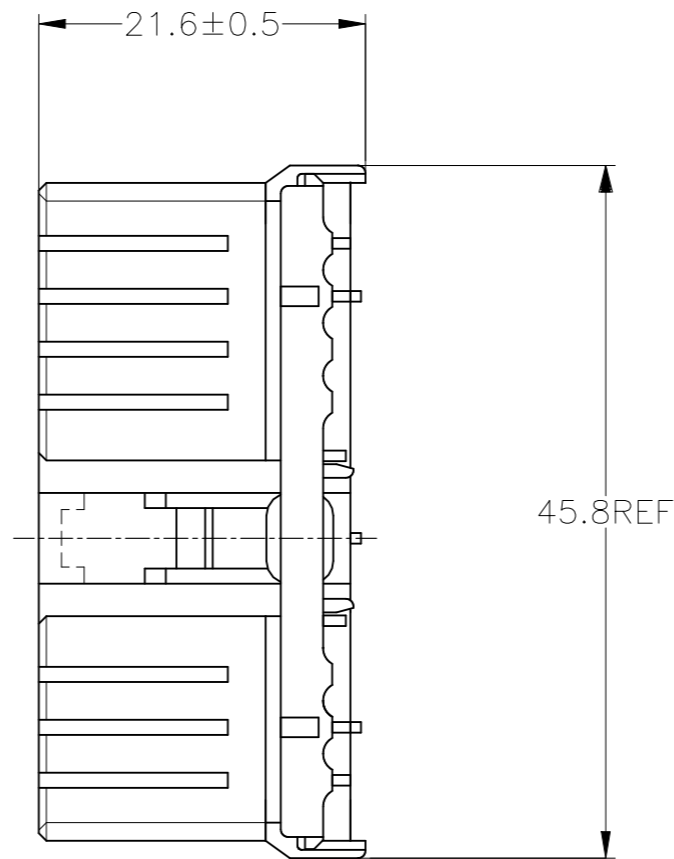
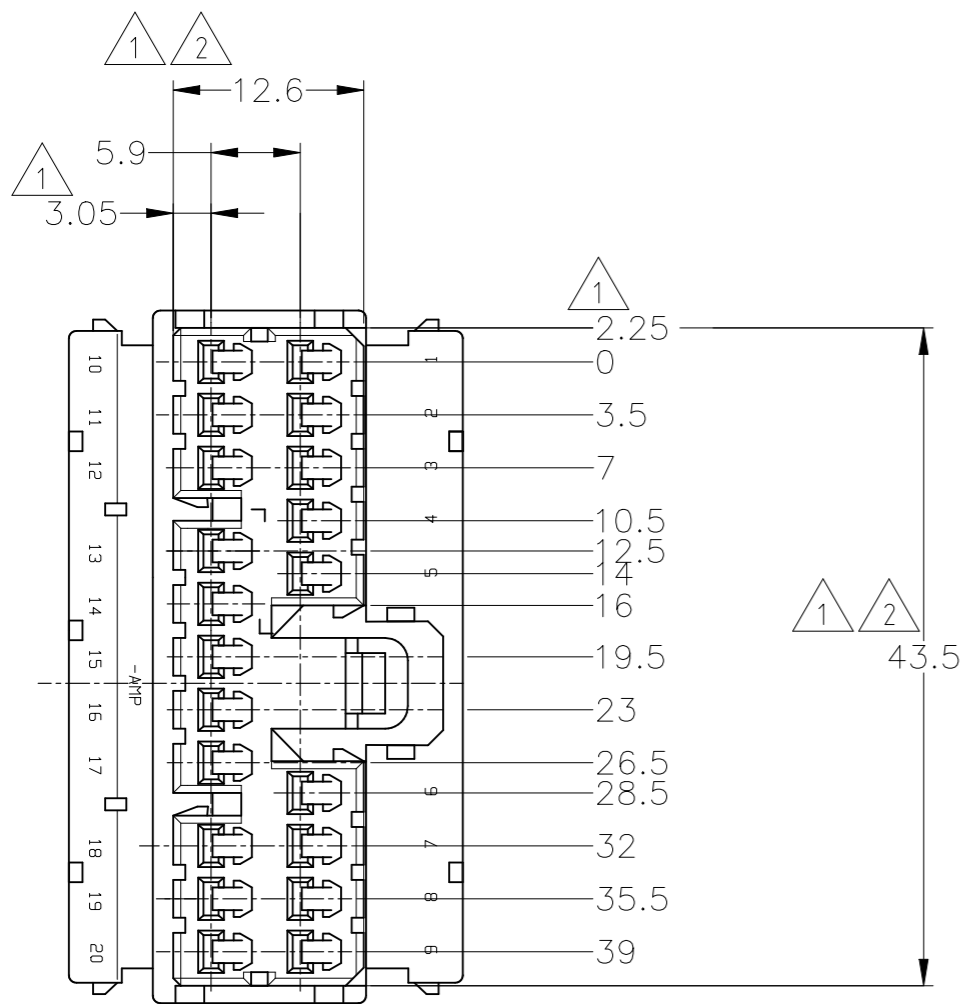
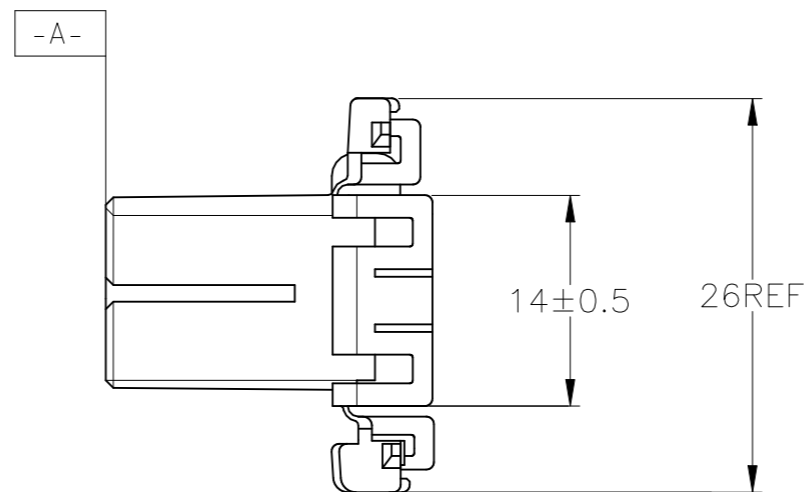


REVISIONS					
P	LTR	DESCRIPTION	DATE	DWN	APVD
	E5	REVISED ECR-19-009995	04OCT2019	DM	HK
	E6	REVISED PER ECR-22-154022	24NOV2022	RK	MT



1. MUST BE KEPT BETWEEN -A- AND 2
2. TO BE MATED WITH PLUG HOUSING SMOOTHLY
3. APPLIED TAB CONTACT; P/N 173630 AND 173631
4. APPLIED CAP HOUSING; P/N 174936 etc

1. -A- 面より2mmの範囲で測定
2. 相手ハウジングと所定の機能を満足して嵌合できること
3. 内装するタブコンタクトは型番173630、173631
4. 嵌合相手ハウジング型番174936 他



OBSELETE

V-2	自然色 (NATURAL)	1-174952-1
	黄 (YELLOW)	174952-7
	灰 (GRAY)	174952-6
	青 (BLUE)	174952-5
HB	緑 (GREEN)	174952-4
	黒 (BLACK)	174952-2
	自然色 (NATURAL)	174952-1
使用材料難燃グレード (FLAMMABILITY OF MATERIAL)		色 (COLOR)
		型番 (PART NUMBER)

THIS DRAWING IS A CONTROLLED DOCUMENT.		DWN S.FUJITA 09DEC08	TE Connectivity 070 SERIES MULTILOCK CONNECTOR 20POSITION PULG HOUSING		
DIMENSIONS: mm		CHK K.BETSUI 09DEC08			
TOLERANCES UNLESS OTHERWISE SPECIFIED:		APVD K.BETSUI 09DEC08			
0 PLC ± - 1 PLC ± - 2 PLC ± - 3 PLC ± - 4 PLC ± - ANGLES ± - FINISH -		PRODUCT SPEC -			
TOLERANCES UNLESS OTHERWISE SPECIFIED: 一般公差		MATERIAL PBT	APPLICATION SPEC -	NAME	RESTRICTED TO
10± : ±0.2 30± > 10 : ±0.25 > 30 : ±0.3 ANGLE : 3°		WEIGHT 7.8 g	SIZE A3	CAGE CODE 00779	DRAWING NO C-174952
CUSTOMER DRAWING			SCALE 2:1	SHEET 1 OF 1	REV E6