

Style

M12 Socket
6 pin
A-coding

Ratings

Voltage: 30 V
Current: 2 A

Operating Temperature Range

-40 ~ 85 °C

Materials

- ① Insulator: TPU, black
- ② Pin: C3604 brass, gold plated
- ③ Shell: C3604 brass, nickel plated
- ④ O-ring: Nitrile rubber, green
- ⑤ Stopper: C3604 brass

Electrical Requirements

Dielectric strength: 1 min @ 500 Vac
Insulation resistance: 100 MΩ @ 500 Vdc
Contact resistance: 10 mΩ or less

Mechanical Requirements

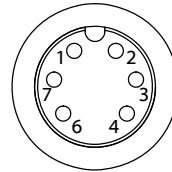
Life cycle: 500 mating cycles minimum

Environmental Requirements

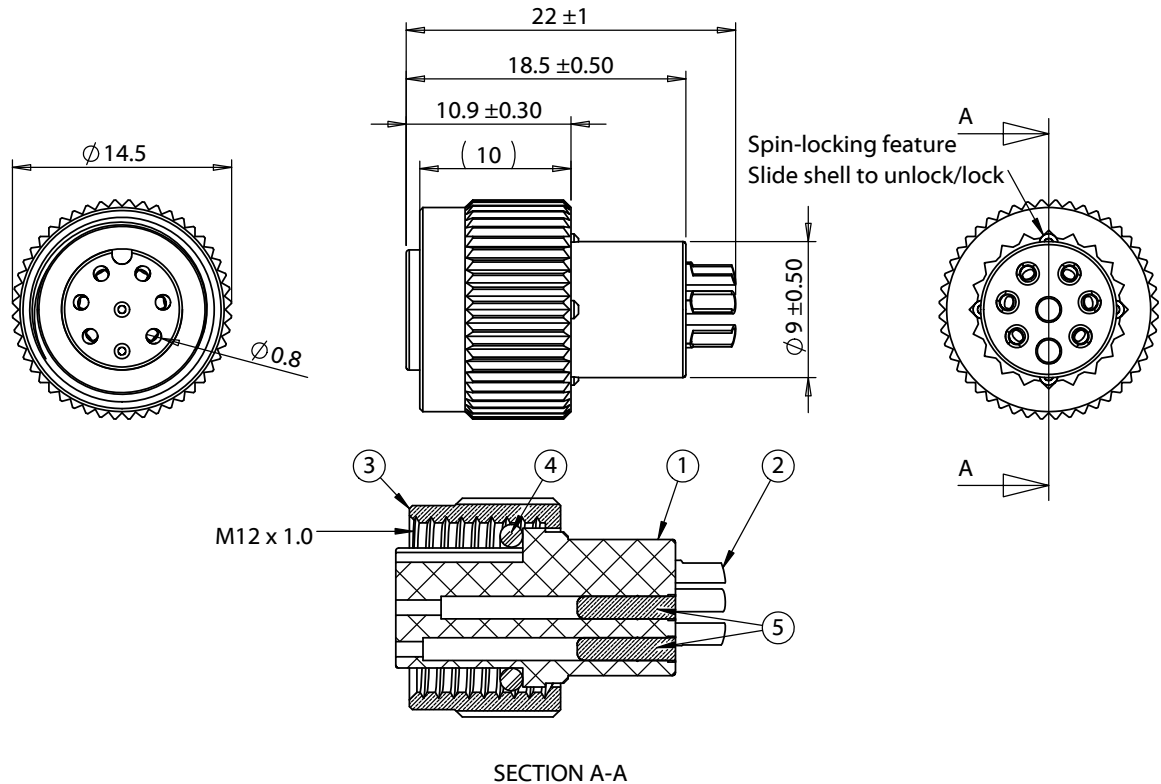
Salt spray test: 35 °C, relative humidity 90-95%, 5% NaCl mist for 48 hrs. Wash parts after test. Maintain mechanical requirements and a contact resistance of less than 10 mΩ.
Waterproof: IP67

Assembly Info

Wire gauge: 24 AWG max



Front View
Not to Scale



Revision:	Date:	Description:	Prepared:	Notes:	<h1>TENSILITY</h1> tel 1.541.323.3228 800 877.670.7118 fax 1.541.323.4202 web tensility.com	
A	8/4/2020	Initial release	AW <small>Digitally signed by AW Date: 2020.10.12 12:57:12 -07'00'</small>	RoHS compliant		
			Verified:	Function test: no open, no short circuit, no intermittent	Size: Part number: A 50-00968	
			AG <small>Digitally signed by AG Date: 2020.10.14 12:05:17 -07'00'</small>	Description: Connector, 6 pin M12 A-code socket, 12xL22mm, gold plated, molding style, solder cup, IP67		
			Dimensions are in millimeters. Tolerances: X: ± 0.3 mm X.X: ± 0.1 mm X.XX: ± 0.05 mm		Scale: 2:1	
						Sheet 1 of 1