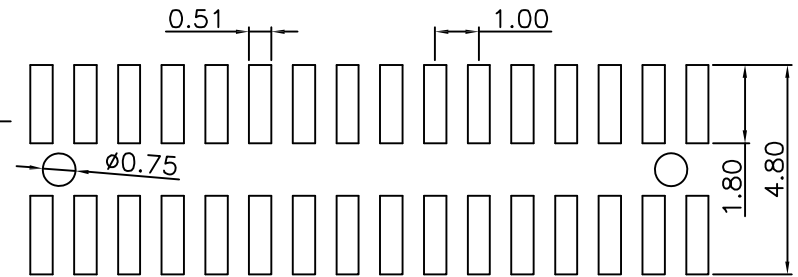
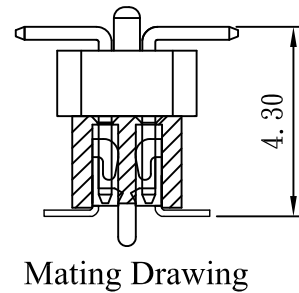
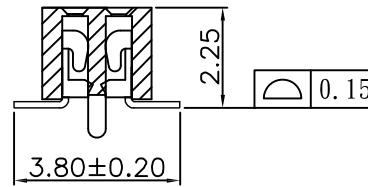


Compliance with:  
 PCIe4.0(16GTS),  
 USB3.2 Gen2(10Gbps),  
 USB3.2 Gen1(5Gbps).  
 Mating with:  
 "PHBD-SSXXXG1BBWLC-B025"  
 Mating Height: 4.30mm

REV.	DESCRIPTION	DATE
A	New Drawing	2020/02/17

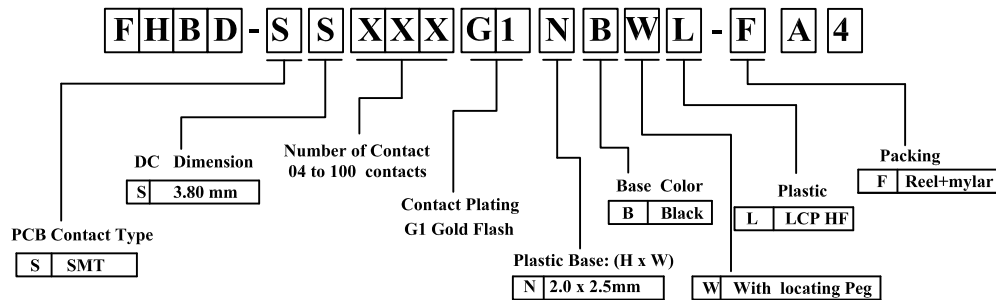
LTR	Part Name	Material	Description	QTY
1	Housing	LCP HF UL94V-0	260°C for 10 Seconds . Initial : 1000M Ohms Min. After Test : 500M Ohms Min.	1
2	Contact	Bronze	Current Rating : 0.75A Initial : 20m Ohms Max. After Test : 40m Ohms Max.	XX
3	Mylar	Polyimide Tape	250°C-SHORT TERM	1

Temperature Rating : -40°C ~ +125°C .  
 Dielectric Withstanding Voltage : 500V AC/Min .



P.C.B LAYOUT

RoHS compliant



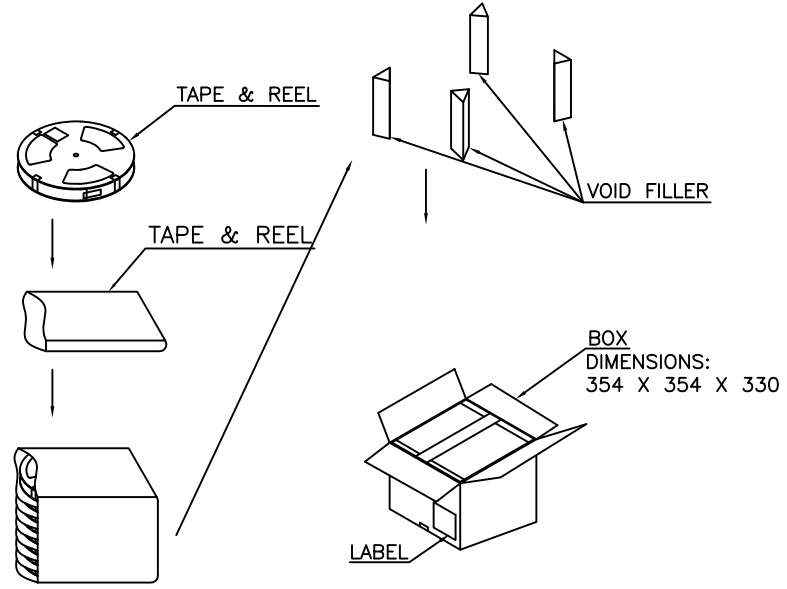
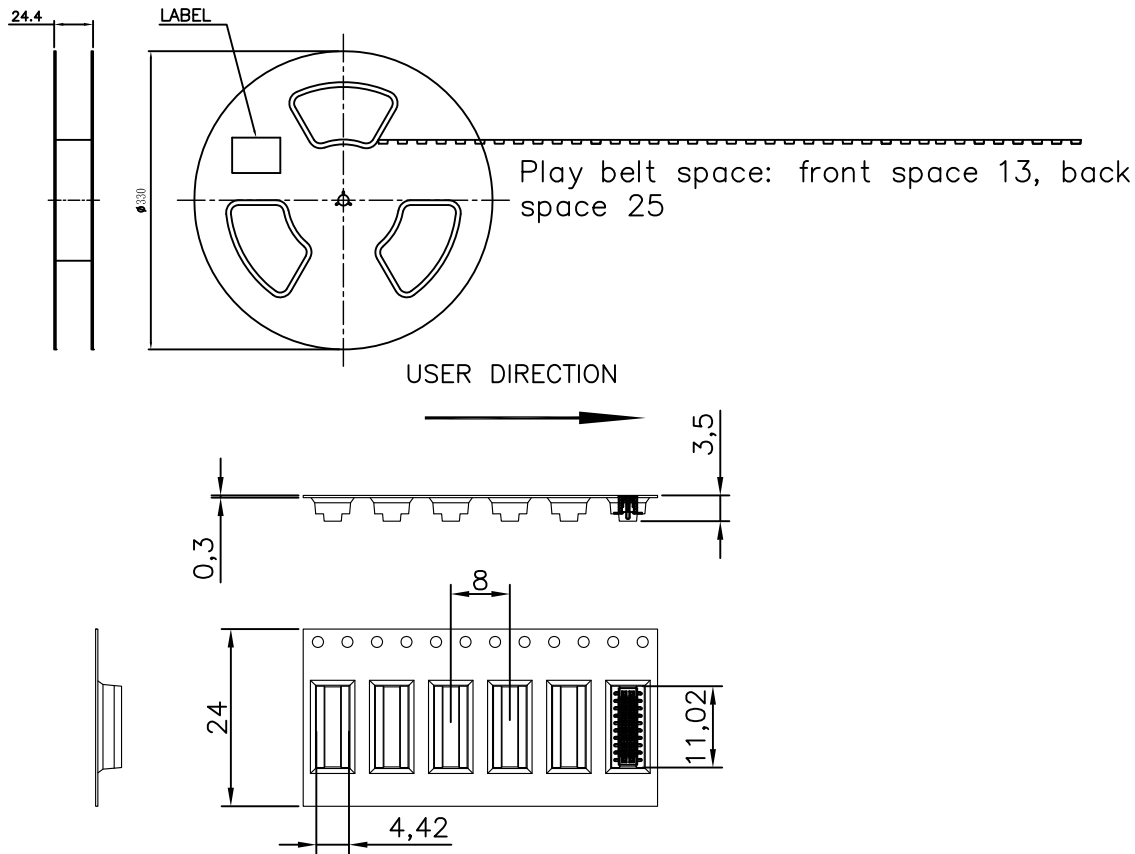
**Superior Tech Co., Ltd.**

General Tolerance		TITLE		Pitch 1.0 Female Header ,SMT Dual Row	
X. ± 0.5		DRAWN		DATE	
.X ± 0.3		Tom		02-17-20'	
.XX ± 0.2		CHECK		DATE	
.XXX ± 0.1		APPROVED		DATE	
Angle	± 5°			NO. T220	
				PART NO. FHBD-SSXXXG1NBWL-FA4	
				CUSTOMER NO. DK	

REV. A	UNIT mm	SCALE 1:1	
--------	---------	-----------	--

(Q2-R03-01A) ST-R05-07

REV.	DESCRIPTION	DATE
A	New Drawing	2022/05/30



- (1) 10 sprocket hole pitch cumulative tolerance  $\pm 0.20$ .
- (2) Carrier camber is within 1 mm in 250mm.
- (3) All dimensions meet EIA-481-C requirements.
- (4) Material: **Transparent PS** Thickness:  $0.40 \pm 0.05$  (JG-TR-400)
- (5) Reel: 13" \* 4", Carrier Length: 18.72 M/R.
- (6) Package quantity: 2300. PCS.
- (7) Not Dimension angle is  $3^\circ$ .

ITEM	W	A0	B0	K0	K1	P	F	E	D	P0	P2	T
DIM	24.0	4.4	11.0	3.5	0.000	8.0	11.5	1.75	1.50	4.00	2.00	0.3
TOLE	+0.30 -0.30	+0.10 -0.10	+0.10 -0.10	+0.10 -0.10	+0.10 -0.10	+0.10 -0.10	+0.10 -0.10	+0.10 -0.10	+0.10 -0.00	+0.10 -0.10	+0.15 -0.15	+0.05 -0.05

The number of PINs	Quantity per volume	Number of boxes / rolls	Box / quantity
2*10PIN	2300PCS/Volume	10PCS	23000PCS

**Superior Tech Co., Ltd.**

<b>General Tolerance</b>		<b>TITLE</b>	<b>FHBD-SS020G1NBWL-FA4_Packing</b>	
X. $\pm 0.5$		<b>DRAWN</b>	Tom	<b>DATE</b>
.X $\pm 0.3$				2022/05/30
.XX $\pm 0.2$		<b>CHECK</b>	<b>DATE</b>	
.XXX $\pm 0.1$				<b>PART NO.</b>
Angle $\pm 5^\circ$		<b>APPROVED</b>	<b>DATE</b>	
				<b>FHBD-SS020G1NBWL-FA4</b>
				<b>CUSTOMER NO.</b>
				<b>DK</b>

REV.	UNIT	SCALE	
A	mm	1:1	

(Q2-R03-01A) ST-R05-07