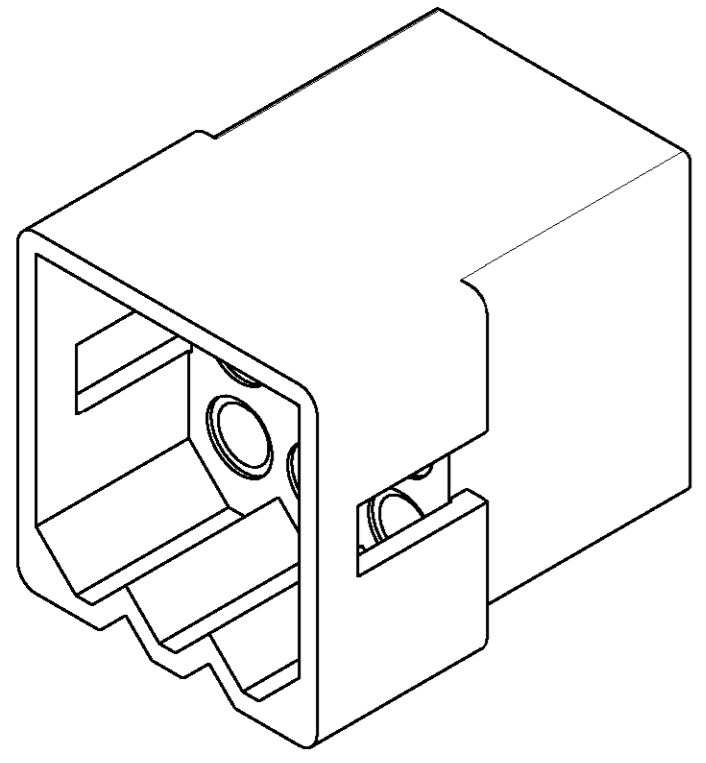
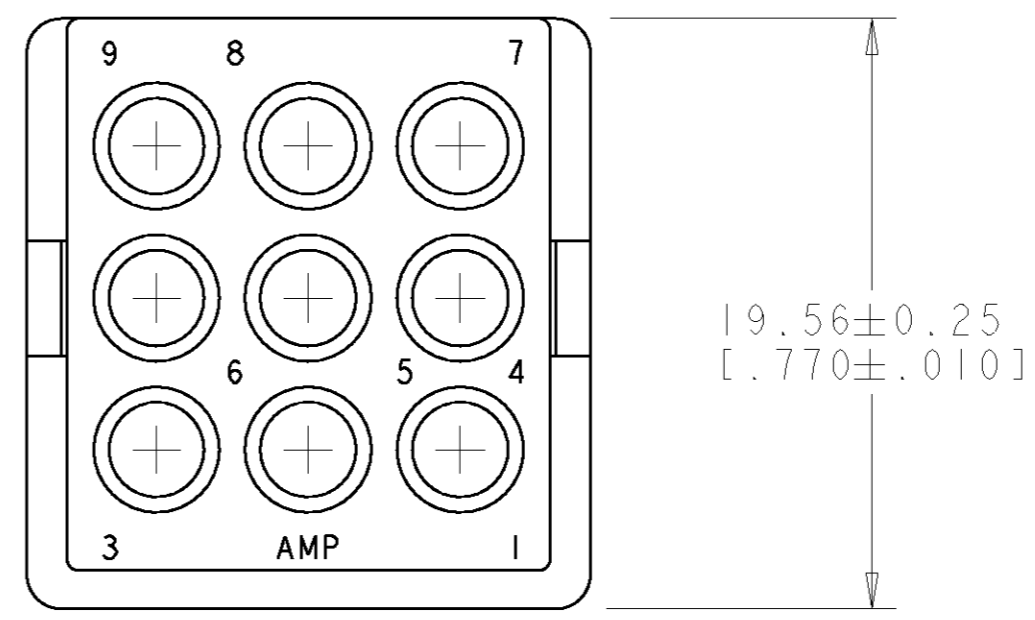
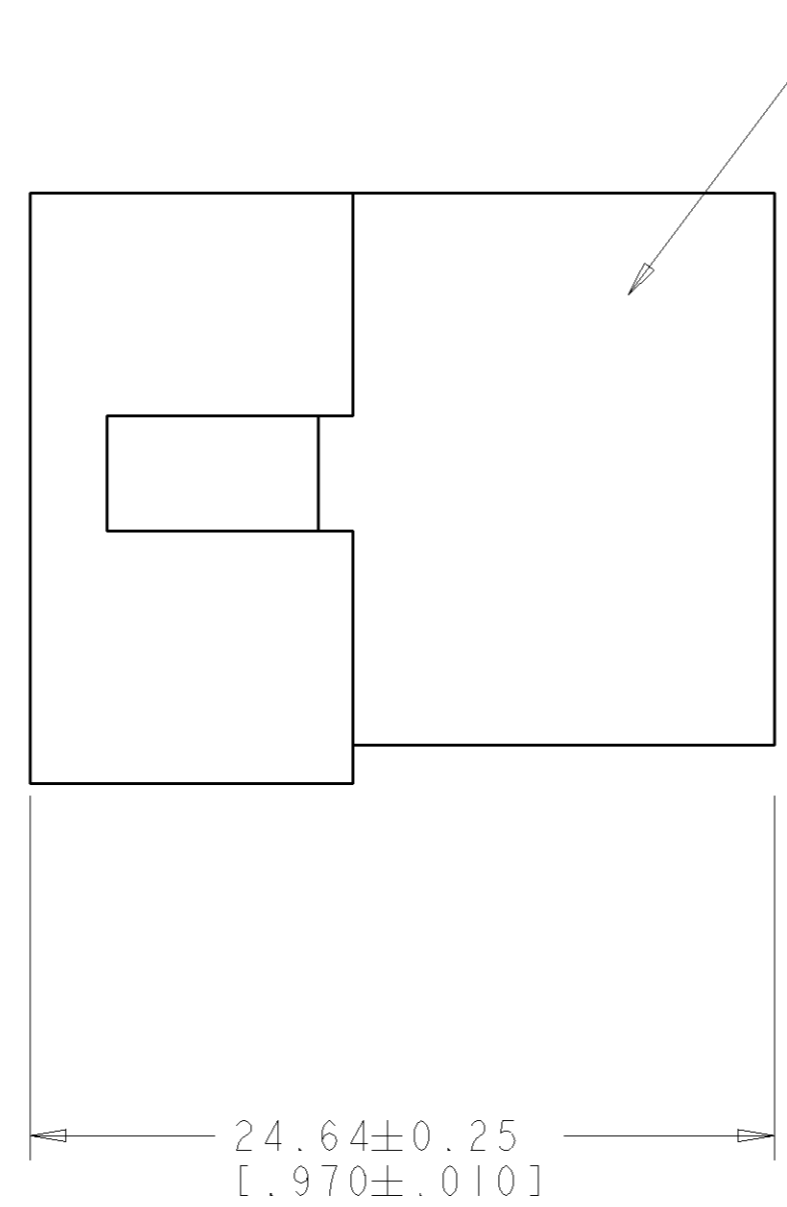
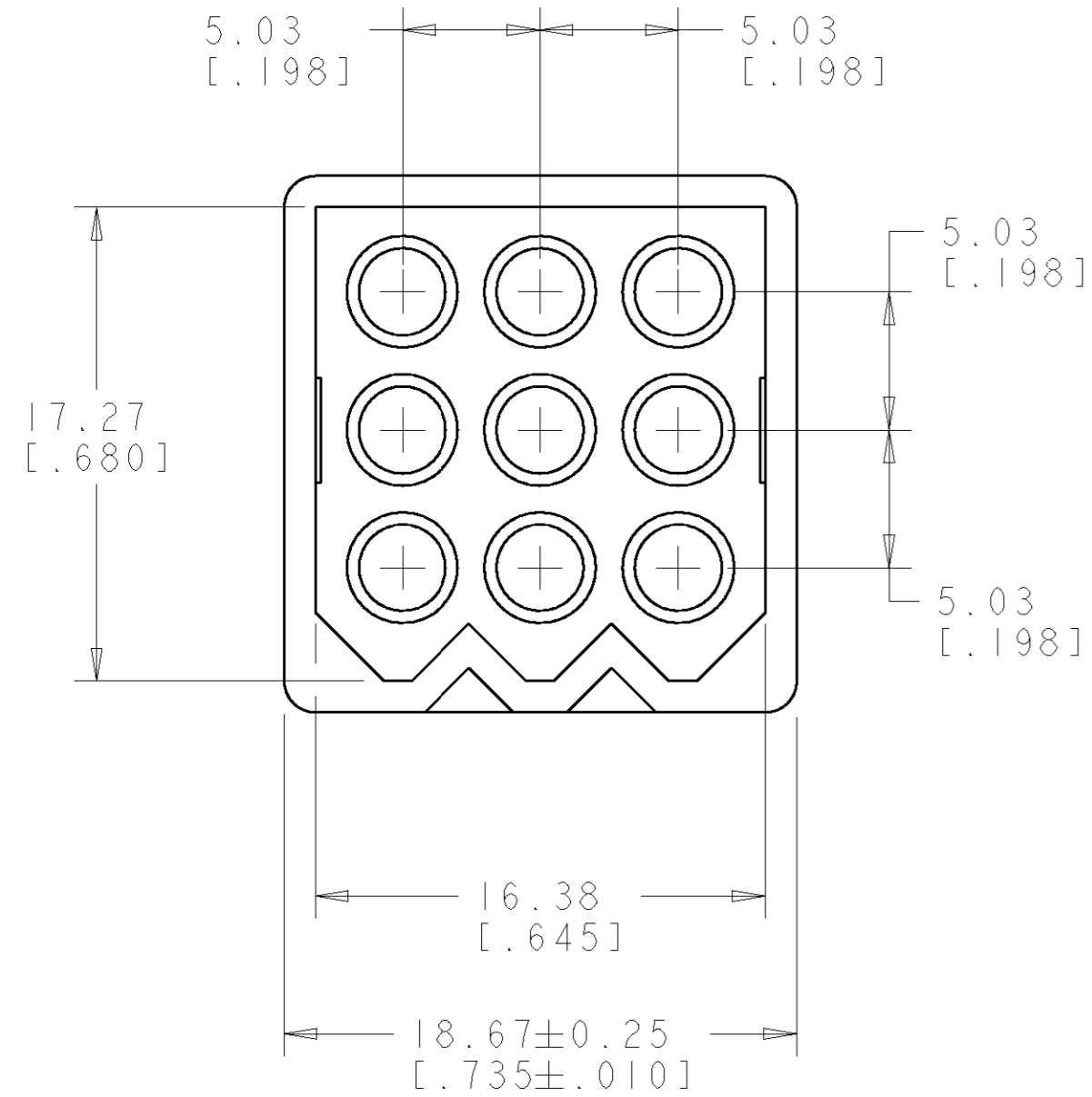


THIS DRAWING IS UNPUBLISHED. RELEASED FOR PUBLICATION 20  
 © COPYRIGHT 20 BY TYCO ELECTRONICS CORPORATION. ALL RIGHTS RESERVED.

LOC	DIST	REVISIONS					
CM	00	P	LTR	DESCRIPTION	DATE	DWN	APVD
			E	REVISED PER 063B-0087-02	21FEB2002	KW	DC

① MATERIAL: NYLON UL94V-2 (NATURAL).  
 ② MARKING FOR UL LOGO AND CSA LOGO LOCATED APPROXIMATELY AS SHOWN. (OPPOSITE SIDE OPTIONAL).



SCALE 3:1

METRIC

770096-1  
PART NUMBER

<small>THIS DRAWING IS A CONTROLLED DOCUMENT FOR TYCO ELECTRONICS CORPORATION. IT IS SUBJECT TO CHANGE AND THE CONTROLLING ENGINEERING ORGANIZATION SHOULD BE CONTACTED FOR THE LATEST REVISION.</small>		DWN K. WHITAKER 21FEB2002 CHK D. COLEY 21FEB2002 APVD D. COLEY 21FEB2002	<b>tyco</b> Electronics Tyco Electronics Harrisburg, PA 17105-3608
DIMENSIONS: mm [INCHES]	TOLERANCES UNLESS OTHERWISE SPECIFIED: 0 PLC ± 1 PLC ± 2 PLC ±0.13 [.005] 3 PLC ± 4 PLC ± ANGLES ±0°30' FINISH -	PRODUCT SPEC - APPLICATION SPEC - WEIGHT -	NAME PLUG, 9 CIRCUIT, COMMERCIAL PIN AND SOCKET
MATERIAL		CUSTOMER DRAWING	SIZE A2 CAGE CODE 00779 DRAWING NO. 770096 RESTRICTED TO -
		SCALE 4:1	SHEET 1 OF 1 REV E