

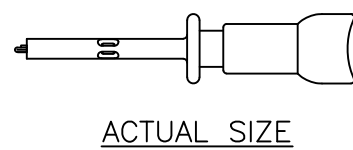
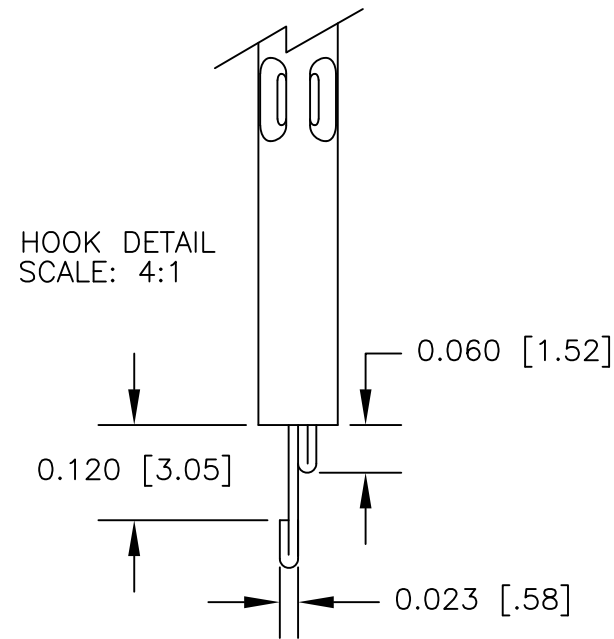
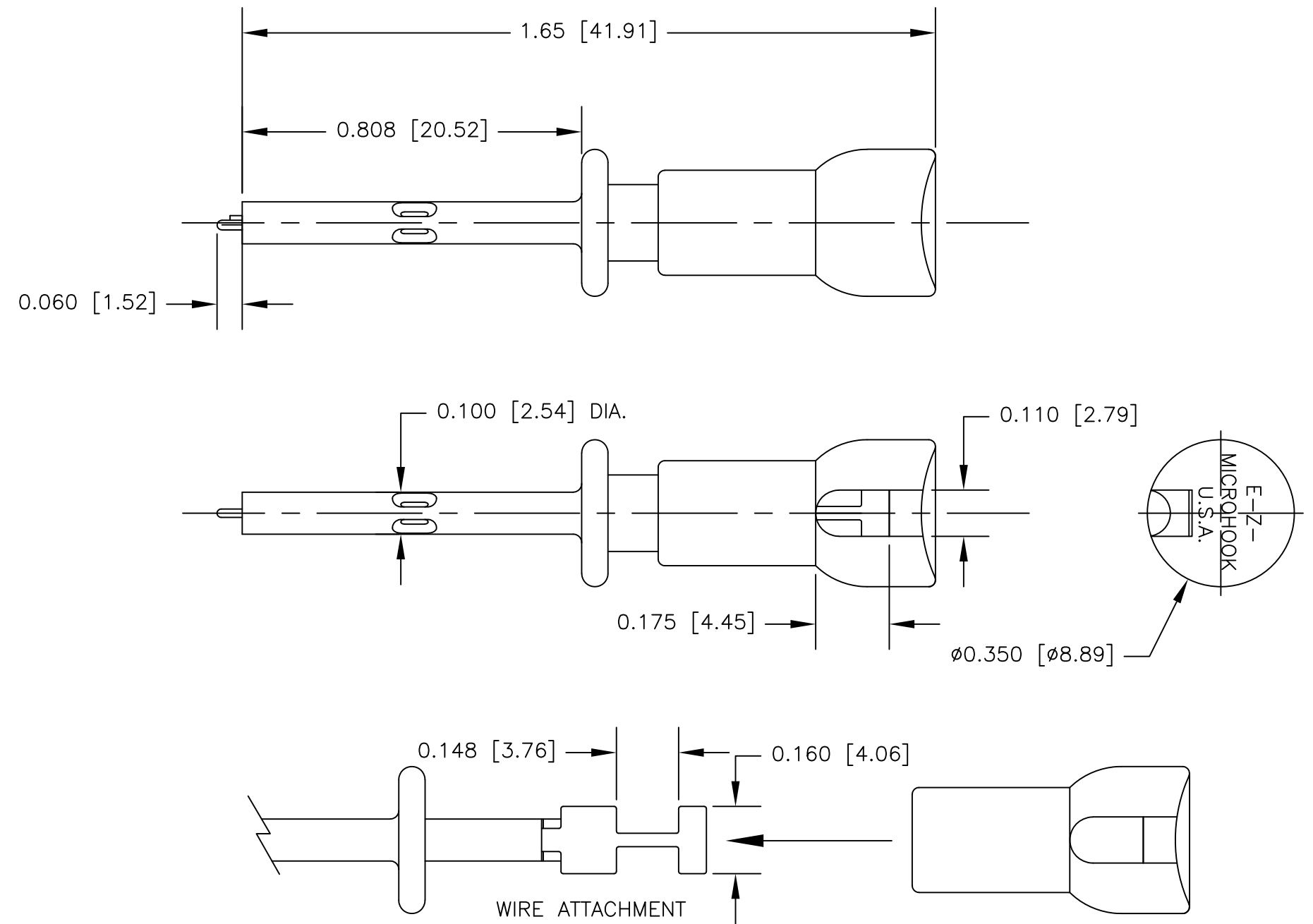
NOTES: UNLESS OTHERWISE SPECIFIED

1. CONSTRUCTION:
 HOUSING & PLUNGER: NYLON. AVAILABLE IN 10 COLORS
 CONTACT BLADE: GOLD PLATED BeCu
 SPRING: STAINLESS STEEL

2. PERFORMANCE:
 MAXIMUM CURRENT: 4.4 AMPS WITH A 76°F TEMPERATURE RISE.
 MAXIMUM VOLTAGE: 2.4 kV
 MAXIMUM TEMPERATURE: 200°F (93°C)

3. FEATURES:
 SLIPS INTO PC BOARD TEST POINT HOLES AND LOCKS ONTO THE BOARD
 FITS HOLE $\phi 0.040$ [$\phi 1.02$] TO $\phi 0.042$ [$\phi 1.07$].
 FIELD SERVICEABLE.

LTR	REVISIONS		DATE	APPROVED
	DESCRIPTION			



		UNLESS OTHERWISE SPECIFIED DIMENSIONS ARE IN INCHES TOLERANCES ARE: FRACTIONS DECIMALS ANGLES ± N/A .XX ± N/A ± N/A .XXX ± N/A	CONTRACT NO.		E-Z-HOOK DIVISION OF TEKTEST INC. ARCADIA, CA 91006 U.S.A.
			APPROVALS	DATE	
		MATERIAL SEE NOTES	DRAWN R.L.	7/09	DESCRIPTION E-Z-HOOK MICRO-LOCK HOOK CONNECTOR
		FINISH SEE NOTES	APPROVED BY		SIZE CODE IDENT NO. DRAWING NO. REV.
NEXT ASSY	USED ON				B 08505 XG40
APPLICATION		DO NOT SCALE DRAWING			SCALE 3:1 SHEET 1 OF 1