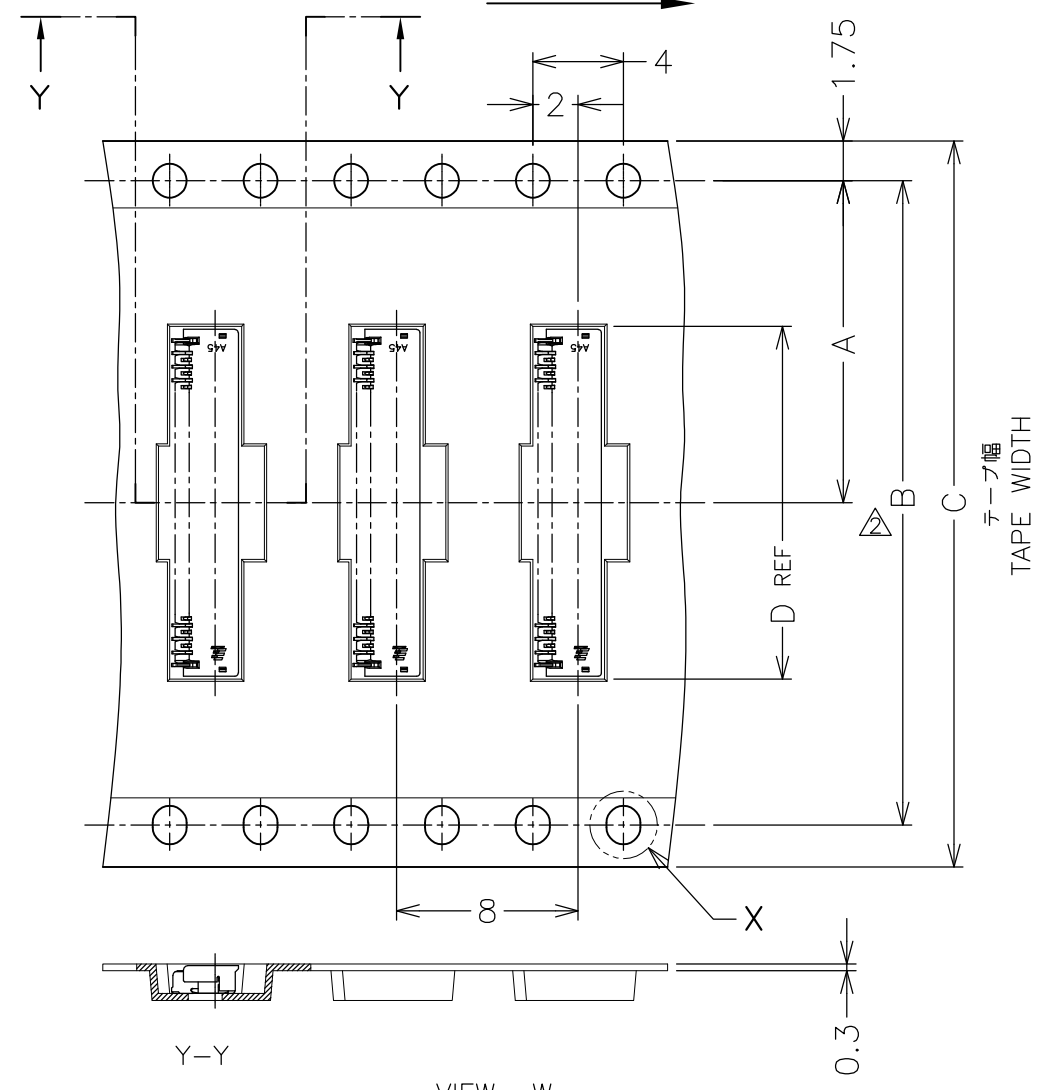


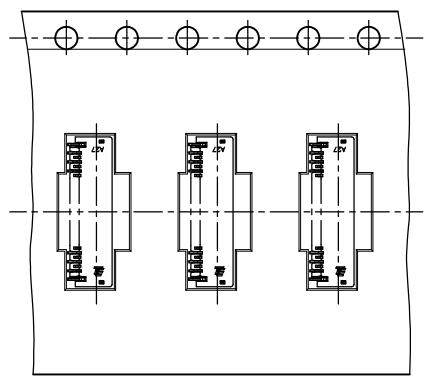
THIS DRAWING IS UNPUBLISHED. RELEASED FOR PUBLICATION  
 © COPYRIGHT - By - ALL RIGHTS RESERVED.

LOC	DIST	REVISIONS					
J	-	P	LTR	DESCRIPTION	DATE	DWN	APVD
		E		REVISED PER ECR-11-008941	28JUL11	T.T	T.M

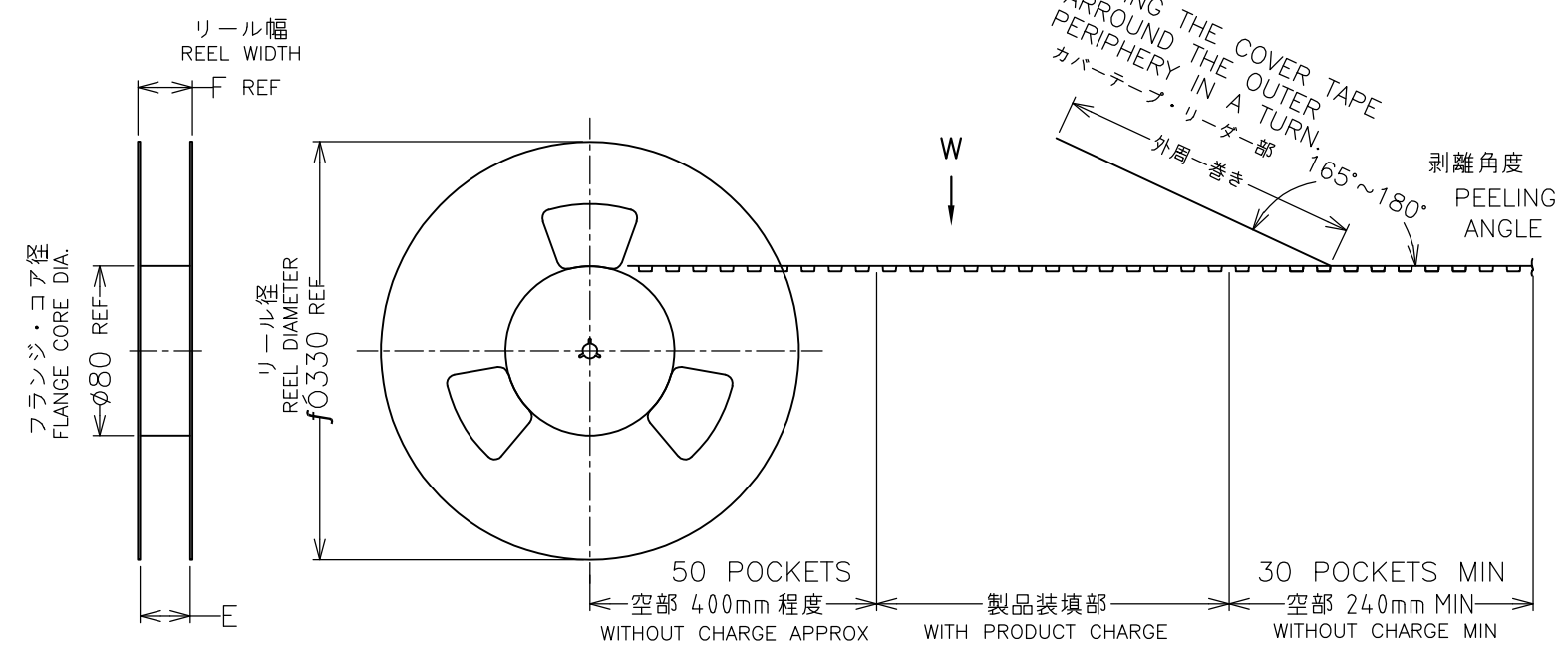
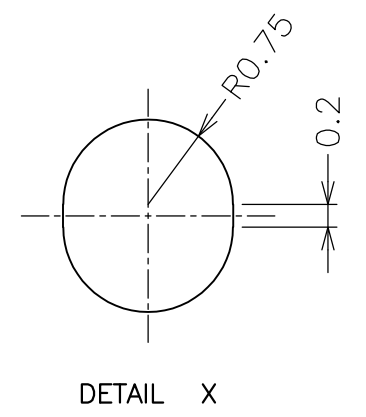
リール引出し方向  
DIRECTION OFF TOP OF REEL



VIEW W  
テープ幅 32mm以上に適用  
APPLIED TAPE WIDTH 32MM, MORE.



VIEW W  
テープ幅 12mm, 16mm, 24mm に適用  
APPLIED TAPE WIDTH 12MM, 16MM AND 24MM.



- △ GENERAL TOLERANCE  
 10 ≥ : ±0.2  
 30 ≥ > 10 : ±0.25  
 100 ≥ > 30 : ±0.3  
 ANGLES: ±3°
- △ DIM. B AND DETAIL "X" APPLIED  
 TAPE WIDE, 32mm MORE.
- △ 一般公差  
 10以下: ±0.2  
 10を越え 30以下: ±0.25  
 30を越え 100以下: ±0.3  
 角度: ±3°
- △ B寸法及び"X"詳細図は、  
 テープ幅 32mm以上に適用

OBSOLETE	AVAILABLE	0.102g	30.4	24.4	17.35	24	—	11.5	4000	51	2-2013496-1
	AVAILABLE	0.090g	30.4	24.4	15.55	24	—	11.5	4000	45	1-2013496-8
	AVAILABLE	0.083g	30.4	24.4	14.35	24	—	11.5	4000	41	1-2013496-6
	AVAILABLE	0.080g	30.4	24.4	13.75	24	—	11.5	4000	39	1-2013496-5
	AVAILABLE	0.066g	30.4	24.4	11.35	24	—	11.5	4000	31	1-2013496-1
	AVAILABLE	0.062g	30.4	24.4	10.75	24	—	11.5	4000	29	1-2013496-0
	AVAILABLE	0.059g	30.4	24.4	10.15	24	—	11.5	4000	27	2013496-9
OBSOLETE	AVAILABLE	0.048g	22.4	16.4	8.35	16	—	7.5	4000	21	2013496-6
STATUS	CONNECTOR WEIGHT	DIMENSIONS							数量 (ヶ) QTY/REEL	POS.(N)	EMBOSS TAPE PACKAGING PART NUMBER
		F	E	D	C	B	A				

THIS DRAWING IS A CONTROLLED DOCUMENT.

DIMENSIONS: mm	TOLERANCES UNLESS OTHERWISE SPECIFIED: 0 PLC ± 0.3 1 PLC ± 0.3 2 PLC ± 0.3 3 PLC ± 0.3 4 PLC ± 0.3 ANGLES ± 3°	DWN Y.KODAIRA 29NOV2007 CHK T.KUSUHARA 29NOV2007 APVD T.KUSUHARA 29NOV2007	TE Connectivity 0.3FPC Narrow BF-L-1.2H 1.2mmH, 2.9mmW, GOLD PLATE	
MATERIAL SEE NOTE 3	FINISH SEE NOTE 4	PRODUCT SPEC 108-78351 APPLICATION SPEC 411-78302 WEIGHT SEE TABLE		NAME SIZE CAGE CODE DRAWING NO RESTRICTED TO A3 00779 C-2013496
CUSTOMER DRAWING		SCALE 10:1	SHEET 1 OF 2	REV E

