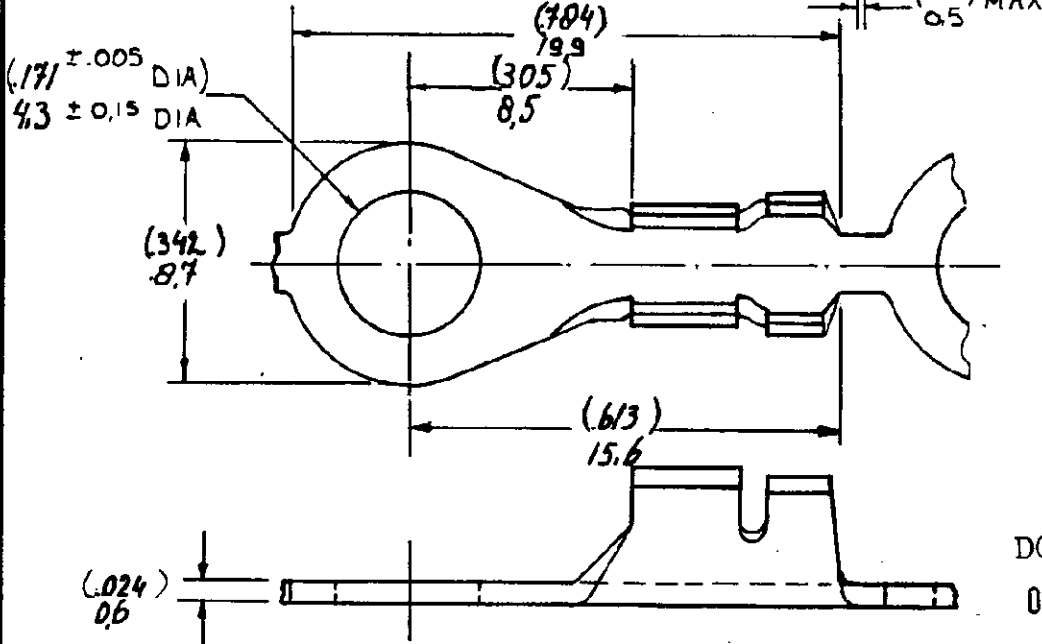
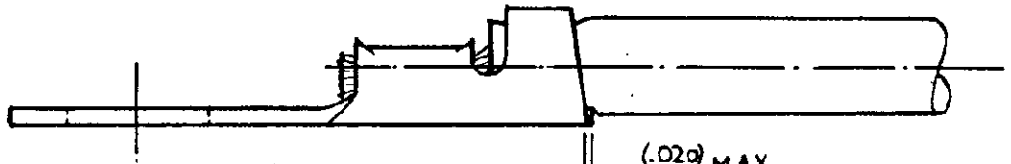
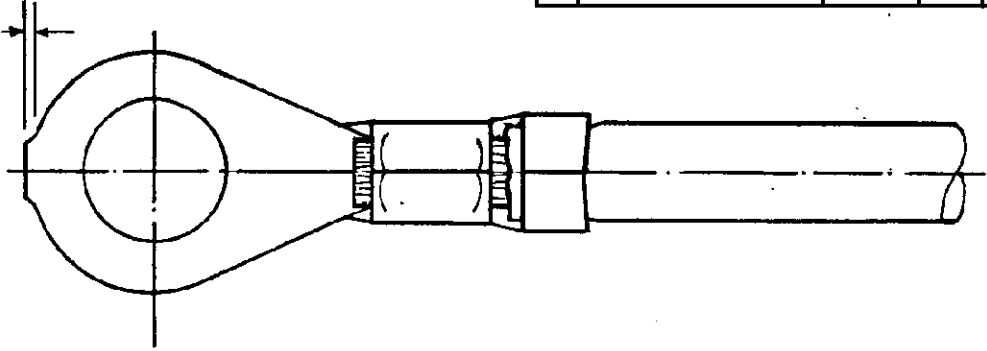


DRAWING MADE IN AMERICAN PROJECTION

LTR.	REVISION RECORD	DR.	APP.	DATE
C1	ECR-10-022530	KK	HMR	03FEB11

NUMBER 160787

(.020) MAX  
0,5



DOC. CENTRE  
03 NOV. 1994

- ⚠ REELED WITH PAPER AND WITH PAPERCOVER
- ⚠ OBSOLETE

DIMENSIONS IN MM. DO NOT SCALE PRINT

**CUSTOMER COPY FOR REFERENCE ONLY**

©1979 BY TE - HOLLAND N.V. ALL RIGHTS RESERVED TE PRODUCTS COVERED BY PATENTS AND/OR PATENTS PENDING.



TE Connectivity

160787-2	BRASS	⚠ + ⚠
160787-1	BRASS	+
ORDER NO.	MATERIAL	PLATING
DATE	DE	DATE
DATE	AP	DATE

WIRE RANGE 18 - 14 AWG 0,8 - 2,1 MM	INSUL. RANGE (.100 - .140) 2,54 - 3,56	FIRST USED
SCALE N.T.S.	LOC H	SIZE A
NAME RINGTONGUE		NO C-160787

REV  
C1