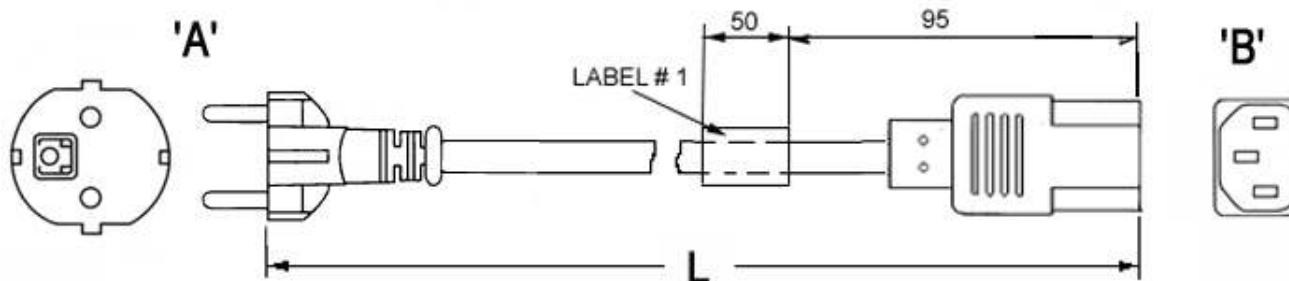


PROPRIETARY INFORMATION:
 PROPRIETARY OF GLOBTEK, INC. ANY REPRODUCTION, DISCLOSURE OR
 USE OF THIS DRAWING, IN WHOLE OR IN PART, IS HEREBY
 PROHIBITED EXCEPT AS SPECIFIED IN WRITING BY GLOBTEK,INC.

REVISION		DATE	APPROVED
REV	DESCRIPTION		
A	INITIAL RELEASE	02/07/02	BS
B	REDRAWN	04/22/03	BS

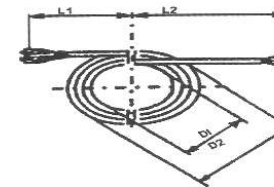
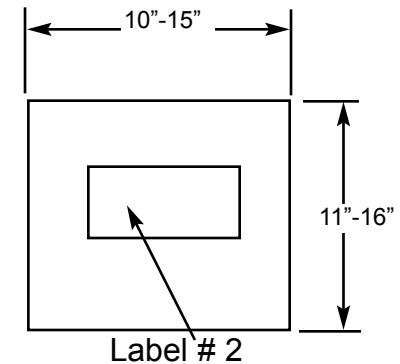


GENERAL SPECIFICATIONS:

RATING: 10A / 250V AC
 CABLE TYPE / SIZE: H05VVVF, 3 x 1.0 mm²
 TEMPERATURE RATING: 70° C
 CONDUCTOR COLORS: BLUE / BROWN / GRN-YEL
 CABLE JACKET COLOR: BLACK
 OVERALL LENGTH (L): 3700 ± 20 mm (12 Ft)
 CABLE OUTER DIAMETER: 7.1 ± 0.2 mm
 END 'A' TERMINATION: STRAIGHT TYPE CEE7/16
 END 'B' TERMINATION: IEC 320 / C13
 APPROVALS PLUG: VDE, N, S, D, FI, KEMA, UTE, CEBC, OVE, IMQ
 APPROVALS CABLE: VDE, N, S, D, FI, KEMA, SEV, CEBC, OVE,
 APPROVALS CONNECTOR: VDE, N, S, D, FI, KEMA, UTE, CEBC, OVE, IMQ, ASEV

PACKING:
 COILED

L1 (A End)	L2 (B End)	D1 / D2
0	0	10 / 15 inch



NOTES:

1. CORD, PLUG AND CONNECTOR MUST BE MARKED WITH APPROVAL SYMBOLS OR FILE NUMBER(S).



2. SAFETY TESTING:

- ALL CORDSETS MUST BE IN ACCORDANCE WITH THE FOLLOWING REQUIREMENTS:
- A. MAXIMUM L-N TO EARTH LEAKAGE CURRENT AT 264 VAC IS 40 µA
 - B. MAXIMUM GROUND IMPEDANCE AT 30A, 12-VAC IS 0.1ohms
 - C. 1500VAC WILL DIELECTRIC WITHSTAND.
 - D. TEST REPORT WILL ACCOMPANY EACH SHIPMENT.

NOTE:

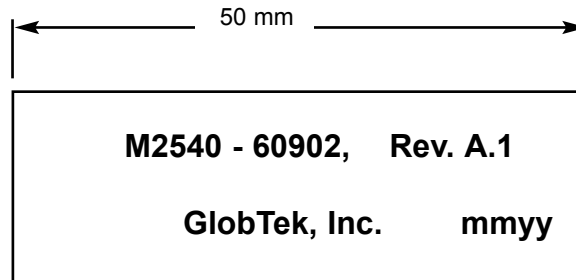
CORDSETS ARE TO BE COILED (10" TO 15" DIAMETER)AND INDIVIDUALLY PACKAGED INTO HEAT-SEALED BAGS.

DASH NO.	PART NO	REV.	DESCRIPTION	NOTES
TABULATION BLOCK				
REV.	B	B		
SHEET	1	2		
INIT.BY: BS	DATE: 04/22/03	TOLERANCES: DECIMALS ANGULAR +/- 1° .xx +/- 0.1 .xxx +/- .005 MILLIMETERS ANGULAR +/- 1° .xx +/- 0.3 .xxx +/- .013		GlobTek, Inc. www.globtek.com 186 Veterans Dr. Northvale, NJ 07647 Tel. 201-784-1000 Fax 201.784.0111
DRAWN: NF	DATE: 04/22/03	FSCN No.: G, CC	SIZE A	
APRVD: BS	DATE: 04/22/03	SCALE: NONE	PART NO: 23144273M6701-1	REV. B
				SHEET 1/2

PROPRIETARY INFORMATION:
 PROPRIETARY OF GLOBTEK, INC. ANY REPRODUCTION, DISCLOSURE OR
 USE OF THIS DRAWING, IN WHOLE OR IN PART, IS HEREBY
 PROHIBITED EXCEPT AS SPECIFIED IN WRITING BY GLOBTEK,INC.

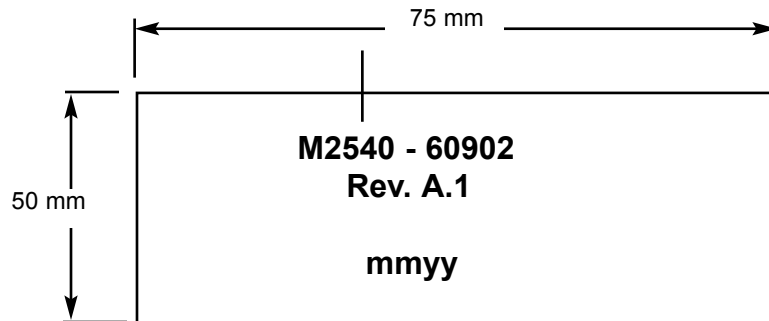
REVISION		DATE	APPROVED
REV	DESCRIPTION		
A	INITIAL RELEASE	02/07/02	BS
B	REDRAWN	04/22/03	BS


LABEL # 1



- NOTES:
1. BLACK PRINTING ON WHITE LABEL.
 2. "mmyy" - MONTH AND YEAR OF MANUFACTURE.
 3. NEAR EDGE OF LABEL IS LOCATED 95 mm AWAY FROM END OF THE FEMALE CONNECTOR.

LABEL # 2



DASH NO.	PART NO		REV.	DESCRIPTION	NOTES
TABULATION BLOCK					
REV.	C	C		TOLERANCES: DECIMALS ANGULAR .xx +/- 0.1 +/- 1° .xxx +/- .005	 GlobTek, Inc. 186 Veterans Dr. Northvale, NJ 07647 www.globtek.com Tel. 201-784-1000 Fax 201.784.0111
SHEET	1	2			
INIT.BY: BS		DATE: 04/22/03		DWG TITLE: EUROPEAN DETACHABLE CORDSET	
DRAWN: NF		DATE: 04/22/03		FSCN No.: G, CC	SIZE A
APRVD: BS		DATE: 04/22/03		SCALE: NONE	PART NO: 23144273M6F701-1
					REV. B
					SHEET 2/2