

## SERIES 34E Sealed Surface Mount Toggle Switches

### FEATURES

- Save Space and Weight
- SPDT Circuitry
- Choice of Actuators and Terminations
- Sealed per IP67



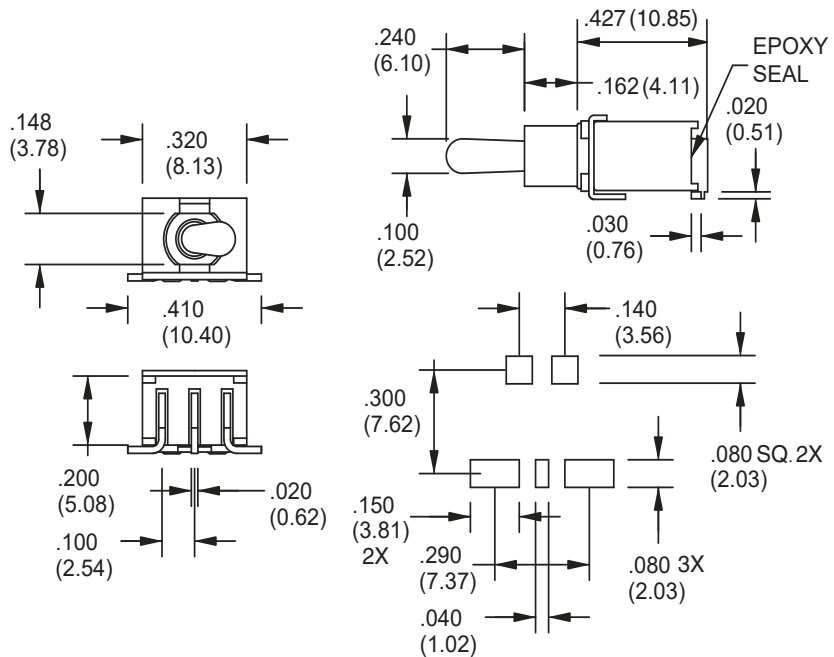
### MODELS in inches (and millimeters)

M6

SPDT

MODEL NO.	SWITCH POSITION		
WMSP1	ON	NONE	ON
WMSP2	ON	NONE	(ON)
WMSP3	ON	OFF	ON
WMSP4	(ON)	OFF	(ON)
WMSP5	ON	OFF	(ON)
TERM. COMM.	2-3	OPEN	2-1

( )=MOMENTARY

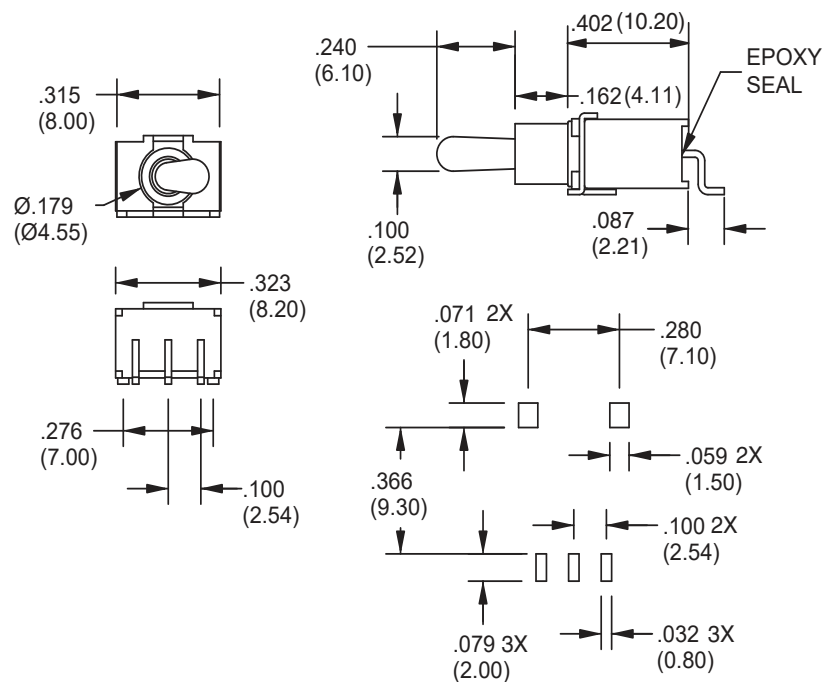
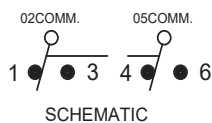


S6

SPDT

MODEL NO.	SWITCH POSITION		
WMSP1	ON	NONE	ON
WMSP2	ON	NONE	(ON)
WMSP3	ON	OFF	ON
WMSP4	(ON)	OFF	(ON)
WMSP5	ON	OFF	(ON)
TERM. COMM.	2-3	OPEN	2-1

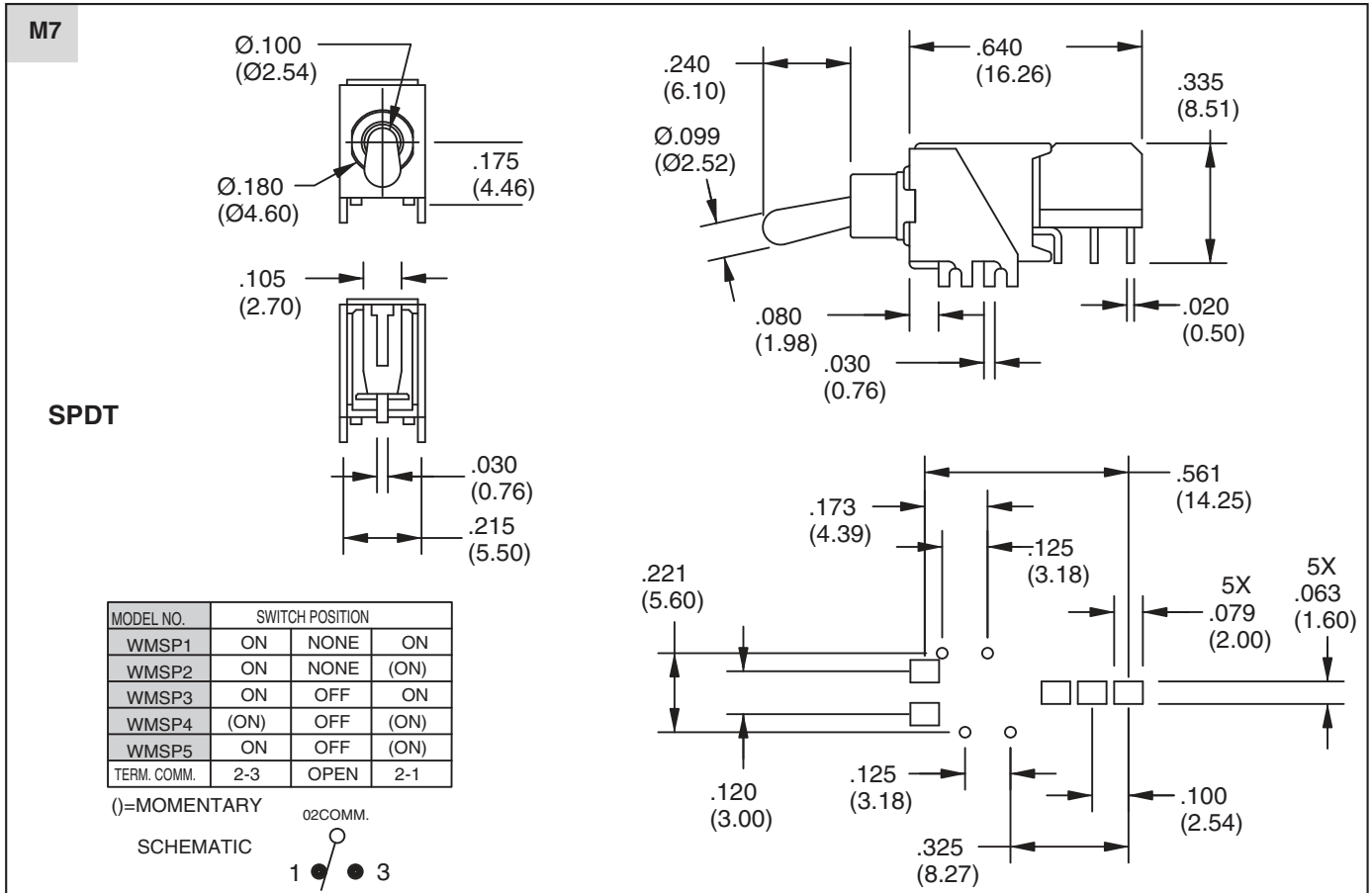
( )=MOMENTARY



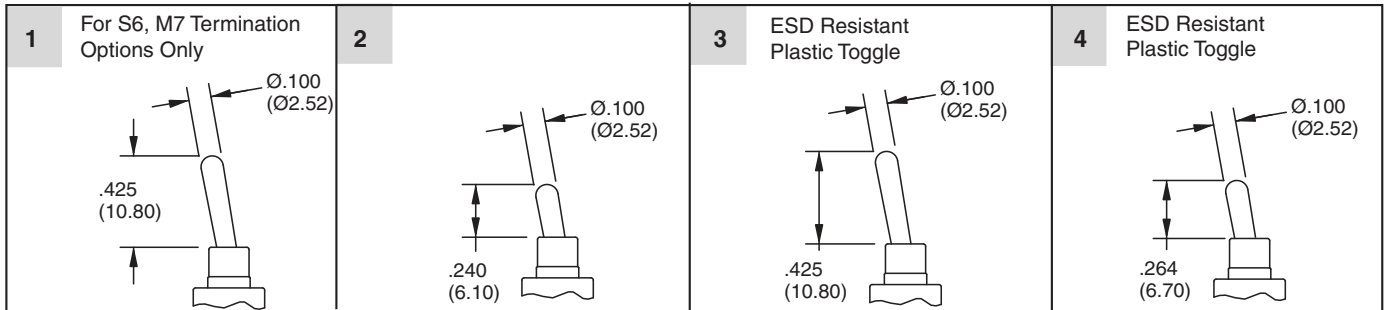


## Series 34E: Sealed Surface Mount Toggle Switches

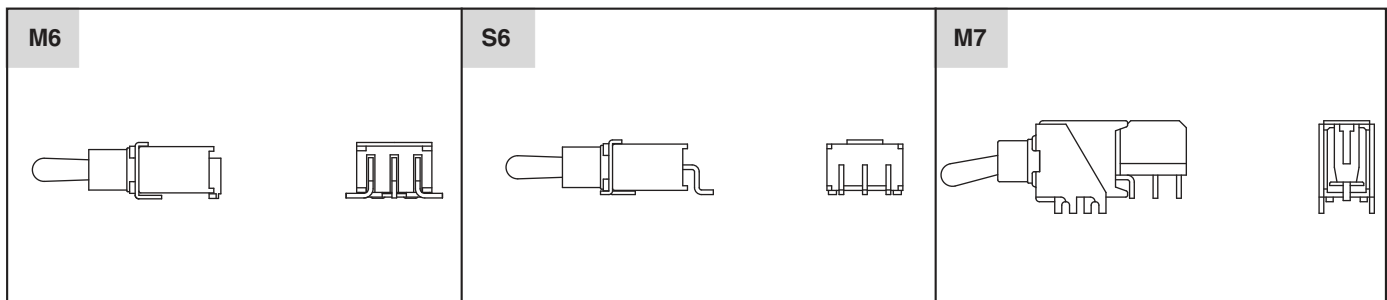
Toggle Switches



### ACTUATOR OPTIONS in inches (and millimeters)



### TERMINATION OPTIONS

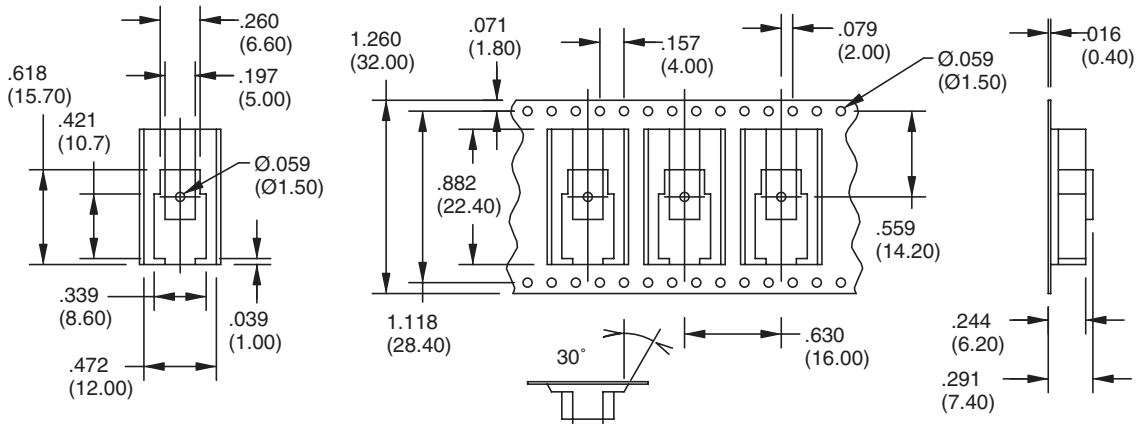


## Series 34E: Sealed Surface Mount Toggle Switches

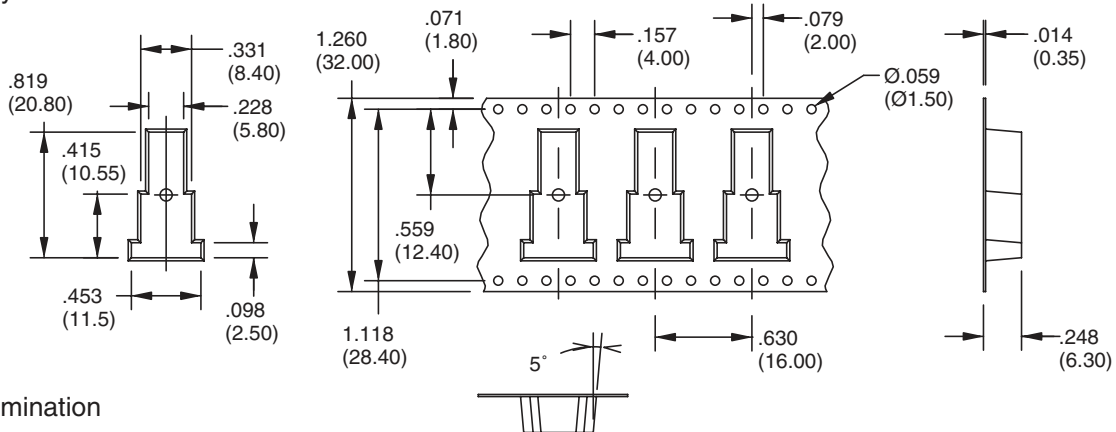


### TAPE AND REEL PACKAGING in inches (and millimeters)

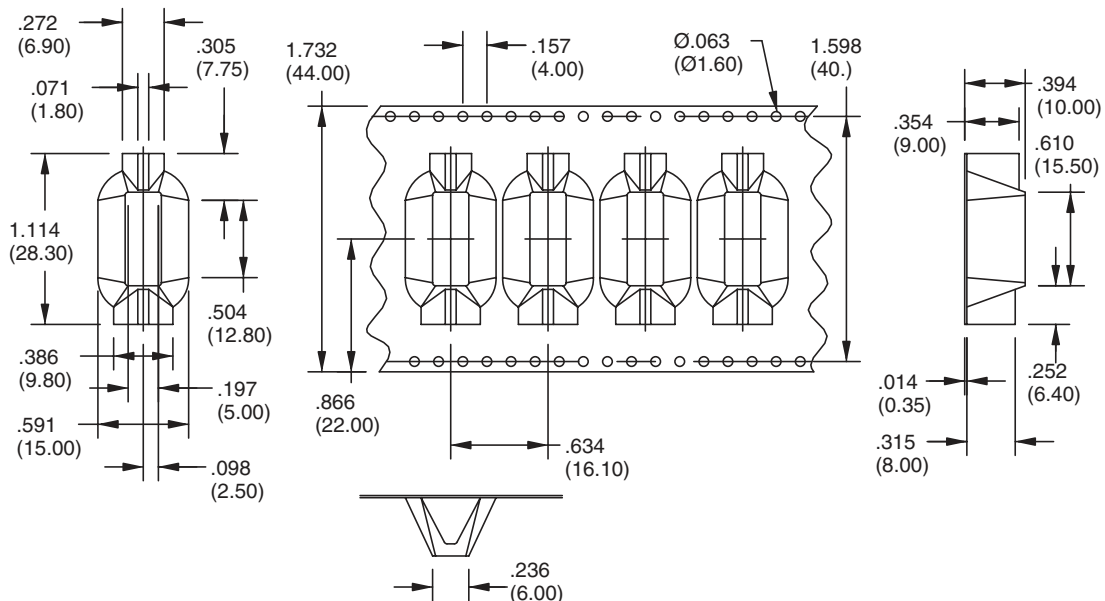
For M6 Termination  
Option Only



For S6 Termination  
Option Only



For M7 Termination  
Option Only



Toggle Switches



## Series 34E: Sealed Surface Mount Toggle Switches

### SPECIFICATIONS

#### RATINGS

**Contact Rating:** 0.4 VA max. @ 20V max. (AC or DC)

**Mechanical and Electrical Life:** 30,000 make-and-break cycles at full load

**Contact Resistance:** 20 milliohms max. typ. initial @ 2-4 VDC, 100 mA

**Insulation Resistance:** 1,000 megaohms minimum

**Dielectric Strength:** 1,500 V RMS @ sea level

**Operating Temperature:** -30°C to 85°C

#### MATERIALS

**Case and Bushings:** Glass-filled nylon 4/6, flame retardant, heat stabilized (UL94V-0)

**Actuator:** Brass, chrome plated

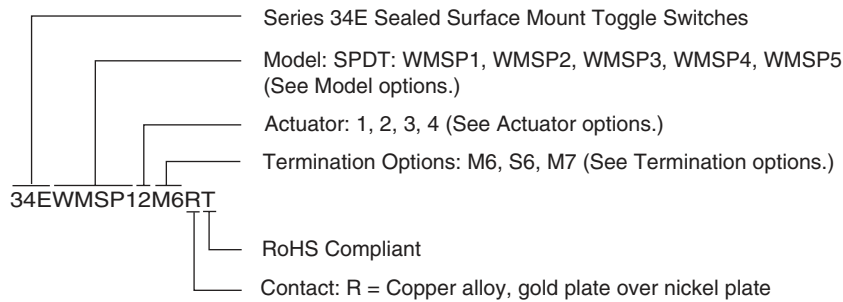
**Contacts:** Copper alloy, gold plate over nickel plate

**Terminals:** Copper alloy, tin plate over nickel plate

**Terminal Seal:** Epoxy

**Tape and Reel:** 500 pcs/per reel

### ORDERING INFORMATION



Available from your local Grayhill Component Distributor.

For prices and discounts, contact a local Sales Office, an authorized local Distributor or Grayhill.