

PRODUCT DESCRIPTION CODE :

10145179-1XXK LF

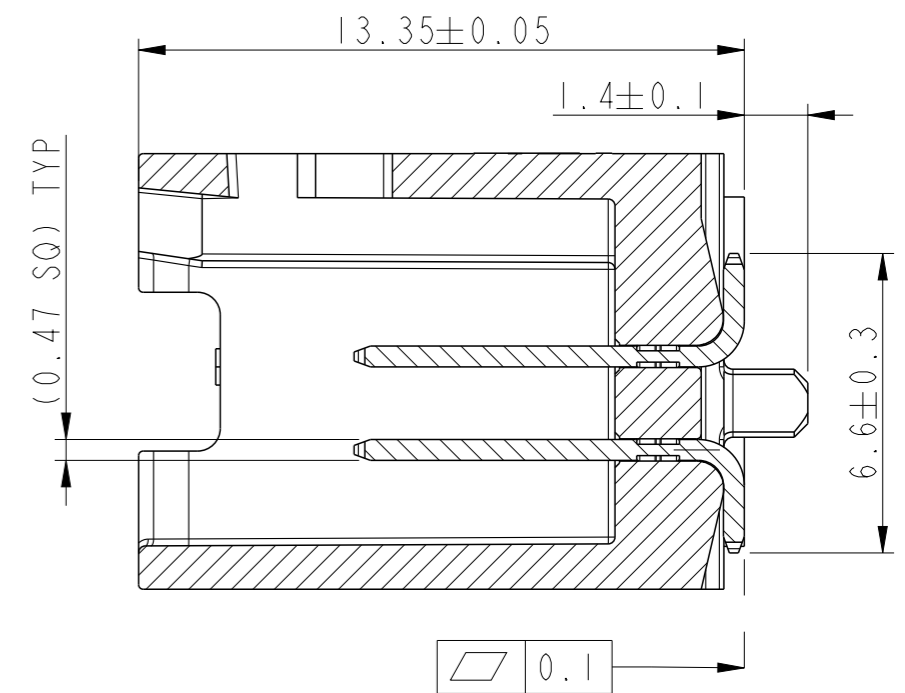
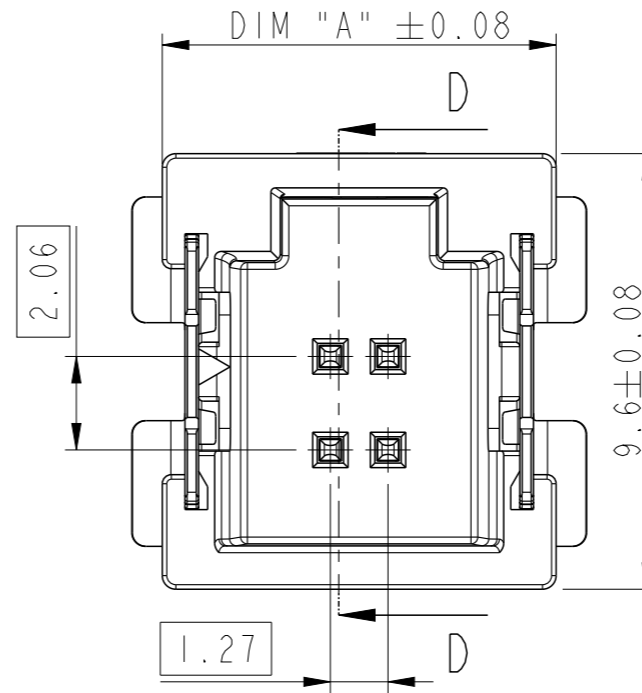
RoHS COMPATIBLE, SEE NOTE 3

FOR CUSTOMER CODE :
BLANK = GENERAL USE

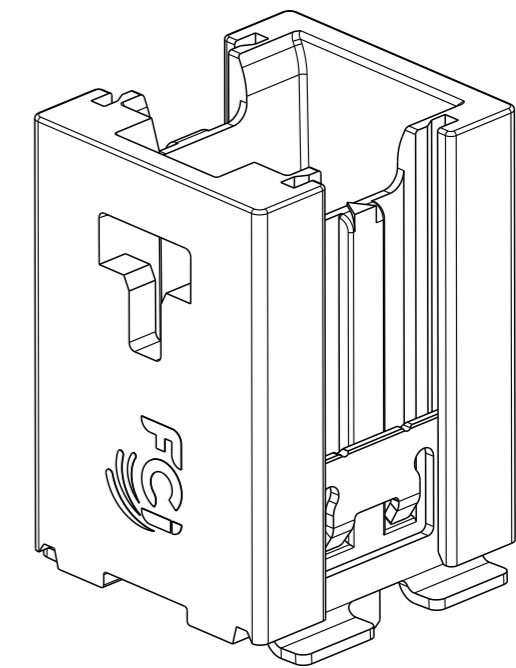
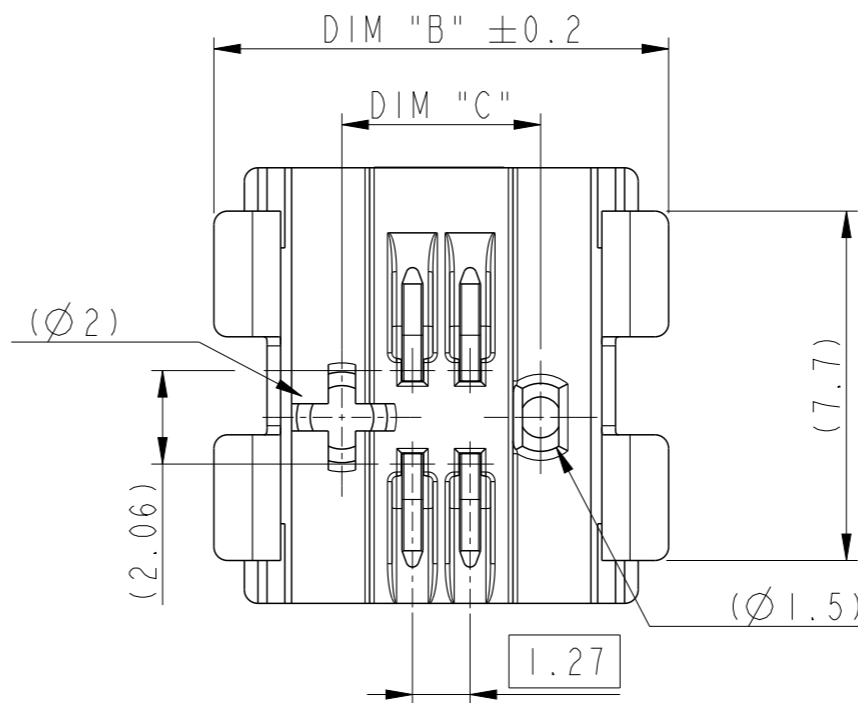
PACKAGING :
K = TAPE & REEL

NUMBER OF POSITIONS : 04 TO 12

PLATING :
1 = 3µm MIN MATTE TIN (PREPLATED)
2 = 3µm MIN MATTE TIN (POST-PLATED)
3 = 0.76µm MIN GOLD (CONTACT AREA)
ALL OVER 1.27µm MIN NICKEL UNDERLAYER



SECTION D-D



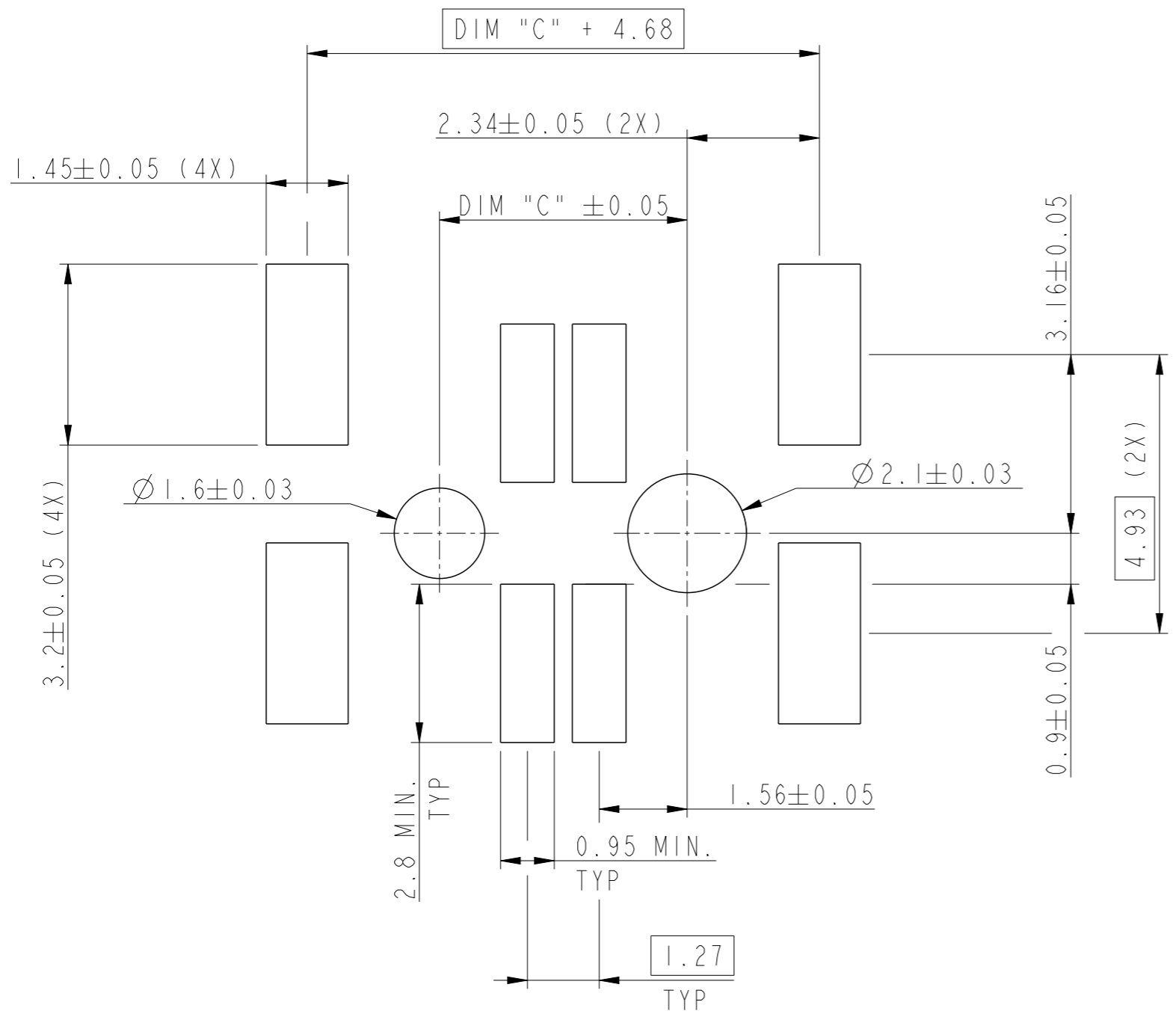
SCALE 5:1

NOTES:

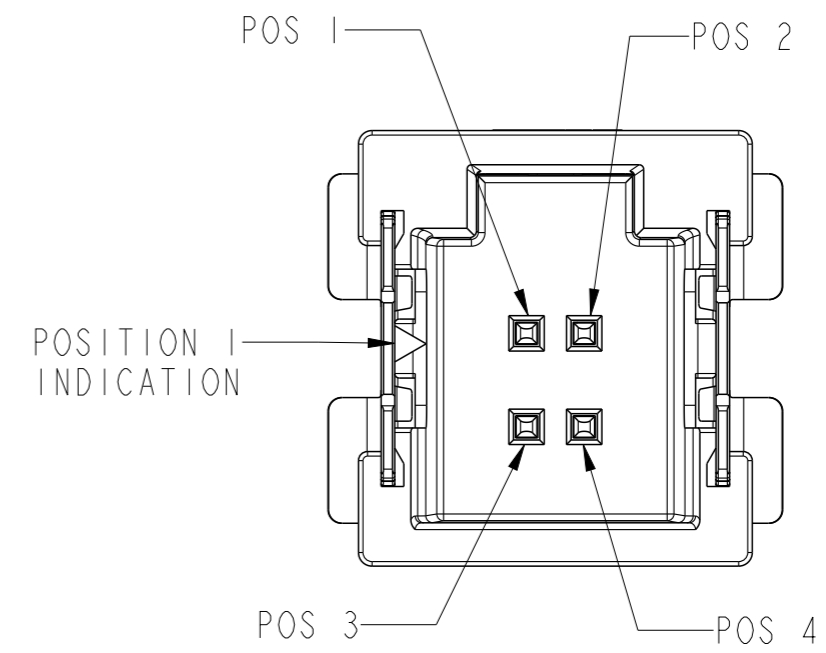
- 1 - MATERIAL:
HOUSING : HIGH TEMPERATURE THERMOPLASTIC
COLOR BLACK UL94 V-0
PIN : HIGH CURRENT COPPER ALLOY
- 2 - TO BE MATED WITH MINITEK µSPACE RECEPTACLE SERIES 10143700
- 3 - RoHS COMPATIBLE PRODUCT SPECIFICATIONS
 - a - PLATING:
"LF" MEANS THE PRODUCT IS LEAD FREE,
3µm MINIMUM MATTE TIN OVER 1.27µm MINIMUM NICKEL UNDERPLATE.
 - b - MANUFACTURING PROCESS COMPATIBILITY:
THE HOUSING WILL WITHSTAND EXPOSURE TO 260°C PEAK TEMPERATURE FOR 30 SECONDS MAX IN A CONVECTION, INFRA-RED OR VAPOR PHASE OR REFLOW OVEN.
 - c - LABELLING :
MEETS PACKAGING SPECS AS PER GS-14-920
 - d - LEGAL STATEMENT :
SEE GS-47-0004.

spec ref	GS-12-1422	dr	Sawanth, Ambaa	2018/11/02	projection	mm	size	A3	scale	6:1
tolerance std	ISO 406 ISO 1101	eng	Cyril Jeune	2019/04/05			ecn no	-	rel level	Released
TOLERANCES UNLESS OTHERWISE SPECIFIED		chr	Hyppias, Arnau	2019/04/04						
surface	linear	0.X	±0.3	Amphenol FCI HEADER ASSEMBLY MINITEK µSPACE VERT. 1.27 TOP LATCH cat. no. - Product - Customer Drw	product family	dwg no 10145179	rev A	sheet 1 of 2		
	angular	0°	±2°							
ISO 1302										

PART NO.	NO. OF POSN	DIM "A"	DIM "B"	DIM "C"
10145179-104KLF	04	8.68	10.02	4.38
10145179-106KLF	06	9.95	11.29	5.65
10145179-108KLF	08	11.22	12.56	6.92
10145179-110KLF	10	12.49	13.83	8.19
10145179-112KLF	12	13.76	15.10	9.46



RECOMMENDED PCB LAYOUT



POSITION NUMBER INDICATION FOR 4 POS

SCALE 6:1

spec ref	-	dr	Sawanth, Ambaa	2018/11/02	projection	mm	size	A3	scale	10:1
tolerance std	ISO 406 ISO 1101	eng	Cyril Jeune	2019/04/05			ecn no		-	
TOLERANCES UNLESS OTHERWISE SPECIFIED		chr	Hyppias, Arnau	2019/04/04			rel level		Released	
surface	linear	appr	Beatrice Vial	2019/04/04	product family	-	-		rev	A
ISO 1302	angular			Amphenol FCI		TITLE HEADER ASSEMBLY MINITEK μSPACE VERT. 1.27 TOP LATCH		dwg no 10145179	sheet 2 of 2	
		cat. no.		-	Product - Customer Drw					