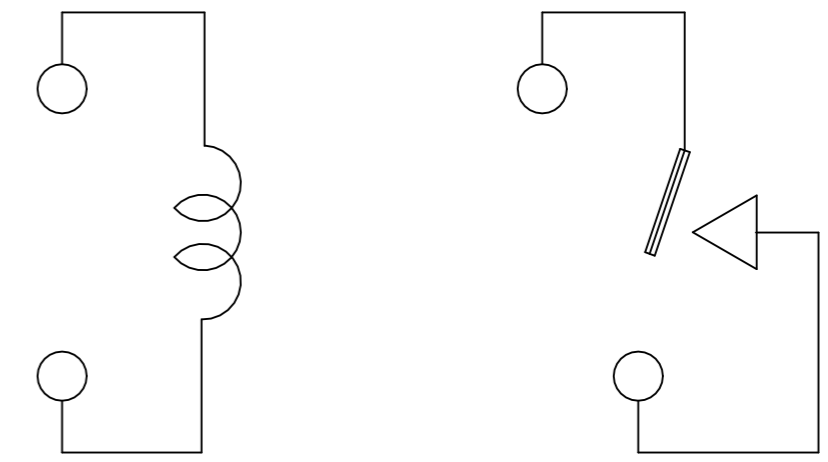
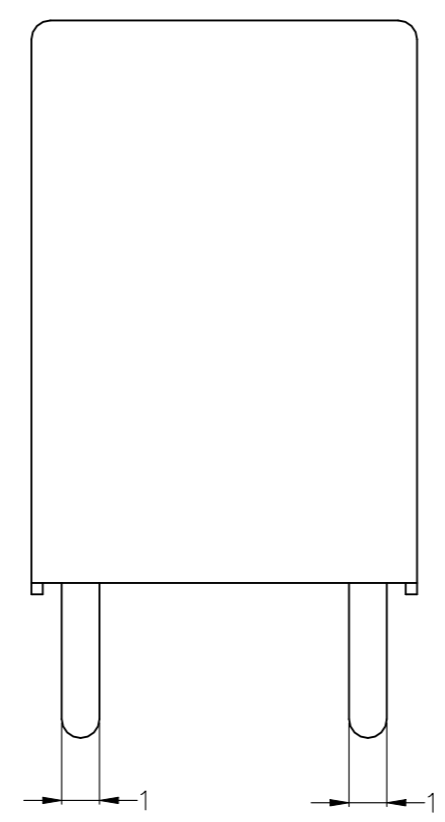
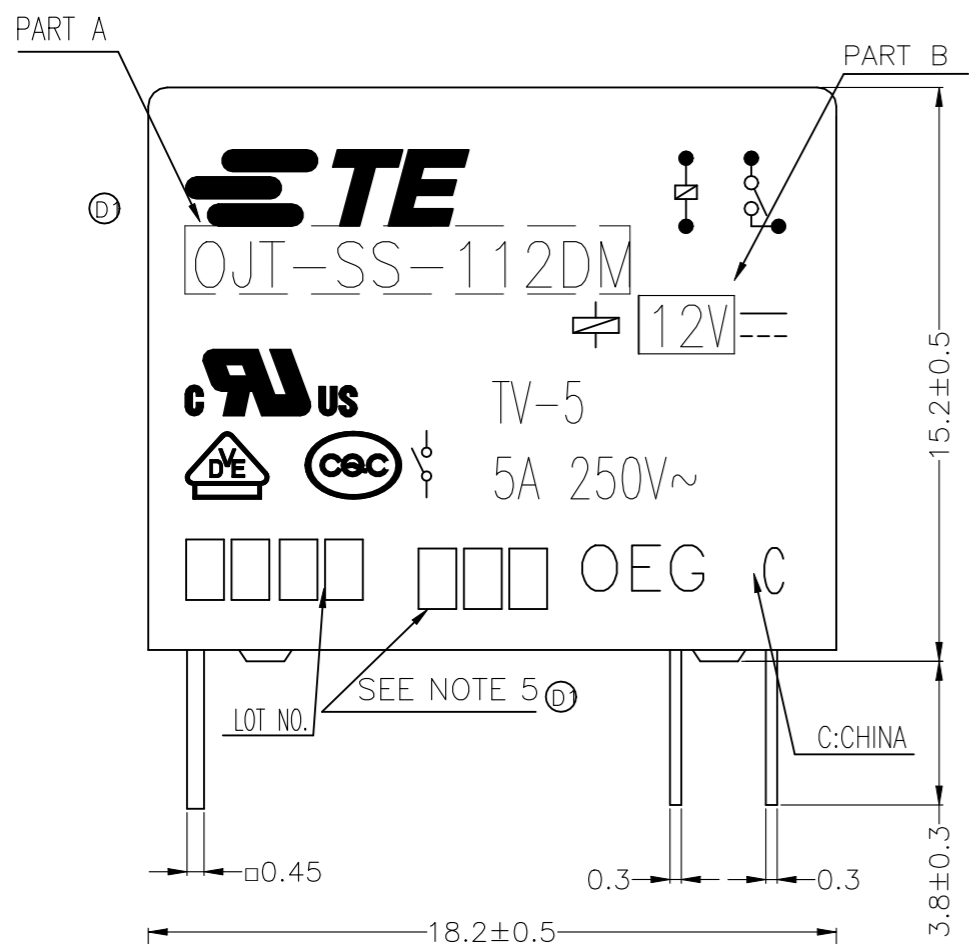
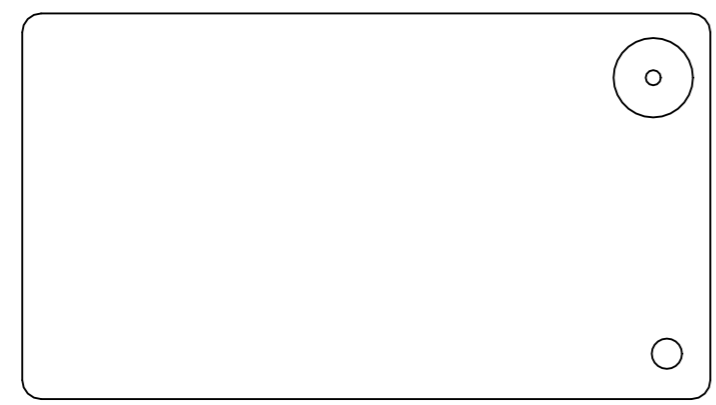


THIS DRAWING IS UNPUBLISHED. RELEASED FOR PUBLICATION  
 © COPYRIGHT - By -TE CONNECTIVITY ALL RIGHTS RESERVED.

| LOC | DIST | REVISIONS   |  |             |      |     |
|-----|------|-------------|--|-------------|------|-----|
| P   | LTR  | DESCRIPTION | DATE                                   | DWN         | APVD |     |
| HB  | -    | E           | UNIFY THE GROOVE OF GLUE ECO-15-012528 | 21Aug2012   | YS.H | CSM |
|     |      | E1          | ADD NEW PN ECN-21-119634               | 29-SEP-2021 | G.R  | K.T |



CONNECTION FIGURE

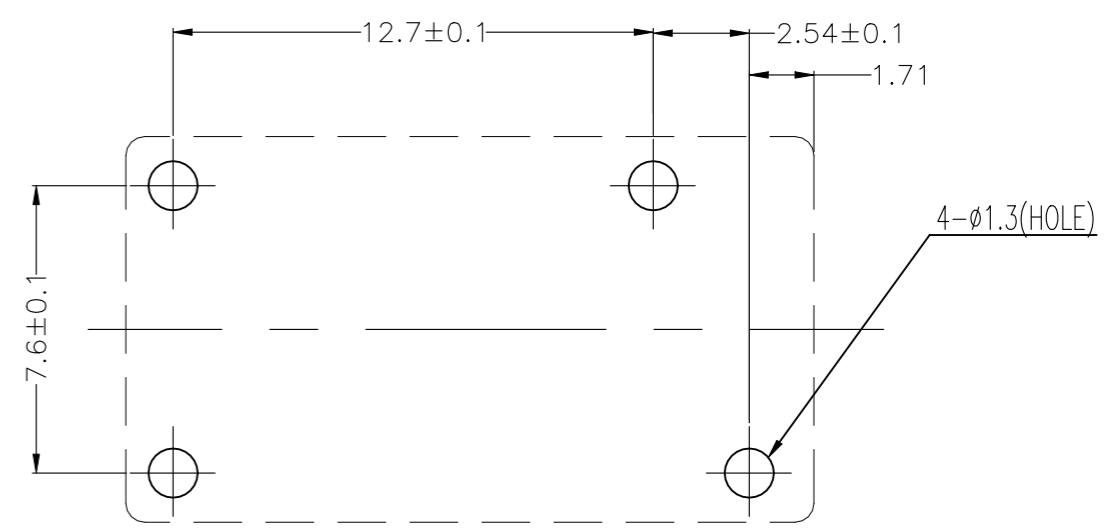
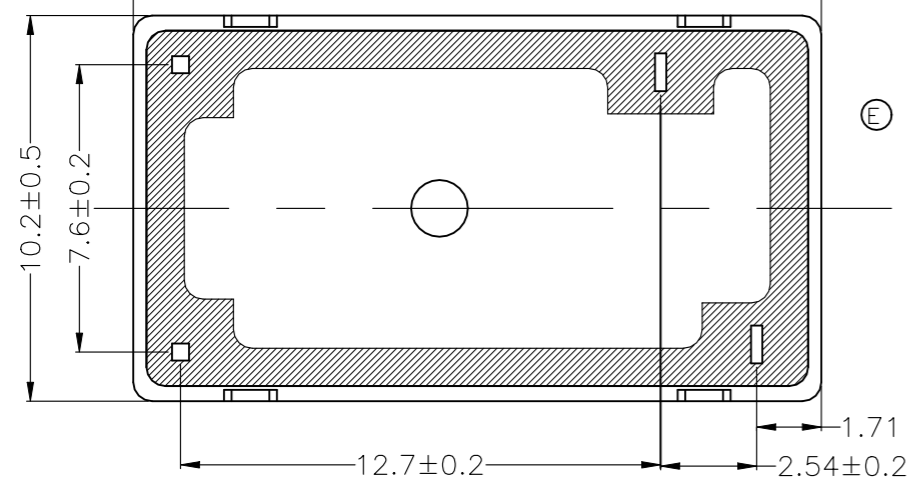


FIGURE FOR PRINTED CIRCUIT BOARD PROCESSING (BOTTOM VIEW)

| Diagram dimension | Tolerance |
|-------------------|-----------|
| 0.99mm max.       | ±0.1mm    |
| 1 - 2.99mm        | ±0.2mm    |
| 3mm min.          | ±0.3mm    |

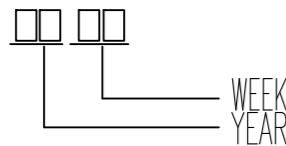


|  |     |                  |          |                                   |       |               |
|--|-----|------------------|----------|-----------------------------------|-------|---------------|
| THIS DRAWING IS A CONTROLLED DOCUMENT. |     | DWN              | Fu,Bo    | TE Connectivity                   |       |               |
| DIMENSIONS: mm                         |     | CHK              | Zhang,XN | OJT-S*-1**DM,000 CUSTOMER DRAWING |       |               |
| TOLERANCES UNLESS OTHERWISE SPECIFIED: |     | APVD             | Yang,Wen | NAME                              |       |               |
| 0 PLC                                  | ± - | PRODUCT SPEC     |          | SEE SPEC TABLE                    |       |               |
| 1 PLC                                  | ± - | APPLICATION SPEC |          | -                                 |       |               |
| 2 PLC                                  | ± - | SIZE             | A3       | CAGE CODE                         | 00779 | DRAWING NO    |
| 3 PLC                                  | ± - | WEIGHT           |          | G=1461116                         |       | RESTRICTED TO |
| 4 PLC                                  | ± - | MATERIAL         |          | CUSTOMER DRAWING                  |       | SCALE 5:1     |
| ANGLES                                 | ± - | FINISH           |          | SHEET 1 OF 2                      |       | REV E1        |

THIS DRAWING IS UNPUBLISHED. RELEASED FOR PUBLICATION  
 © COPYRIGHT - By -TE CONNECTIVITY ALL RIGHTS RESERVED.


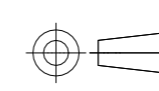
| LOC | DIST | REVISIONS |     |             |      |     |      |
|-----|------|-----------|-----|-------------|------|-----|------|
|     |      | P         | LTR | DESCRIPTION | DATE | DWN | APVD |
| HB  | -    | -         | -   | SEE SHEET 1 | -    | -   | -    |

| TE PART NO  | TE TYPE NAME       | PART B | PART A       | TYPE |
|-------------|--------------------|--------|--------------|------|
| 1-1461116-8 | OJT-SH-124DM,000TO | 24V    | OJT-SH-124DM | r    |
| 1-1461116-7 | OJT-SS-112DM,000GO | 12V    | OJT-SS-112DM | q    |
| 1-1461116-6 | OJT-SH-148DM       | 48V    | OJT-SH-148DM | p    |
| 1-1461116-5 | OJT-SH-124DM       | 24V    | OJT-SH-124DM | o    |
| 1-1461116-4 | OJT-SH-118DM       | 18V    | OJT-SH-118DM | n    |
| 1461116-1   | OJT-SH-112DM       | 12V    | OJT-SH-112DM | m    |
| 1-1461116-2 | OJT-SH-109DM       | 9V     | OJT-SH-109DM | l    |
| 1-1461116-1 | OJT-SH-106DM       | 6V     | OJT-SH-106DM | k    |
| 1-1461116-0 | OJT-SH-105DM       | 5V     | OJT-SH-105DM | j    |
| 1461116-9   | OJT-SH-103DM       | 3V     | OJT-SH-103DM | i    |
| 1461116-8   | OJT-SS-148DM       | 48V    | OJT-SS-148DM | h    |
| 1461116-7   | OJT-SS-124DM       | 24V    | OJT-SS-124DM | g    |
| 1461116-6   | OJT-SS-118DM       | 18V    | OJT-SS-118DM | f    |
| 1-1461116-3 | OJT-SS-112DM       | 12V    | OJT-SS-112DM | e    |
| 1461116-5   | OJT-SS-109DM       | 9V     | OJT-SS-109DM | d    |
| 1461116-4   | OJT-SS-106DM       | 6V     | OJT-SS-106DM | c    |
| 1461116-3   | OJT-SS-105DM       | 5V     | OJT-SS-105DM | b    |
| 1461116-2   | OJT-SS-103DM       | 3V     | OJT-SS-103DM | a    |

- NOTES:
- ① LOT NO. SYSTEM AS FOLLOWING:  

  - ② TERMINAL DIMENSION IS BEFORE SOLDER DIP;
  - ③ FOR THE TIN-PLATING OF THE PINS:  
 +0.1mm FOR WIDTH, THICKNESS AND DIAMETER.  
 +0.5mm FOR LENGTH.
  - ④ MARKING FROM INK TO LASER.

- RELAY TYPE
- ⑤ ADD LOT NO. SYSTEM AS FOLLOWING;
    - I, DIGITS FOR DAY OF THE WEEK  
 1...MONDAY IN THIS WEEK;  
 2...TUESDAY IN THIS WEEK;  
 .....  
 7...SUNDAY IN THIS WEEK
    - II, DIGITS FOR SHIFT OF THE DAY  
 1...DAY SHIFT IN THIS DAY;  
 2...NIGHT SHIFT IN THIS DAY;
    - III, ONE CHARACTER DISTINGUISH THE LINE IDENTITY, SUCH AS: A,B.....Z

|                  |              |             |                      |      |
|------------------|--------------|-------------|----------------------|------|
|                  |              | UV RESIN    | SEAL (VENT HOLE)     | 16   |
|                  |              | EPOXY RESIN | SEAL (BASE & BOBBIN) | 15   |
|                  |              | 3UEW        | MAGNETIC WIRE        | 14   |
| 94V-0            |              | P.B.T       | CASE                 | 13   |
| 94V-0            |              | P.B.T       | BASE                 | 12   |
| 94V-0            |              | P.B.T       | BOBBIN               | 11   |
|                  | SOLDER DIP   | C.P WIRE    | COIL TERMINAL        | 10   |
| 94V-0            |              | P.B.T       | CARD                 | 9    |
|                  |              | Ag ALLOY    | MOVABLE CONTACT      | 8    |
|                  |              | Ag ALLOY    | NO.CONTACT           | 7    |
|                  |              | STEEL       | HINGE SPRING         | 6    |
|                  | SOLDER DIP   | PBP         | NO.TERMINAL          | 5    |
|                  | SOLDER DIP   | Cu ALLOY    | MOVABLE SPRING       | 4    |
|                  | Cu-Ni PLATED | STEEL       | CORE                 | 3    |
|                  | Cu-Ni PLATED | STEEL       | ARMATURE             | 2    |
|                  | Cu-Ni PLATED | STEEL       | YOKE                 | 1    |
| INCOMBUSTIBILITY | TREATMENT    | MATERIAL    | DESCRIPTION          | ITEM |

|   |  |                  |                |            |   |
|---|--|------------------|----------------|------------|---|
| THIS DRAWING IS A CONTROLLED DOCUMENT.  |  | DWN              | Fu,Bo          |            |  TE Connectivity |
| DIMENSIONS: mm  |  | CHK              | Zhang,XN       |            |   |
|  |  | APVD             | Yang,Wen       |            |   |
| TOLERANCES UNLESS OTHERWISE SPECIFIED:  |  | PRODUCT SPEC     | SEE SPEC TABLE |            |   |
| MATERIAL  |  | APPLICATION SPEC | -              |            | NAME<br>OJT-S*-1**DM,000 CUSTOMER DRAWING   |
| FINISH  |  | WEIGHT           | -              |            |   |
|   |  | SIZE             | CAGE CODE      | DRAWING NO | RESTRICTED TO   |
|   |  |                  | A3             | 00779      | C-1461116   |
|   |  | CUSTOMER DRAWING |                | SCALE      | SHEET   |
|   |  |                  |                | 5:1        | 2 OF 2  |
|   |  |                  |                | REV        | E1  |