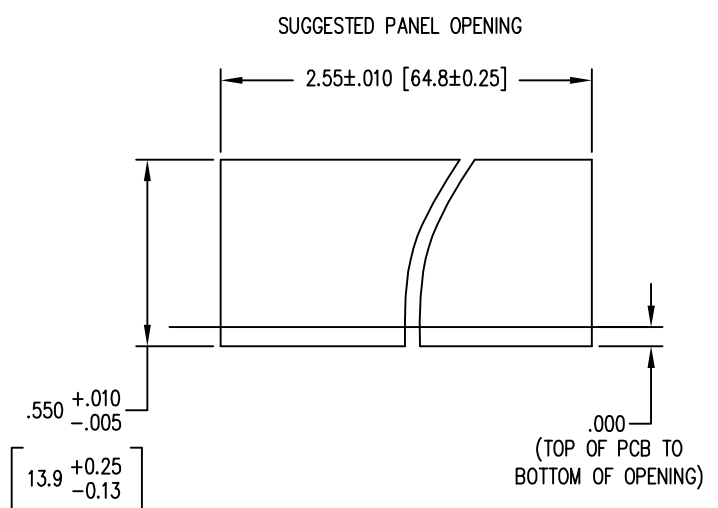
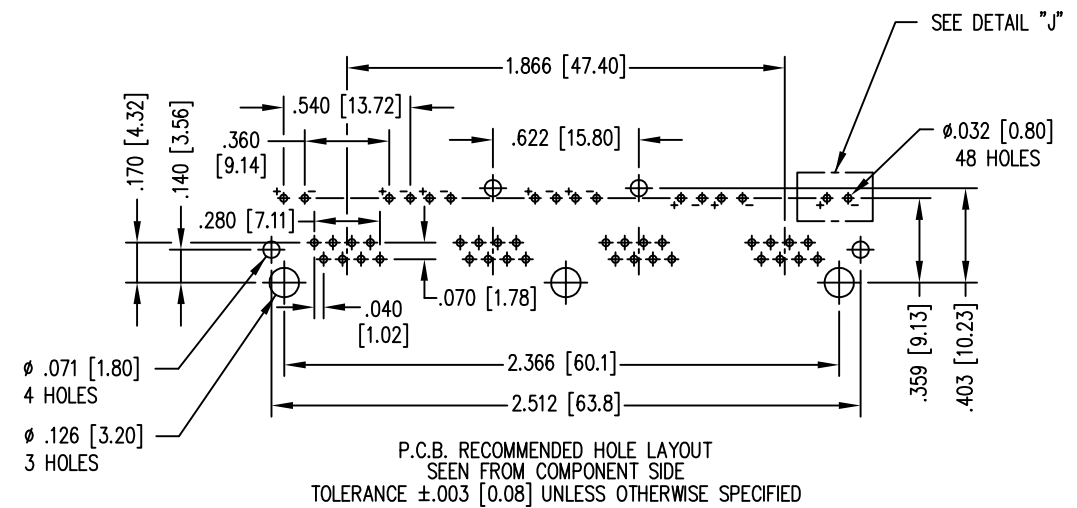
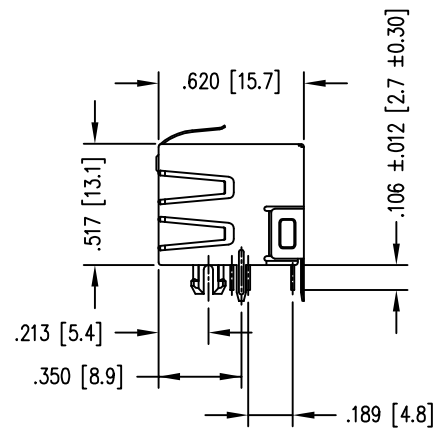
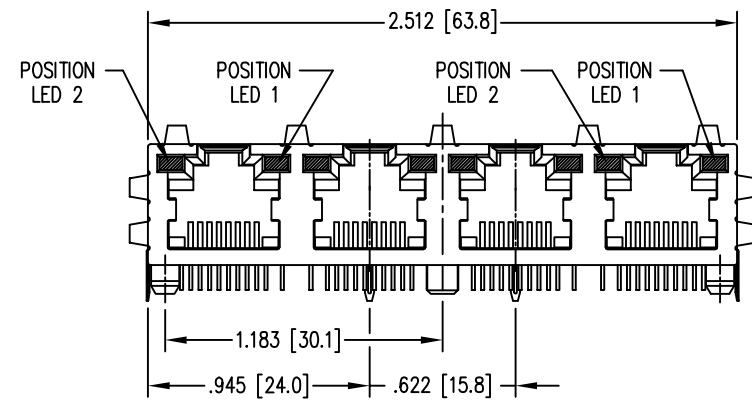
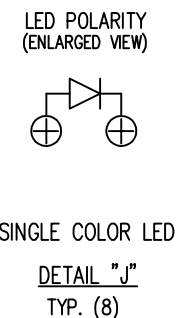
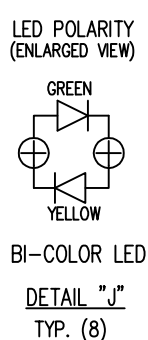


| DATE    | REV | ECN   | APP'D. BY |
|---------|-----|-------|-----------|
| 1-19-15 | A8  | 10215 | TRM       |
| 3-16-16 | A9  | 10615 | TRM       |
|         |     |       |           |
|         |     |       |           |



- NOTES:
- CONNECTOR MATERIALS:
    - HOUSING: PBT+30%G.F. UL94V-0. STANDARD COLOR: BLACK
    - INSERT: PBT+30%G.F. UL94V-0. STANDARD COLOR: BLACK
    - LENS: PC UL94V-0. STANDARD COLOR: CLEAR
    - BACK: PBT+30%G.F. STANDARD COLOR: BLACK
    - LED 3.2 x 2.0 x 4.0 x P=2.29mm.
    - SHIELD: COPPER ALLOY 0.25mm THICKNESS.
    - CONTACT: 0.35mm (.014") THICKNESS GOLD PLATING OVER NICKEL PHOSPHOR BRONZE ALLOY SELECTIVE.
  - FOR PRODUCT SPECIFICATION SEE PR022-01

|                 |            |              |
|-----------------|------------|--------------|
| GREEN           | RED        | SS-74404-004 |
| GREEN           | YELLOW     | SS-74404-002 |
| POSITION 2      | POSITION 1 | PART NUMBER  |
| INDICATOR COLOR |            |              |



THIRD ANGLE PROJECTION

DO NOT SCALE DRAWING  
DRAWING IS SUBJECT TO CHANGE WITHOUT NOTICE

DIMENSIONS: INCHES [METRIC]

UNLESS OTHERWISE SPECIFIED TOLERANCES ARE ±.005 [0.13] ANGLES ARE ± 1°

SHEET NO. 1 OF 1

1118 Susquehanna Trail South  
Glen Rock, PA 17327-9199  
(717) 235-7512  
<http://www.stewartconnector.com>

TITLE: 4 PORT PCB HARMONICA LED JACK PAC  
EMI-RFI ONE PIECE SHIELDED, ESD GROUNDED

|                  |               |
|------------------|---------------|
| DRN BY: TRM      | DATE: 9-24-01 |
| APPD BY: RGC     | DATE: 9-25-01 |
| DWG NO. CT740082 | REV. A9       |

THIS DRAWING AND THE SUBJECT MATTER SHOWN THEREON ARE CONFIDENTIAL AND THE PROPRIETARY PROPERTY OF STEWART CONNECTOR AND SHALL NOT BE REPRODUCED, COPIED, OR USED IN ANY MANNER WITHOUT PRIOR WRITTEN CONSENT OF STEWART CONNECTOR. ONE OR MORE U.S. PATENTS MAY APPLY TO THIS PRODUCT. FOR DETAILS, PLEASE VISIT: [HTTP://BELFUSE.COM/STEWART/STEWART\\_PATENTS/](http://BELFUSE.COM/STEWART/STEWART_PATENTS/)