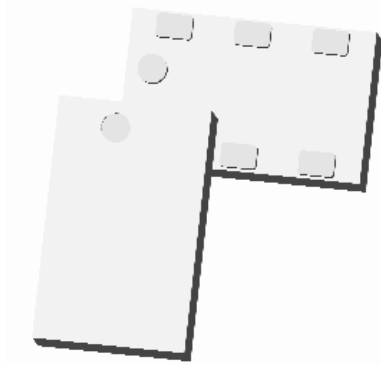




**Ultra Low Profile 0805
3 dB, 90° Hybrid Coupler**



Description:

The C5060J5003AHF is a low cost, low profile sub-miniature high performance 3 dB coupler in an easy to use surface mount package. The C5060J5003AHF is ideal for balanced power and low noise amplifiers, plus signal distribution and other applications where low insertion loss and tight amplitude and phase balance are required. The C5060J5003AHF is available on tape and reel for pick and place high volume manufacturing.

All of the Xinger components are constructed from ceramic filled PTFE composites which possess excellent electrical and mechanical stability. All parts have been subjected to rigorous qualification testing and units are 100% RF tested.

Detailed Electrical Specifications:

Specifications subject to change without notice.

Features:	Parameter	Room (25C)			Unit
		Min	Typ	Max	
<ul style="list-style-type: none"> • 4500 – 6000 MHz • 0.7 mm Height Profile • Surface Mountable • Tape & Reel • RoHS Compliant • Halogen-Free 	Frequency	4500		6000	MHz
	Port Impedance		50		Ω
	Return Loss	20	26		dB
	Isolation	22	27		dB
	Insertion Loss*		0.2	0.3	dB
	Amplitude Balance		0.3	1.0	dB
	Phase Balance		2	3.8	Degrees
	Power Handling at 85C			4	Watts
	Operating Temperature	-55		+105	°C

*Specification based on performance of unit properly installed on microstrip printed circuit boards with 50 Ω nominal impedance.

Outline Drawing:

Top View (Nearside): 2.04±0.10, 1.29±0.10, Orientation Marker Denotes Pin Location

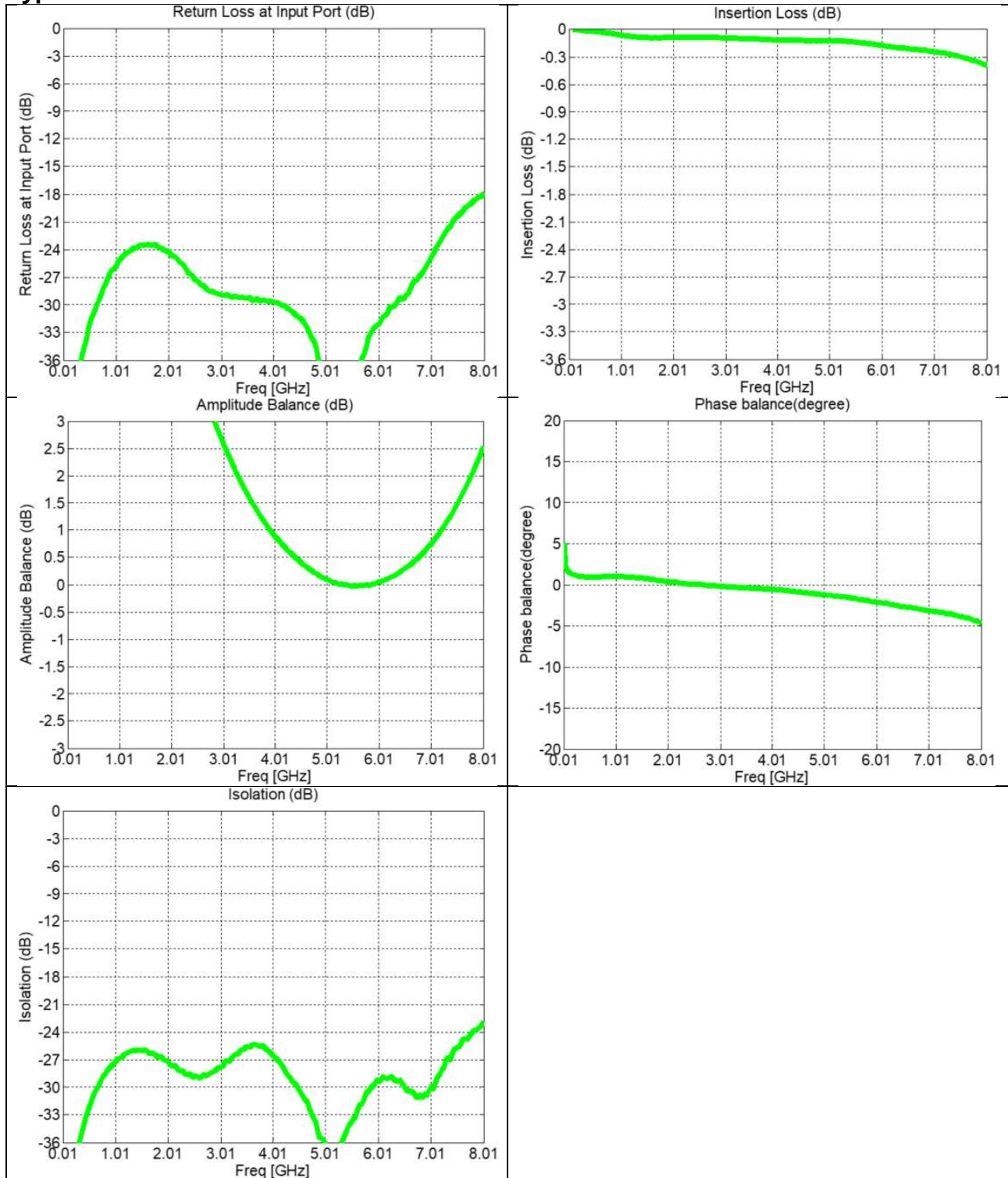
Side View: 0.70±0.07, Orientation Marker Denotes Pin Location

Bottom View (Farside): 4x 0.37, 2x 0.15, 6x 0.98, 6x 0.22, 4x 0.65, 6x 0.30, Pins 1-6

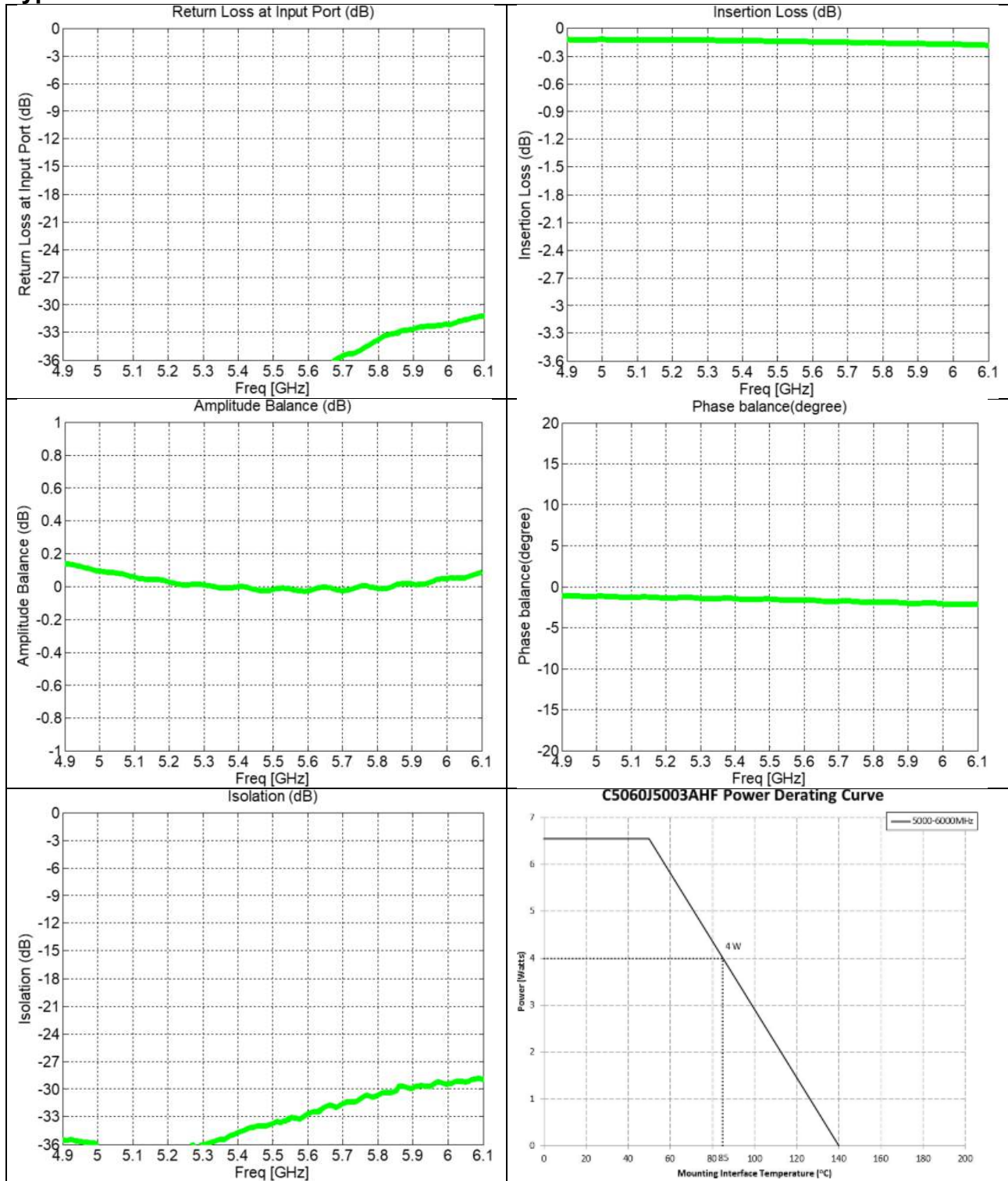
Pin	Configuration-1	Configuration-2	Configuration-3	Configuration-4
1	Input	Isolated	Direct	Coupled
2	GND	GND	GND	GND
3	Isolated	Input	Coupled	Direct
4	Direct	Coupled	Input	Isolated
5	GND	GND	GND	GND
6	Coupled	Direct	Isolated	Input

Mechanical Outline
-Dimensions are in Millimeters
-Tolerances are Non-Cumulative

Typical Broadband Performance: 10 MHz. to 8000 MHz.



Typical Performance: 4900 MHz. to 6100 MHz.



Definition of Measured Specifications

Parameter	Definition	Mathematical Representation
Return Loss	The impedance match of the coupler to a 50Ω system. Return Loss is an alternate means to express VSWR.	$\text{Return Loss(dB)} = 20\log \frac{\text{VSWR} + 1}{\text{VSWR} - 1}$
Isolation	The input power divided by the sum of the power at the two output ports.	$\text{Isolation(dB)} = 10\log \frac{P_{\text{in}}}{P_{\text{iso}}}$
Insertion Loss	The input power divided by the sum of the power at the two output ports.	$\text{Insertion Loss(dB)} = 10\log \frac{P_{\text{in}}}{P_{\text{cpl}} + P_{\text{direct}}}$
Amplitude Balance	The power at each output divided by the average power of the two outputs.	$10\log \frac{P_{\text{cpl}}}{(P_{\text{cpl}} + P_{\text{direct}})/2}$ and $10\log \frac{P_{\text{direct}}}{(P_{\text{cpl}} + P_{\text{direct}})/2}$
Phase Balance	The difference in phase angle between the two output ports.	Phase at coupled port – Phase at direct port

*100% RF test is performed per spec definition for pin configuration 1 and port 1 (input port) is connected to pin1, port 2

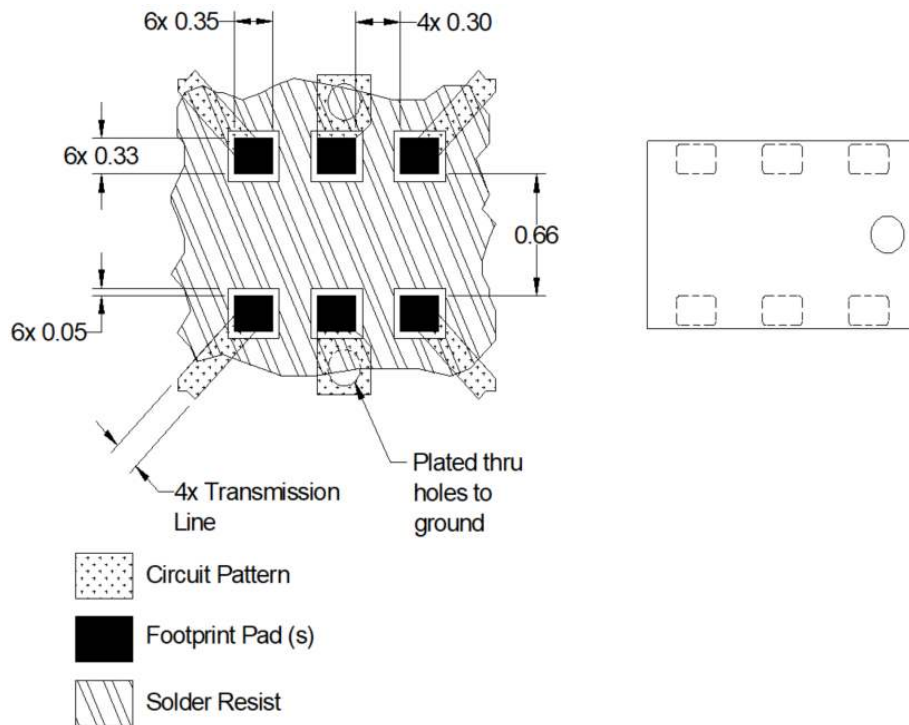
(isolated port) is connected to pin 3, port 3 (direct port) is connected to pin 4 and port 4 (isolated) is connected to pin 6.

Mounting Configuration:

In order for Xinger surface mount components to work optimally, the proper impedance transmission lines must be used to connect to the RF ports. If this condition is not satisfied, insertion loss, Isolation and VSWR may not meet published specifications.

All of the Xinger components are constructed from organic PTFE based composites which possess excellent electrical and mechanical stability. Xinger components are compliant to a variety of ROHS and Green standards and ready for Pb-free soldering processes. Pads are Gold plated with a Nickel barrier.

An example of the PCB footprint used in the testing of these parts is shown below. In specific designs, the transmission line widths need to be adjusted to the unique dielectric coefficients and thicknesses as well as varying pick and place equipment tolerances.



Dimensions are in Millimeters
Mounting Footprint

Packaging and Ordering Information:

Parts are available in reel and are packaged per EIA 481-D. Parts are oriented in tape and reel as shown below. Minimum order quantities are 4000 per reel.

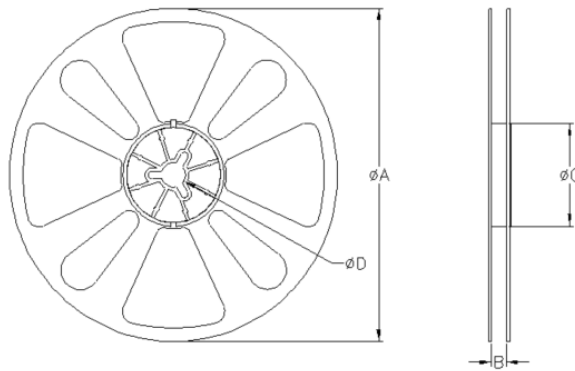
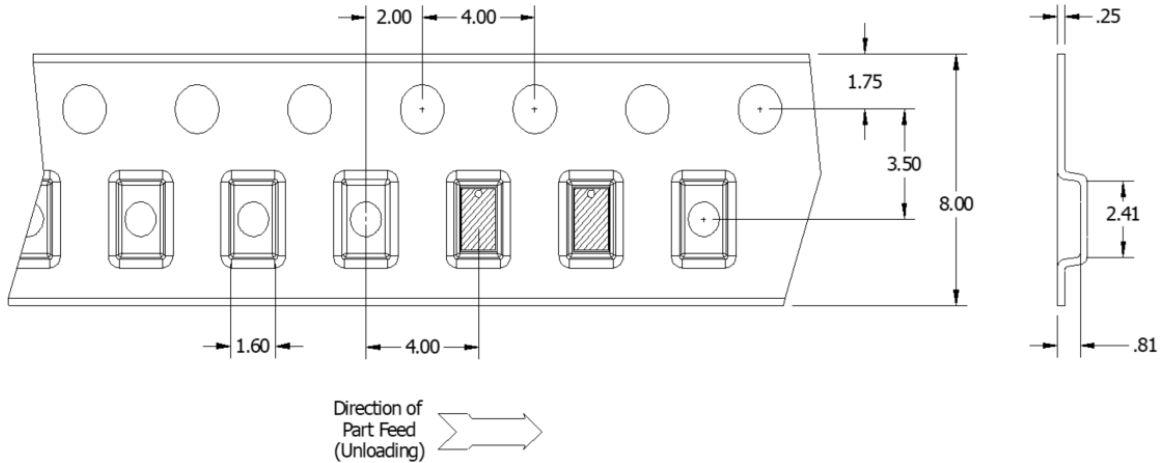


TABLE 1	
QUANTITY/REEL	REEL DIMENSIONS mm
4000	ϕA 177.80
	B 8.00
	ϕC 50.80
	ϕD 13.00

Contact us:
rf&s_support@ttm.com