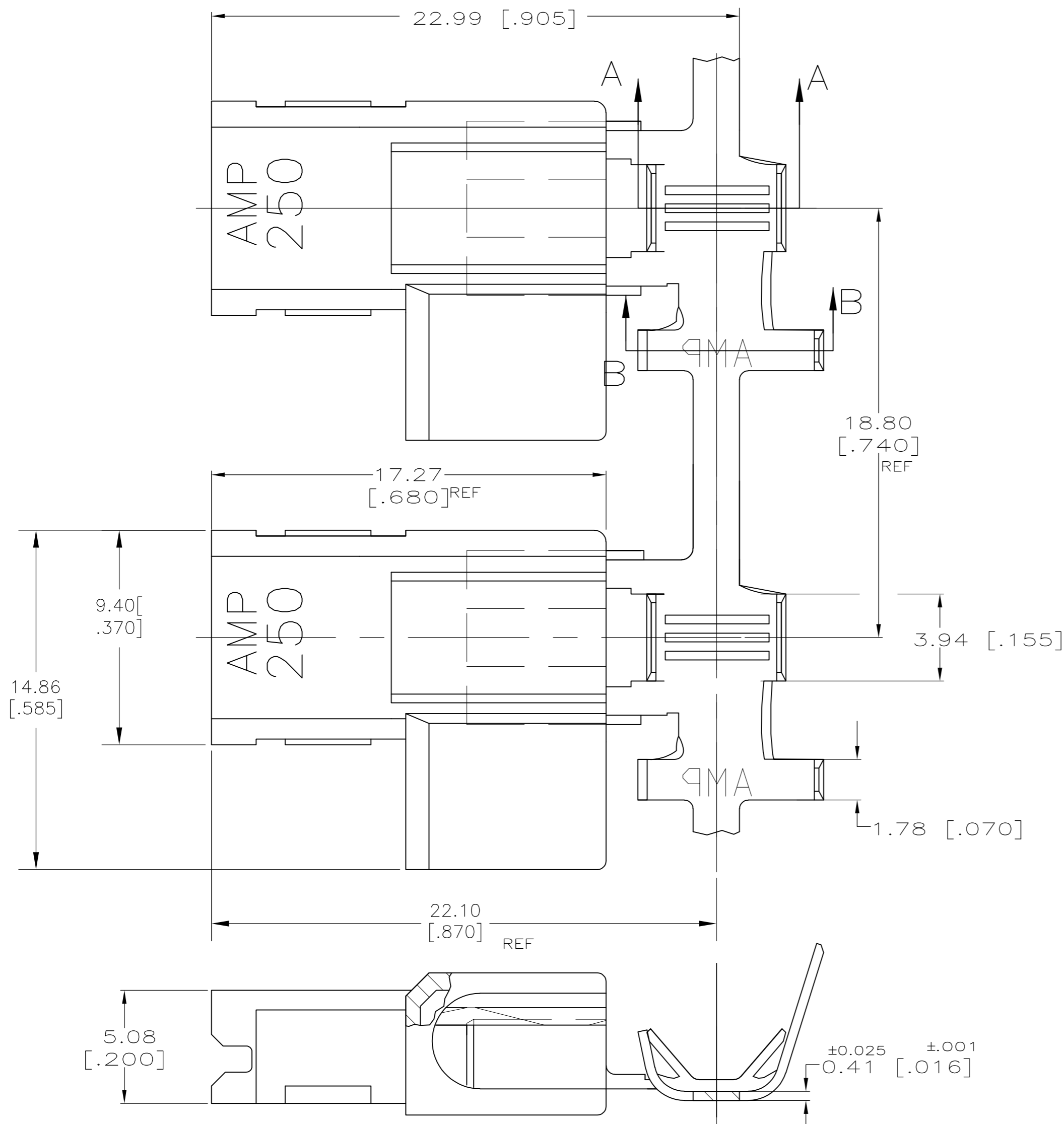
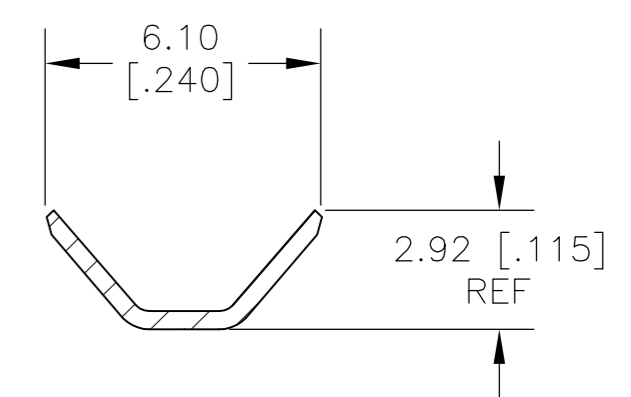
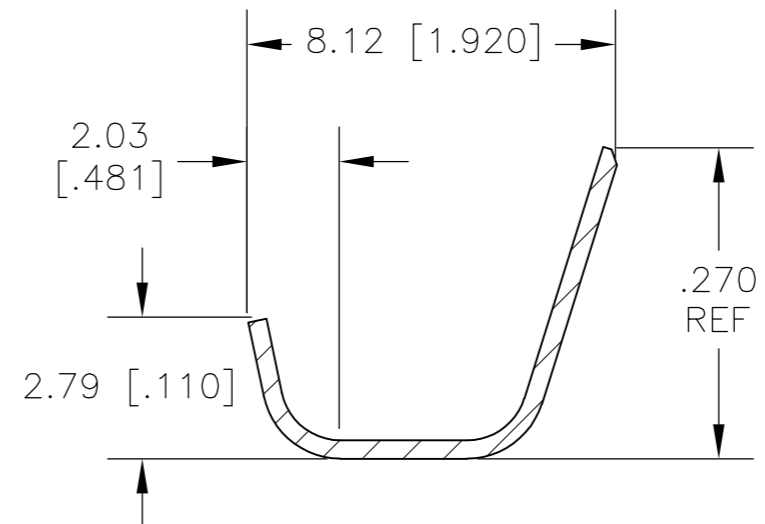


THIS DRAWING IS UNPUBLISHED. RELEASED FOR PUBLICATION
 © COPYRIGHT BY TYCO ELECTRONICS CORPORATION. ALL RIGHTS RESERVED.

LOC	DIST	REVISIONS			
P	LTR	DESCRIPTION	DATE	DWN	APVD
AF	50	F1	REVISED PER ECR-10-005376	11MAR10	JR GP

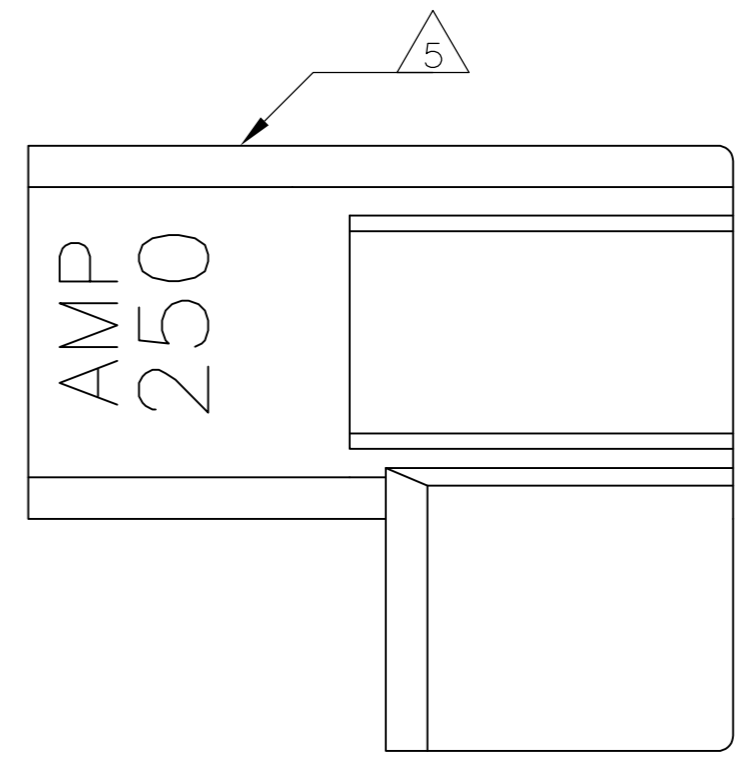


- 2 INSULATION RANGE TO BE 2.79-4.06 OR TWO AT 2.67 MAX DIA [.110-.160 OR TWO AT .105 MAX].
- 3 WIRE RANGE: #18-#14 OR TWO #20 OR TWO #18 AWG.
- 4 FITS .250 X .032 THK FASTON TAB
- △ ALTERNATIVE HOUSING FORM



SECTION A-A

SECTION B-B



6/6 NYLON / NATURAL		BRASS / PLAIN		521112-1	
HOUSING MATERIAL / COLOR		TERMINAL MATERIAL / FINISH		PART NO	
THIS DRAWING IS A CONTROLLED DOCUMENT.		DWN JR RUTH 2/16/96	Tyco Electronics Corporation Harrisburg, PA 17105-3608		
DIMENSIONS: INCHES		CHK P FORTNEY 2/16/96	NAME D BRATINA		
TOLERANCES UNLESS OTHERWISE SPECIFIED:		APVD D BRATINA 2/16/96	PRODUCT SPEC 108-1285		
0 PLC ± -		APPLICATION SPEC 114-2124		SIZE A2	CAGE CODE 00779
1 PLC ± -		WEIGHT -		DRAWING NO C=521112	RESTRICTED TO -
2 PLC ± -		CUSTOMER DRAWING		SCALE 6:1	SHEET 1 of 1
3 PLC ± 0.25 [.010]				REV F1	
4 PLC ± -					
ANGLES ± -					
FINISH SEE TABLE					