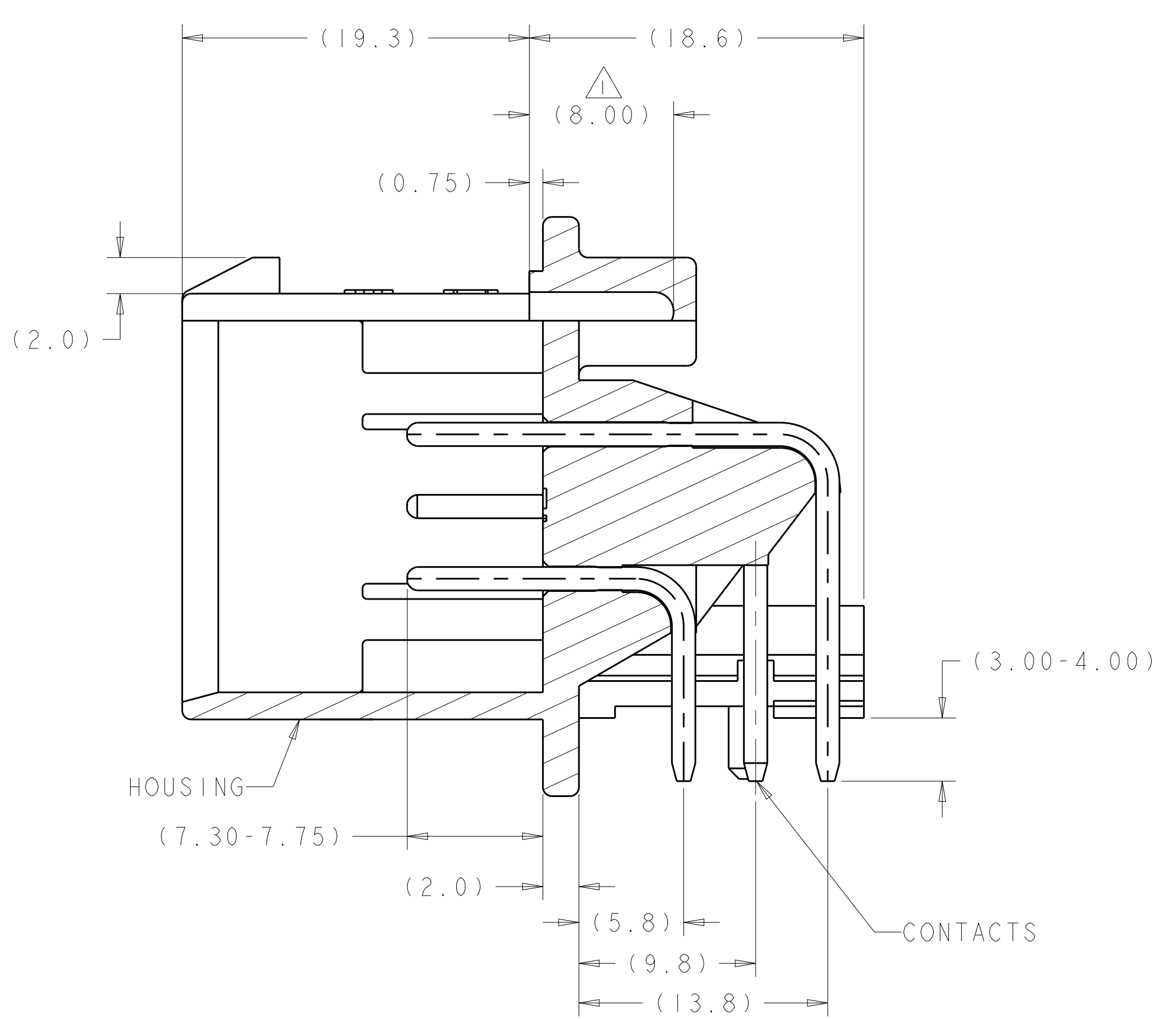
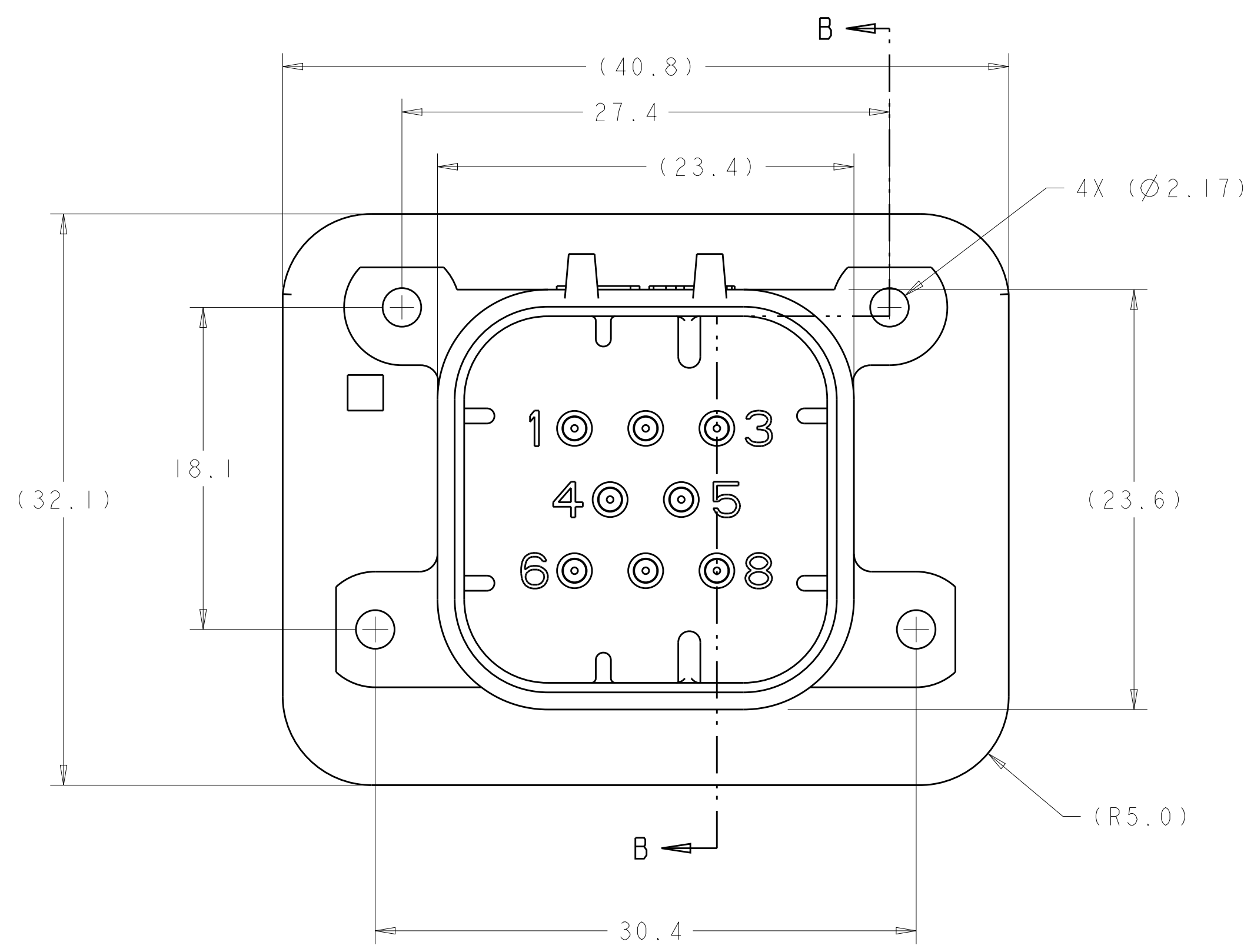
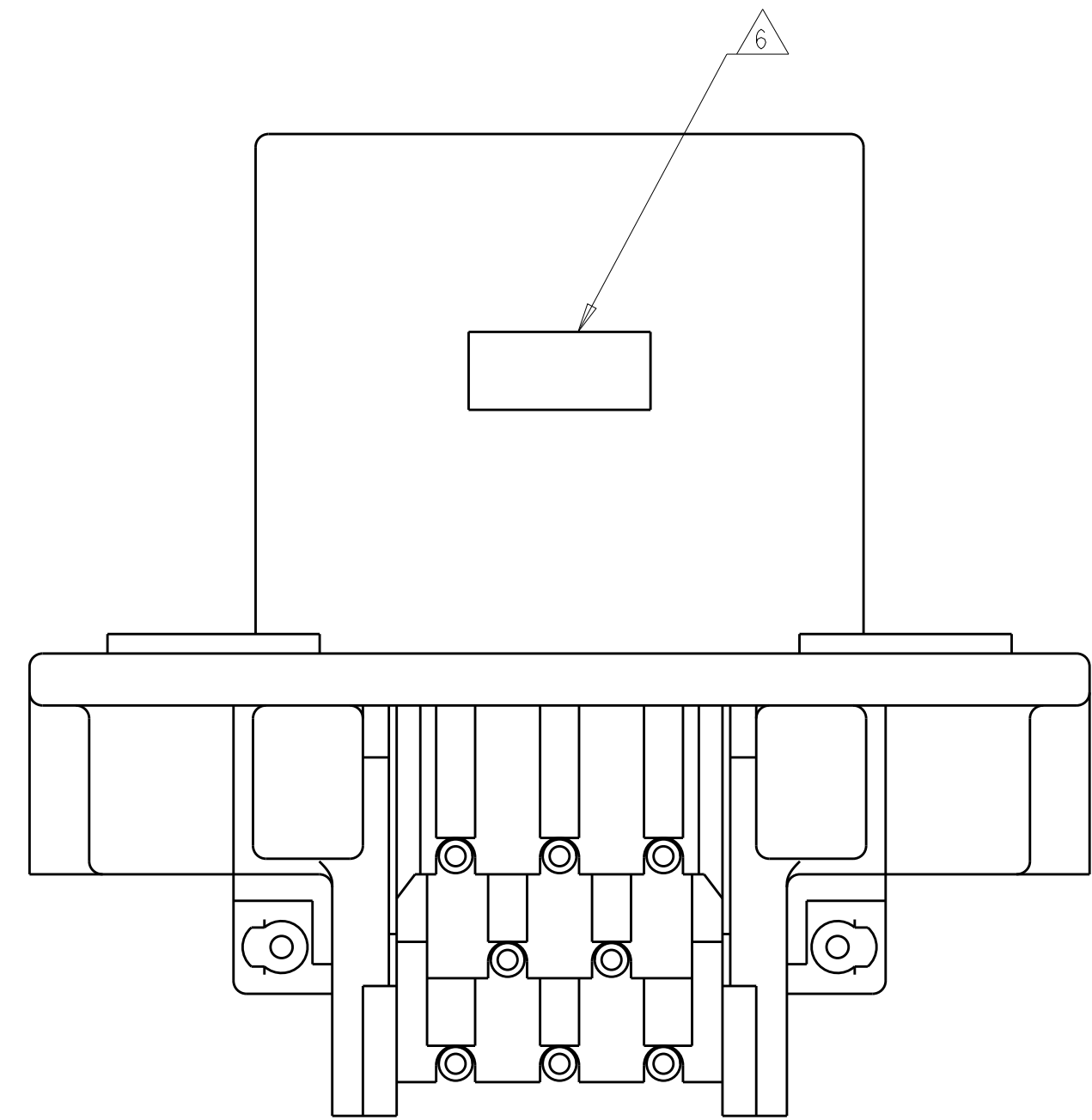


REVISIONS					
P.	LTR.	DESCRIPTION	DATE	OWN	APVD
F8		REVISED PER ECO-19-009419	19JUN2019	DS	DS
F9		REVISED PER ECO-20-004256	25MAR2020	JM	DS
F10		REVISED PER PCN E-20-016603	20NOV2020	PN	DS
F11		REV PER ECO-21-001365	29JAN2021	DS	DS



SECTION B-B



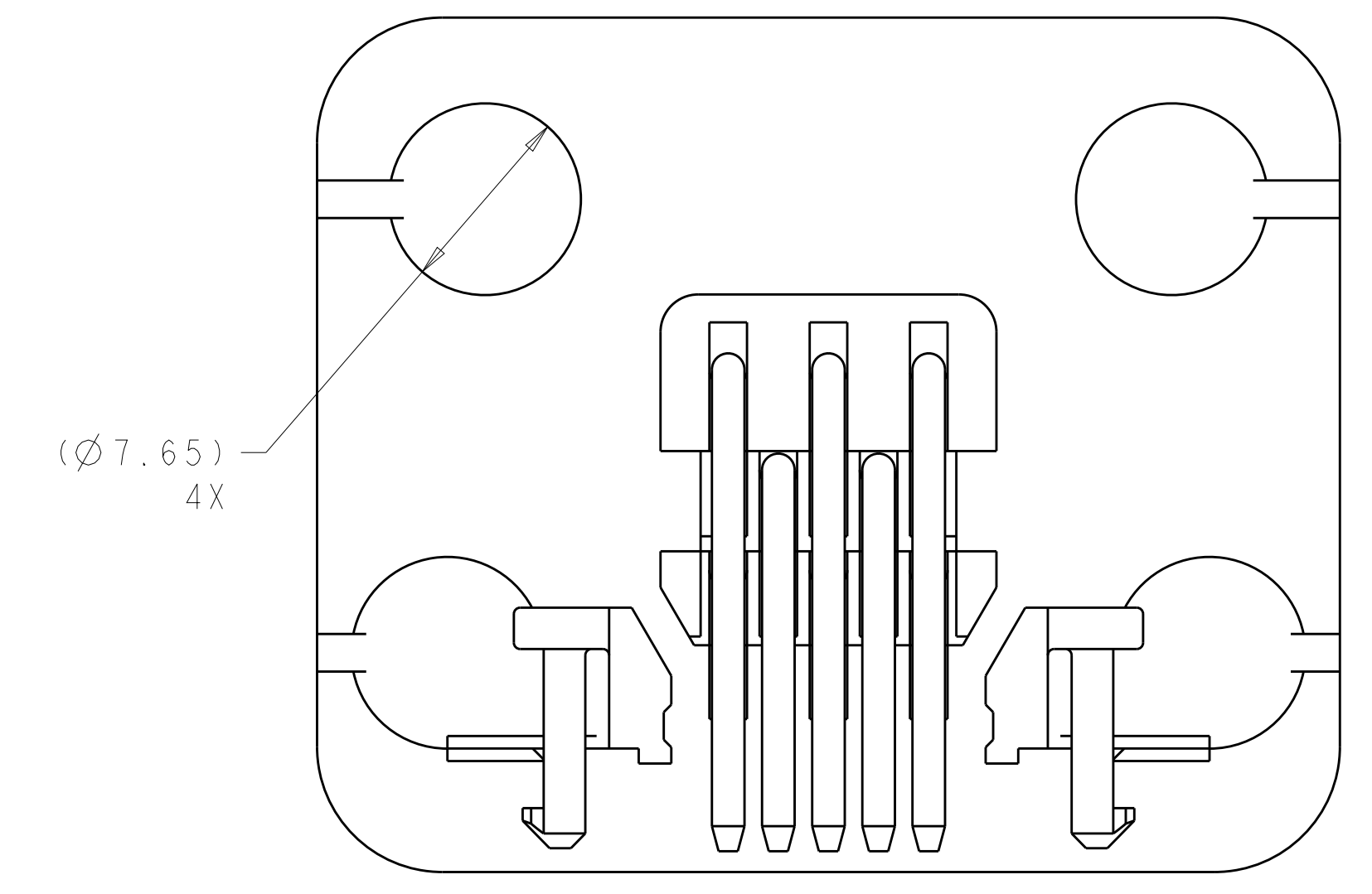
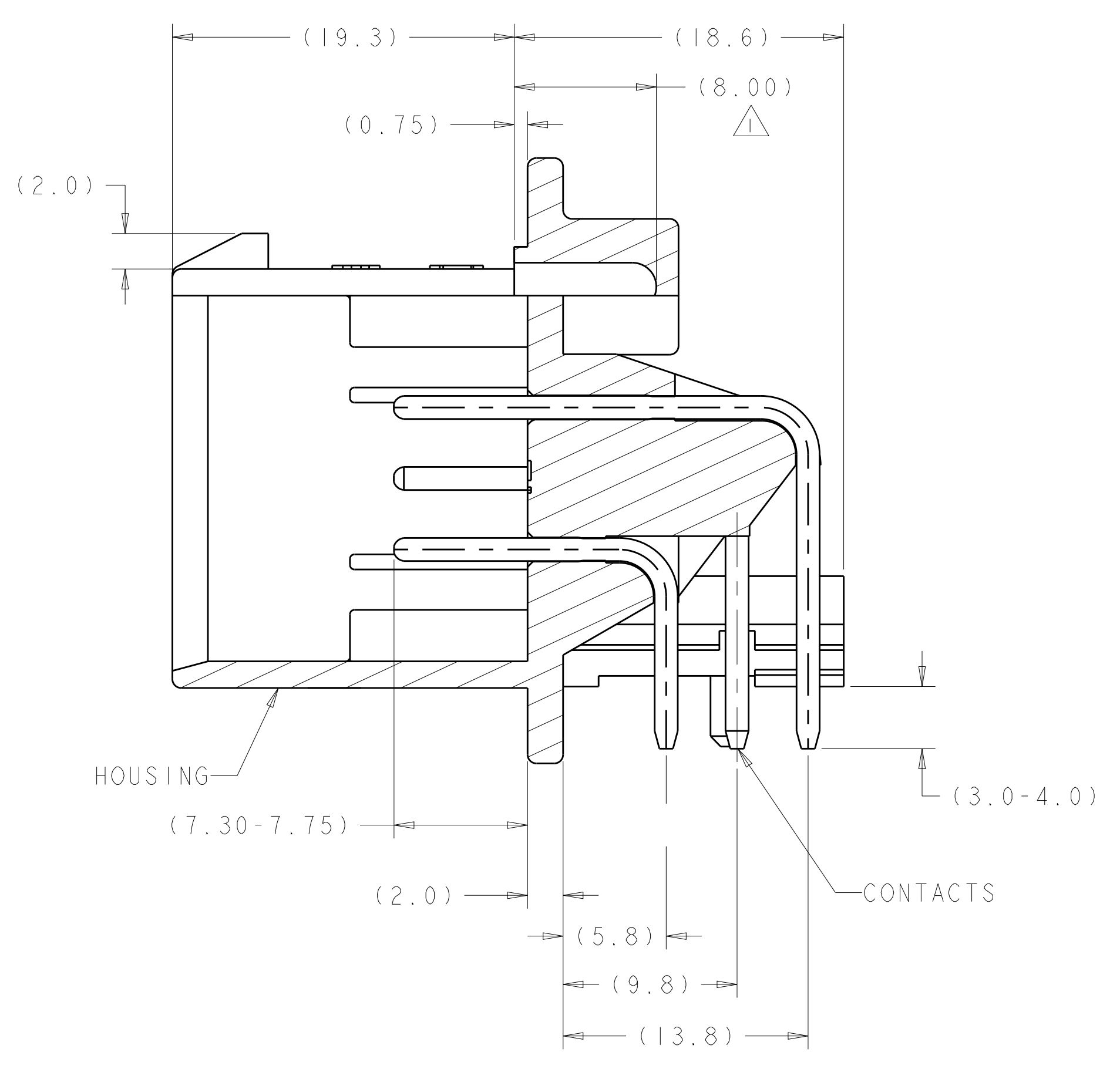
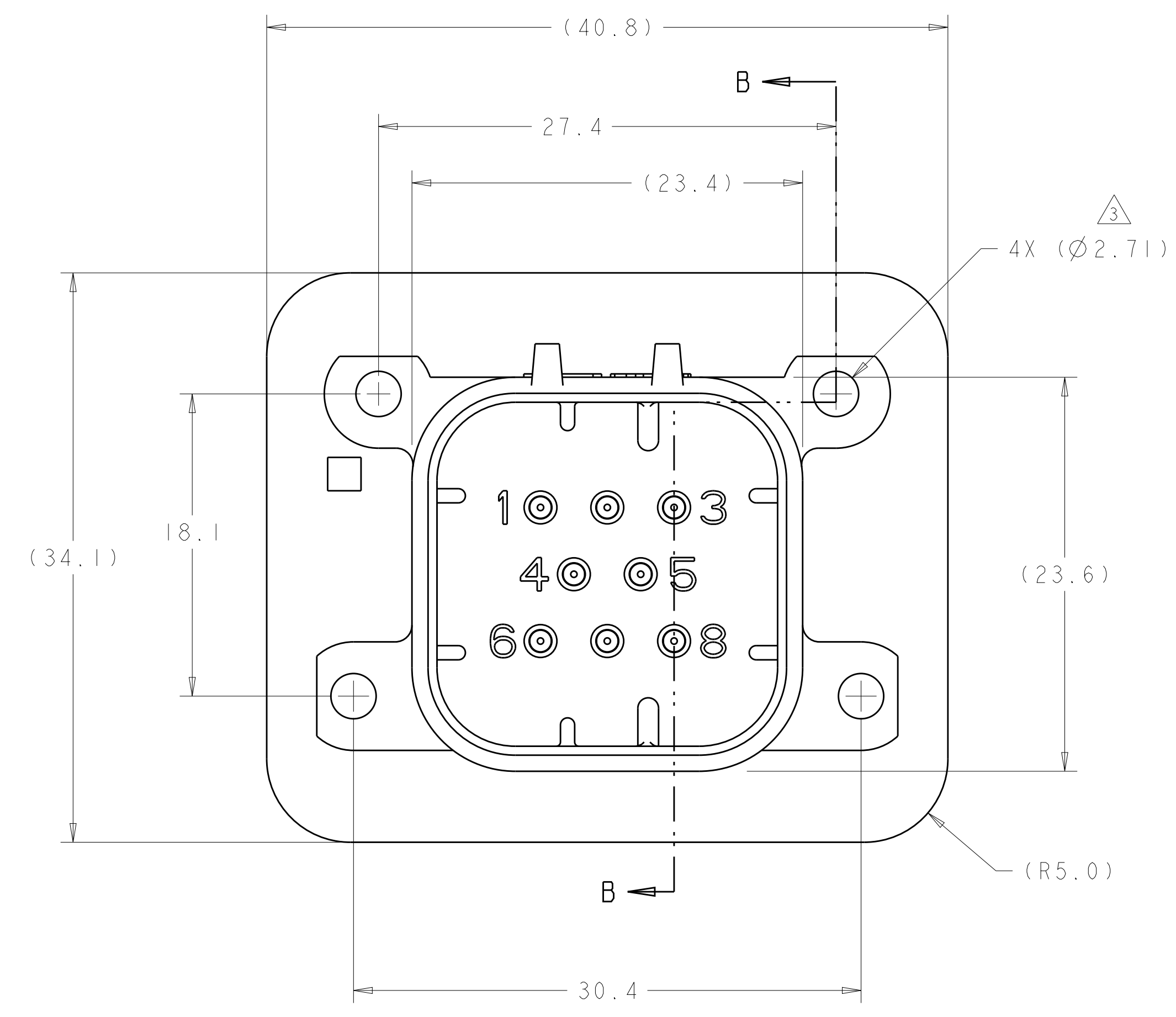
- 1 SUGGESTED MOUNTING SCREW SIZE IS $\varnothing 2.50-3.00\text{mm}$ [$\varnothing 0.099 - 0.118$ INCH] SELF TAPPING THREAD FORMING SCREW, SUCH AS DELTA PT, TO BE DRIVEN AT 0.6-0.8 N-m THE CUSTOMER SHOULD TEST THE SCREW SIZE AND TYPE IN ORDER TO VERIFY THEIR SELECTION FOR THEIR APPLICATION
- 2 HOUSING COLORS ARE MECHANICALLY KEYS TO MATE ONLY WITH IDENTICALLY COLORED PLUG ASSEMBLIES.
- 3 REFER TO PAGE 2 FOR 776279-6 ASSEMBLY DIMENSIONS, RECOMMENDED MOUNTING HOLE AND P.C. BOARD LAYOUT ARE THE SAME FOR ALL DASH NUMBERS.
- 4. HEADER MATES TO PLUG ASSEMBLY 776286 WHICH USES REELED TERMINAL 770520 AND LOOSE PIECE TERMINAL 770854.
- 5 MATERIALS: GASKET - SILICONE
 HEADER HOUSING - GLASS FILLED PBT
 PINS - TIN OR GOLD PLATED BRASS
- 6 DATE CODE TO BE BRANDED IN THIS LOCATION PER TE SPEC 102-60. USE 5 DIGIT CODE: FIRST 2 DIGITS = YEAR, SECOND 2 DIGITS = WEEK, LAST DIGIT = DAY

NATURAL	GOLD PLATED	1-776279-2
BLACK	GOLD PLATED	1-776279-1
BLACK	TIN PLATED	3 776279-6
NATURAL	TIN PLATED	776279-2
BLACK	TIN PLATED	776279-1
HEADER HOUSING COLOR	PIN	PART NUMBER

THIS DRAWING IS A CONTROLLED DOCUMENT.		OWN J. MARKEY 29FEB08	TE Connectivity NAME HEADER ASSEMBLY, 8 POSITION, RIGHT ANGLE, AMPSEAL SIZE CAGE CODE DRAWING NO A100779C=776279 RESTRICTED TO
DIMENSIONS:		CHK J. MARKEY 29FEB08	
TOLERANCES UNLESS OTHERWISE SPECIFIED:		APVD J. MARKEY 29FEB08	
mm 0 PLC ± 0.2 2 PLC ± 0.13 3 PLC ± 0.13 4 PLC ± 0.13 ANGLES $\pm 0.5^\circ$		PRODUCT SPEC 108-1329 APPLICATION SPEC 114-16016 WEIGHT 15.62g CUSTOMER DRAWING	
MATERIAL FINISH		SCALE 4:1 SHEET 1 OF 3 REV F11	

REVISIONS				
P.	LTN.	DESCRIPTION	DATE	APVD.
-	-	SEE SHEET 1	-	-

- △ ACCEPTS #4-20 SELF TAPPING THREAD FORMING TWIN HELIX PLASTITE SCREW (SINGLE HELIX OPTIMAL)
- △ HOUSING COLORS ARE MECHANICALLY KEYS TO MATE ONLY WITH IDENTICALLY COLORED PLUG ASSEMBLIES.
- △ 0° 30' MAX DRAFT FROM TOP OF HOLE (1° INCLUDED ANGLE)



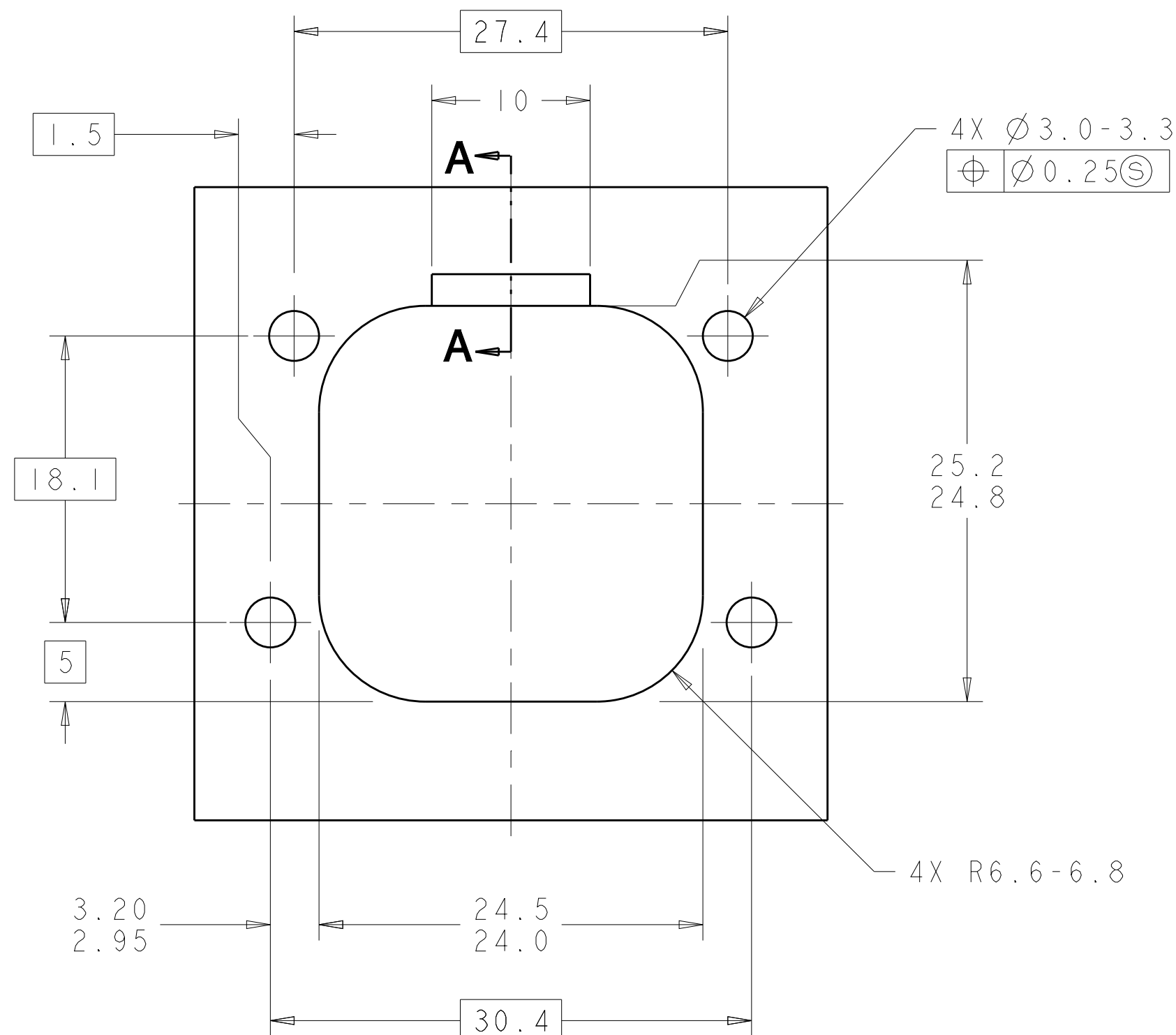
SECTION B-B

ASSEMBLY DIMENSIONS APPLY TO 776279-6 ONLY
 (HOLE LAYOUT AND P.C. BOARD LAYOUT SHOWN APPLY TO ALL DASH NUMBERS)

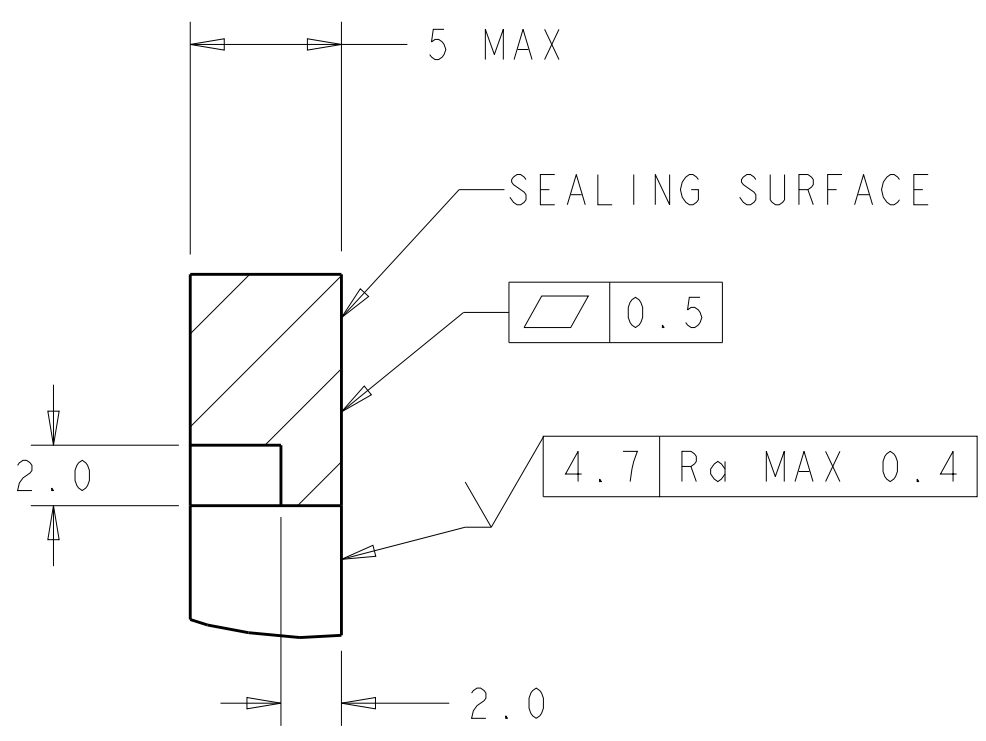
BLACK	TIN PLATED	776279-6
HEADER HOUSING COLOR	PIN	PART NUMBER

THIS DRAWING IS A CONTROLLED DOCUMENT.		DWN: J. MARKEY 29FEB08	TE Connectivity NAME: HEADER ASSEMBLY, 8 POSITION, RIGHT ANGLE, AMPSEAL SIZE: 114-16016 WEIGHT: 15.62g CUSTOMER DRAWING
DIMENSIONS: mm		CHK: J. MARKEY 29FEB08	
TOLERANCES UNLESS OTHERWISE SPECIFIED:		APVD: J. MARKEY 29FEB08	
0 PLC ± 1 PLC ±0.2 2 PLC ±0.13 3 PLC ± 4 PLC ± ANGLES ±4°		PRODUCT SPEC: 108-1329 APPLICATION SPEC: 114-16016 SCALE: 4:1 SHEET 2 OF 3	
MATERIAL FINISH		RESTRICTED TO	REV: F11

REVISIONS				
P.	LTN.	DESCRIPTION	DATE	APVD.
-	-	SEE SHEET 1	-	-

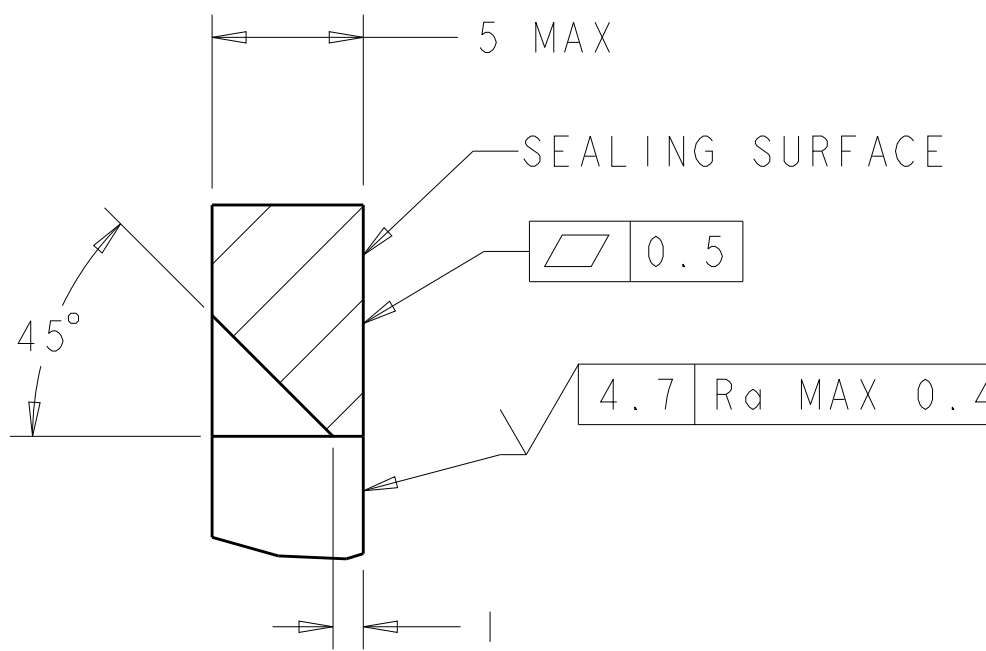


RECOMMENDED MOUNTING HOLE LAYOUT FOR 5.0 MAX THICK PANEL



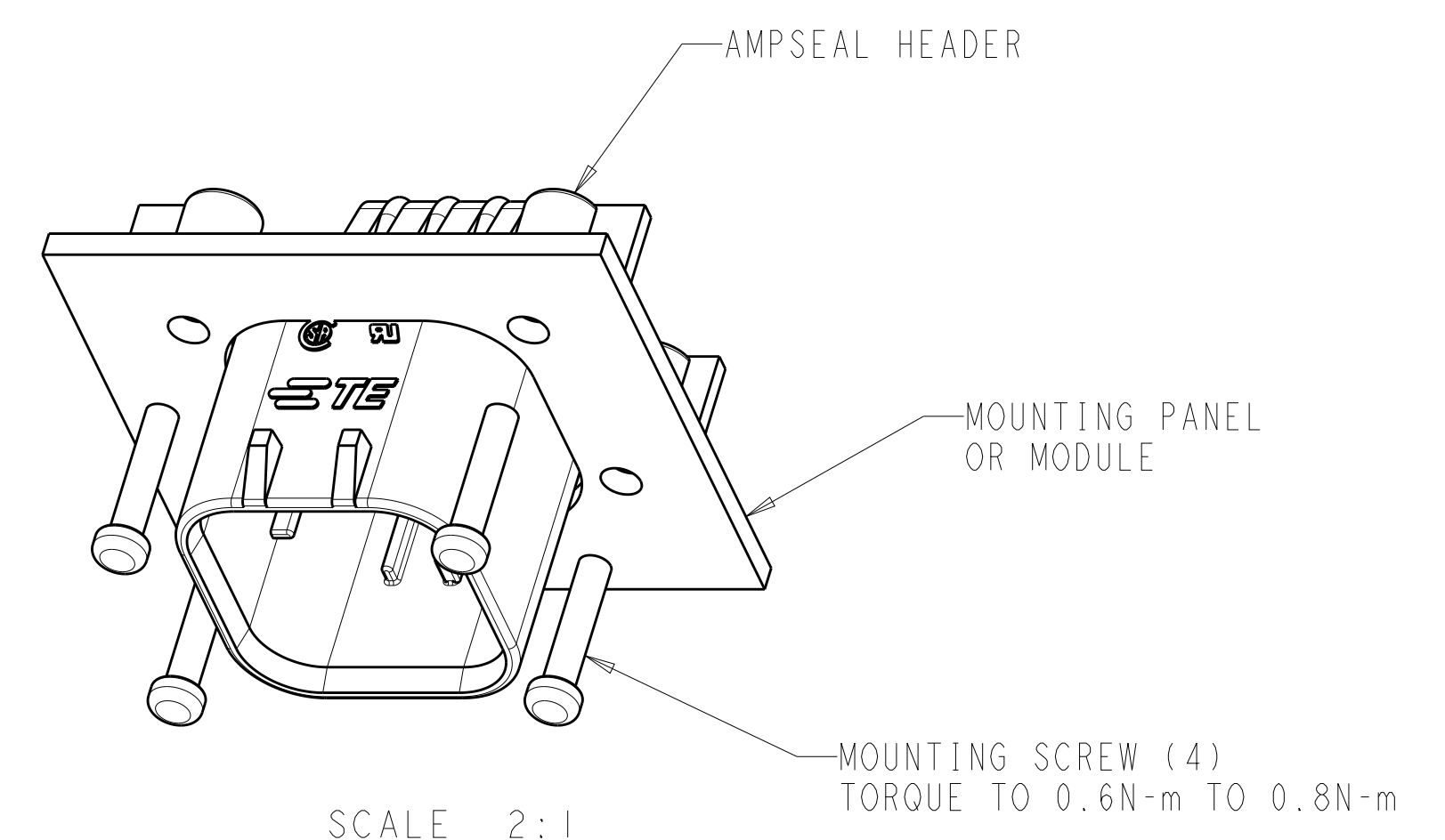
SECTION A-A
OPTIONAL CONSTRUCTION IF PANEL THICKNESS IS GREATER THAN 2.0

SCALE 4:1

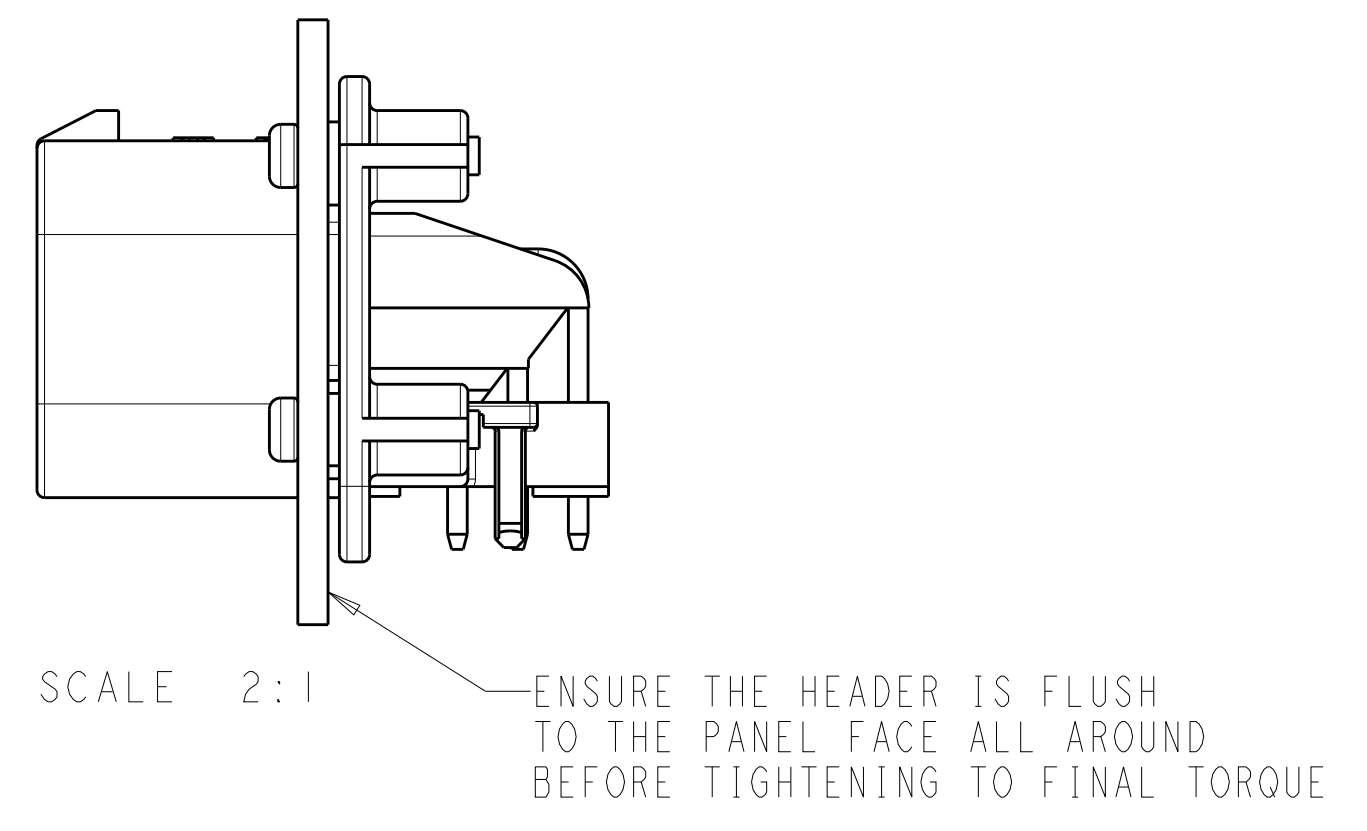


SECTION A-A
OPTIONAL CONSTRUCTION IF PANEL THICKNESS IS GREATER THAN 2.0

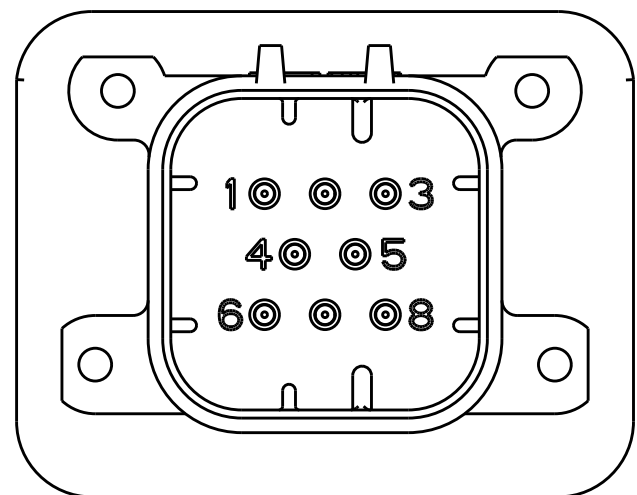
SCALE 4:1



SCALE 2:1

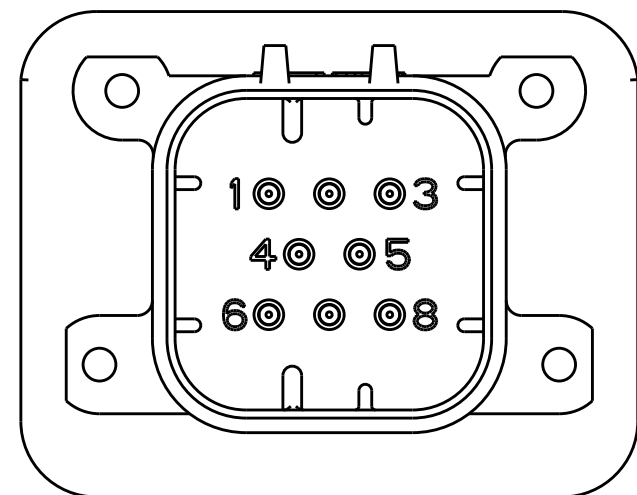


SCALE 2:1



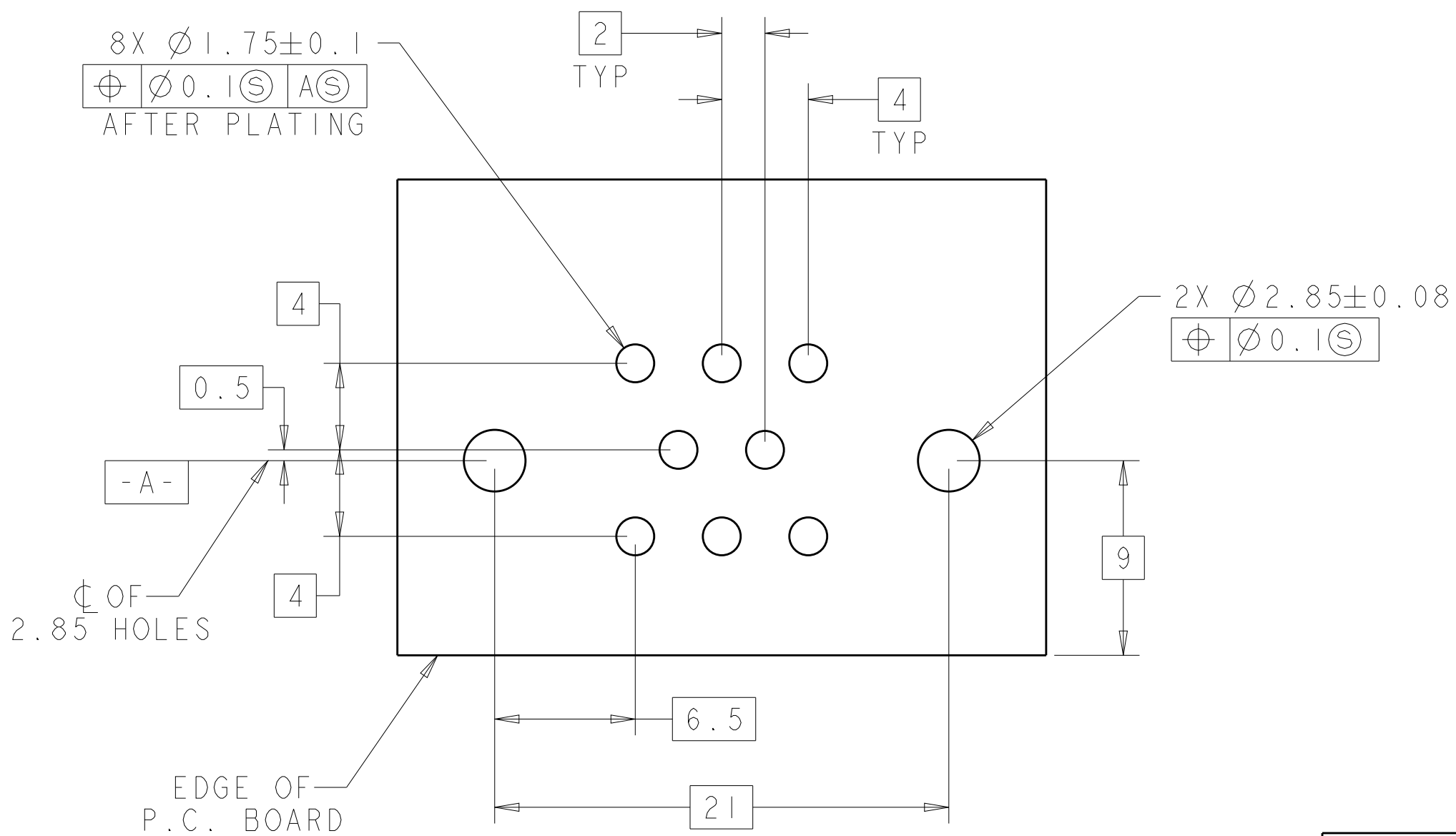
776279-1, 776279-6 & 1-776279-1
KEY LOCATION

SCALE 2:1



776279-2 & 1-776279-2
KEY LOCATION

SCALE 2:1



RECOMMENDED P.C. BOARD LAYOUT FOR 1.57 THICK P.C. BOARD

THIS DRAWING IS A CONTROLLED DOCUMENT.		DWN J. MARKEY 29FEB08 CHK J. MARKEY 29FEB08 APVD J. MARKEY 29FEB08	TE Connectivity
DIMENSIONS: mm TOLERANCES UNLESS OTHERWISE SPECIFIED: 0 PLC ±0.2 1 PLC ±0.13 2 PLC ±0.13 3 PLC ±0.13 4 PLC ±0.13 ANGLES ±45°		NAME: HEADER ASSEMBLY, 8 POSITION, RIGHT ANGLE, AMPSEAL PRODUCT SPEC: 108-1329 APPLICATION SPEC: 114-16016 WEIGHT: 15.62g	
MATERIAL FINISH		SIZE: CAGE CODE DRAWING NO: A100779 CUSTOMER DRAWING: C=776279	RESTRICTED TO: - SCALE: 4:1 SHEET 3 OF 3 REV: F