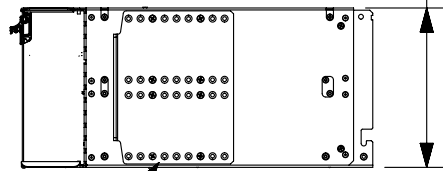
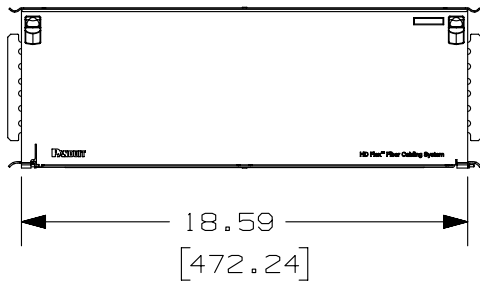
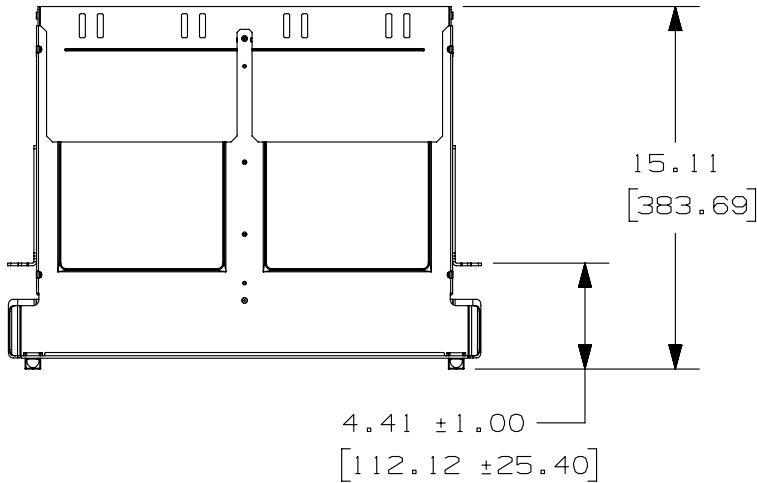


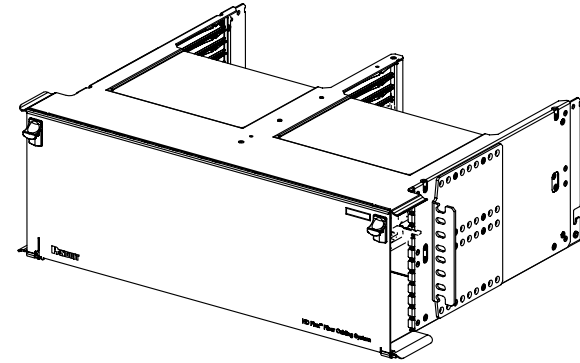
THIS COPY IS PROVIDED ON A RESTRICTED BASIS AND IS NOT TO BE USED IN ANY WAY DETRIMENTAL TO THE INTERESTS OF PANDUIT CORP.

NOTES:

1. SEE CATALOG FOR COMPLETE LIST OF PARTS APPLICABLE FOR USE WITH THIS PART.
2. DIMENSIONS IN BRACKETS ARE METRIC.
3. MATERIAL: GALVANNEALED STEEL
COLOR: BLACK
4. MOUNTING BRACKETS AJUSTABLE IN 1/2" INCREMENTS.
5. ALL MATERIALS AND COMPONENTS USED MEET THE MATERIAL RESTRICTIONS OF RoHS (EUROPEAN DIRECTIVE 2011/65/EC ON THE RESTRICTION OF HAZARDOUS SUBSTANCES) AS PROPOSED BY THE RoHS TECHNICAL ADAPTATION COMMITTEE.



2X MOUNTING BRACKET
(SEE NOTE 4)



PANDUIT PART NO.	WEIGHT
FLEX4U	30.25 lbs (13.75 kg)

REV	DATE	BY	CHK	APR	DESCRIPTION	ECN
00	01-15-15	SAT	JESA	TMK	RELEASED TO PRODUCTION	12F187AK-DC

TITLE HD FLEX 4RU ENCLOSURE (FLEX4U) CUSTOMER DRAWING	
ITEM REVISION NAME 12F187AK/05	PANDUIT
DATASET FILE NAME 12F187AK_DC/05B	
UNLESS OTHERWISE SPECIFIED, DIMENSIONAL TOLERANCES ARE: IN (mm) DIMENSIONS ARE FOR REFERENCE ONLY	
PART NO. FLEX4U	
DRAWING NUMBER: 12F187AK-DC	
DRAWN BY SAT	DATE 11-13-14
CHK JESA	SCALE 1 : 8
THIRD ANGLE PROJECTION	
SHT 1 OF 1	
SIZE A	