

HC-D 40-I-CT-F - Contact insert



1584428

<https://www.phoenixcontact.com/us/products/1584428>

Please be informed that the data shown in this PDF document is generated from our online catalog. Please find the complete data in the user documentation. Our general terms of use for downloads are valid.



Contact insert, number of positions: 40+PE, size: B16, number of connections per position: 1, Socket, Crimp connection, 250 V, 10 A, 0.14 mm² ... 2.5 mm², application: Signal

Your advantages

- Can be used in rail vehicles, satisfy DIN EN 45545-2 with requirement sets R22, R23, and R24 in hazard levels HL1, HL2, and HL3.
- For fast coding with plastic profile (Order No. 1410916, type CP-HC-S)

Commercial data

| | |
|--------------------------------------|---------------------|
| Item number | 1584428 |
| Packing unit | 1 pc |
| Minimum order quantity | 1 pc |
| Sales key | BF61 |
| Product key | BF7ABE |
| Catalog page | Page 535 (C-2-2019) |
| GTIN | 4046356142687 |
| Weight per piece (including packing) | 60 g |
| Weight per piece (excluding packing) | 57.7 g |
| Customs tariff number | 85389099 |
| Country of origin | CN |

HC-D 40-I-CT-F - Contact insert



1584428

<https://www.phoenixcontact.com/us/products/1584428>

Technical data

Notes

| | |
|---------|---|
| General | For HEAVYCON ADVANCE and HEAVYCON housing of type B16, crimp contacts: CK 1,6-ED... (not included in scope of supply) |
| General | Connectors may be operated only when there is no load/voltage. |
| General | It is imperative that guide pins (HC-CST) and sockets (HC-CBU) are used to prevent tip collision due to misalignment. |
| General | This product replaces 1679537 HC-D 40-EBUC-R |

Mounting

| | |
|-----------------------|---|
| Assembly instructions | To ensure correct use, installation in housing with IP54 protection or better is required |
|-----------------------|---|

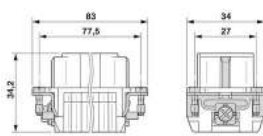
Product properties

| | |
|------------------------------------|--|
| Type | B16 B32 |
| Product type | Contact insert with a fixed no. of positions |
| Number of positions | 40 |
| Note number of positions | 40+PE |
| Connection profile | 40+PE |
| Application | Signal |
| Number of connections per position | 1 |
| Contact material type | turned rolled |
| Series | HC-D |

Insulation characteristics

| | |
|----------------------|-----|
| Overvoltage category | III |
| Degree of pollution | 3 |

Dimensions

| | |
|---------------------------------|--|
| Dimensional drawing |  |
| Width | 34 mm |
| Height | 36 mm |
| Length | 83 mm |
| Drill hole distance, horizontal | 77.5 mm |

Mechanical characteristics

| | |
|------------------|--------|
| Contact diameter | 1.6 mm |
|------------------|--------|

HC-D 40-I-CT-F - Contact insert



1584428

<https://www.phoenixcontact.com/us/products/1584428>

Connection data

Connection technology

| | |
|------------------------------------|------------------|
| Connection technology | Crimp connection |
| Number of connections per position | 1 |
| Connection in acc. with standard | IEC / EN |

Conductor connection

| | |
|---|---|
| Conductor cross section | 0.14 mm ² ... 2.5 mm ² |
| Connection cross section AWG | 26 ... 14 |
| Tightening torque | 0.8 Nm ... 1.2 Nm (PE connection) 0.5 Nm ... 0.8 Nm (Mounting screws for mounting in the HEAVYCON housing) |
| Stripping length of the individual wire | 8 mm (0.14 mm ² ... 1.5 mm ²) |
| | 6 mm (2.5 mm ²) |

Electrical properties

| | |
|-----------------------|----------------|
| Rated voltage (III/3) | 250 V |
| Rated surge voltage | 4 kV |
| Rated current | 10 A |
| SCCR | 5 kA (UL 2237) |

Mechanical properties

Mechanical data

| | |
|-----------------------------|-------|
| Insertion/withdrawal cycles | ≥ 500 |
|-----------------------------|-------|

Material specifications

| | |
|--|---|
| Flammability rating according to UL 94 | V0 |
| Contact material | Copper alloy |
| Contact surface material | Ag (alternatively Au) |
| Contact carrier material | PC |
| Standards/regulations | PC: Fire protection in rail vehicles - requirement sets R22, R23, and R24 acc. to DIN EN 45545-2 (Risk level HL1 - HL3) |

Environmental and real-life conditions

Ambient conditions

| | |
|---------------------------------|--|
| Ambient temperature (operation) | -40 °C ... 125 °C (including heating up of contacts) |
|---------------------------------|--|

Standards and regulations

| | |
|--|----------------------------|
| Constructional and testing regulations | DIN VDE 0627/86 |
| | DIN VDE 0110/02.79 |
| | DIN VDE 0110-1/04.97 |
| | IEC 60664-1, DIN IEC 60512 |
| | IEC 60352 |

HC-D 40-I-CT-F - Contact insert



1584428

<https://www.phoenixcontact.com/us/products/1584428>

| Testing | |
|-----------------------|---|
| Tests | DIN VDE 0627/86 |
| | DIN VDE 0110/02.79 |
| | DIN VDE 0110-1/04.97 |
| | IEC 60664-1, DIN IEC 60512 |
| | IEC 60352 |
| Standards/regulations | PC: Fire protection in rail vehicles - requirement sets R22, R23, and R24 acc. to DIN EN 45545-2 (Risk level HL1 - HL3) |

HC-D 40-I-CT-F - Contact insert



1584428

<https://www.phoenixcontact.com/us/products/1584428>

Approvals

To download certificates, visit the product detail page: <https://www.phoenixcontact.com/us/products/1584428>

DNV

Approval ID: TAE000037S



CSA

Approval ID: 13631

| Nominal voltage U_N | Nominal current I_N | Cross section AWG | Cross section mm^2 |
|-----------------------|-----------------------|-------------------|-----------------------------|
| 600 V | 7 A | - 14 | - |



UL Recognized

Approval ID: FILE E 118976

| Nominal voltage U_N | Nominal current I_N | Cross section AWG | Cross section mm^2 |
|-----------------------|-----------------------|-------------------|-----------------------------|
| 600 V | 10 A | - | - |



EAC

Approval ID: RU C-DE.AI30.B.01102



UL Recognized

Approval ID: E468743

| Nominal voltage U_N | Nominal current I_N | Cross section AWG | Cross section mm^2 |
|-----------------------|-----------------------|-------------------|-----------------------------|
| 600 V | 10 A | - | - |



EAC

Approval ID: RU C-DE.BL08.B.00511

HC-D 40-I-CT-F - Contact insert



1584428

<https://www.phoenixcontact.com/us/products/1584428>

Classifications

ECLASS

| | |
|-------------|----------|
| ECLASS-11.0 | 27440205 |
| ECLASS-12.0 | 27440205 |
| ECLASS-13.0 | 27440205 |

ETIM

| | |
|----------|----------|
| ETIM 8.0 | EC000438 |
|----------|----------|

UNSPSC

| | |
|-------------|----------|
| UNSPSC 21.0 | 39121500 |
|-------------|----------|

HC-D 40-I-CT-F - Contact insert



1584428

<https://www.phoenixcontact.com/us/products/1584428>

Environmental product compliance

| | |
|------------|---|
| China RoHS | Environmentally friendly use period: unlimited = EFUP-e |
| | No hazardous substances above threshold values |

Phoenix Contact 2023 © - all rights reserved
<https://www.phoenixcontact.com>

Phoenix Contact USA
586 Fulling Mill Road
Middletown, PA 17057, United States
(+717) 944-1300
info@phoenixcon.com