

# Customer Information Sheet

DRAWING No.: M80-FCXXX68F2-XXXXL

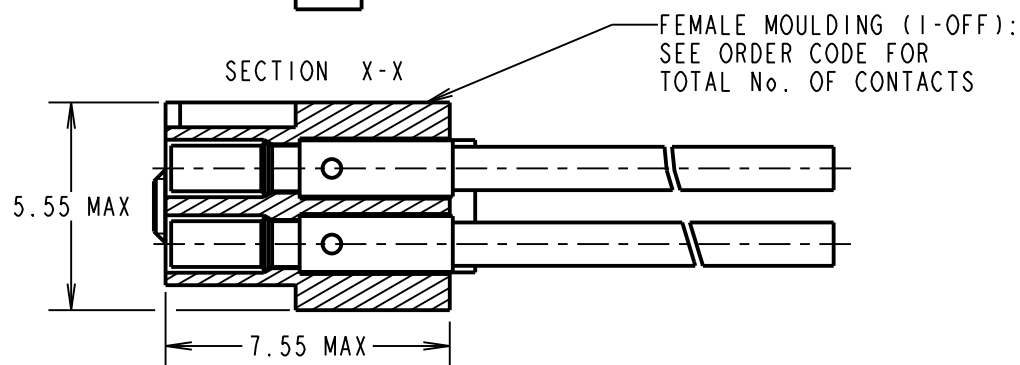
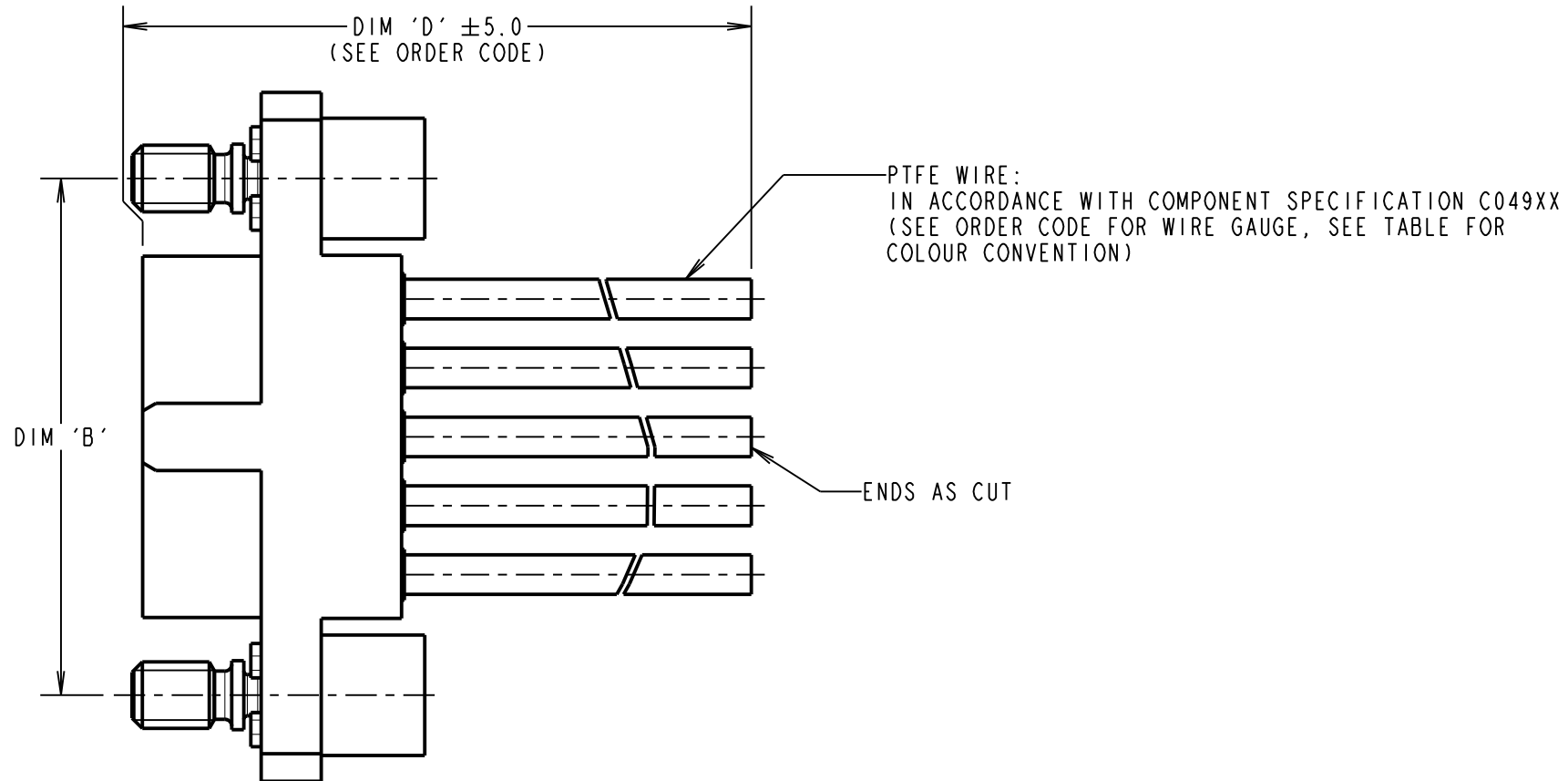
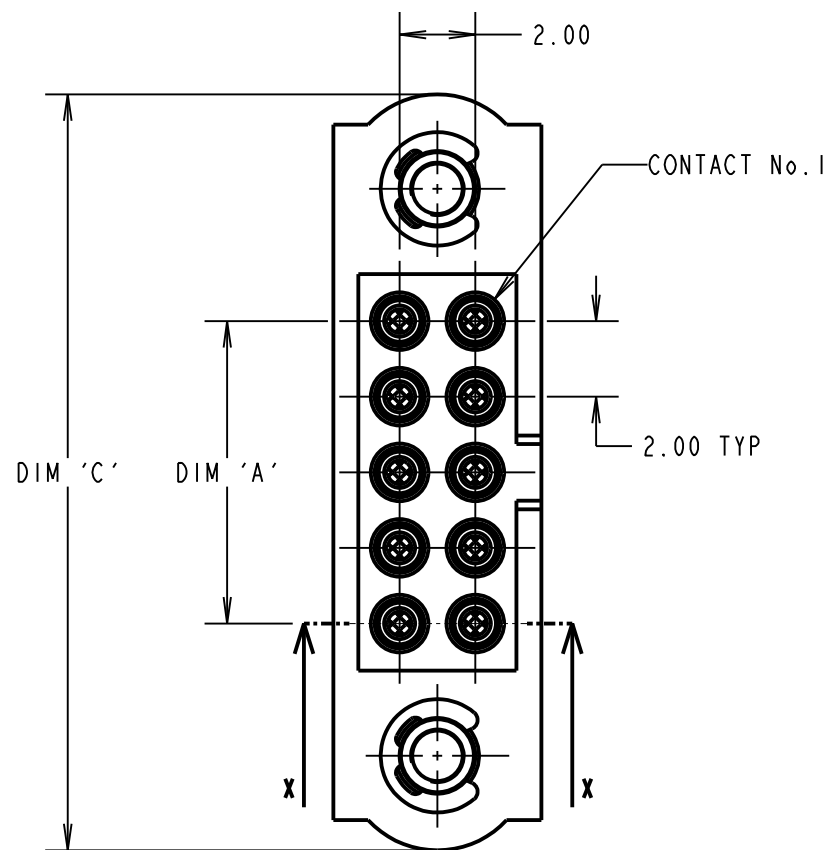
IF IN DOUBT - ASK

©

NOT TO SCALE

THIRD ANGLE PROJECTION

ALL DIMENSIONS IN mm



CONTACT No.	WIRE COLOUR
1	BLACK
2	BROWN
3	RED
4	ORANGE
5	YELLOW
6	GREEN
7	BLUE
8	VIOLET
9	GREY
10	WHITE

WIRE COLOURS REPEAT IN ABOVE ORDER FOR CONNECTOR ASSEMBLIES OVER 10 CONTACTS.

- NOTES:
- CABLE ASSEMBLIES WILL BE BULK PACKED IN BAGS.
  - FOR COMPLETE SPECIFICATION, SEE COMPONENT SPECIFICATION C005XX (LATEST ISSUE) AND C049XX (LATEST ISSUE).

DIMENSION	MEASUREMENT
DIM 'A'	TOTAL No. OF CONTACTS - 2.00
DIM 'B'	TOTAL No. OF CONTACTS + 5.00
DIM 'C'	TOTAL No. OF CONTACTS + 10.0

EXAMPLE PART No. :  
 10 CONTACT CONNECTOR WITH 150mm OF 22AWG WIRE = M80-FC11068F2-0150L  
 50 CONTACT CONNECTOR WITH 450mm OF 26AWG WIRE = M80-FC35068F2-0450L

ORDER CODE:  
**M80-FCXXX68F2-XXXXL**

- WIRE AWG: \_\_\_\_\_
- 1 = 22AWG (LARGE BORE)
  - 2 = 24AWG (SMALL BORE)
  - 3 = 26AWG (SMALL BORE)
  - 4 = 28AWG (SMALL BORE)
  - 5 = 30AWG (EXTRA SMALL BORE)

DIM 'D' LENGTH:  
 0060 = 60mm MIN  
 9999 = 9999mm MAX  
 (SEE TABLE FOR EXAMPLES)

TOTAL No. OF CONTACTS: \_\_\_\_\_  
 04 TO 50  
 EVEN NUMBERS ONLY

RA	5	27.11.20	30302
NAME	ISS.	DATE	CN/CO
APPROVED: R.ALEXANDER			
CHECKED: R.PORTLOCK			
DRAWN: R.PORTLOCK			
CUSTOMER REF.:			
ASSEMBLY DRG:			

**HARWIN**

www.harwin.com  
 technical@harwin.com

THIS DRAWING AND ANY INFORMATION OR DESCRIPTIVE MATTER SET OUT HEREON ARE CONFIDENTIAL AND COPYRIGHT PROPERTY OF THE HARWIN GROUP AND MUST NOT BE DISCLOSED, LOANED, COPIED OR USED FOR MANUFACTURING, TENDERING OR FOR ANY OTHER PURPOSE WITHOUT THEIR WRITTEN PERMISSION.

TOLERANCES  
 X. = ±1mm  
 X.X = ±0.50mm  
 X.XX = ±0.20mm  
 X.XXX = ±0.01mm  
 ANGLES = ±5°  
 UNLESS STATED

MATERIAL: SEE ABOVE  
 FINISH: SEE ABOVE  
 S/AREA: mm<sup>2</sup>

TITLE: M80 FEMALE SINGLE-ENDED CABLE ASSEMBLY WITH HEX SOCKET JACKSCREWS

DRAWING NUMBER:  
**M80-FCXXX68F2-XXXXL**

SHT 2 OF 2