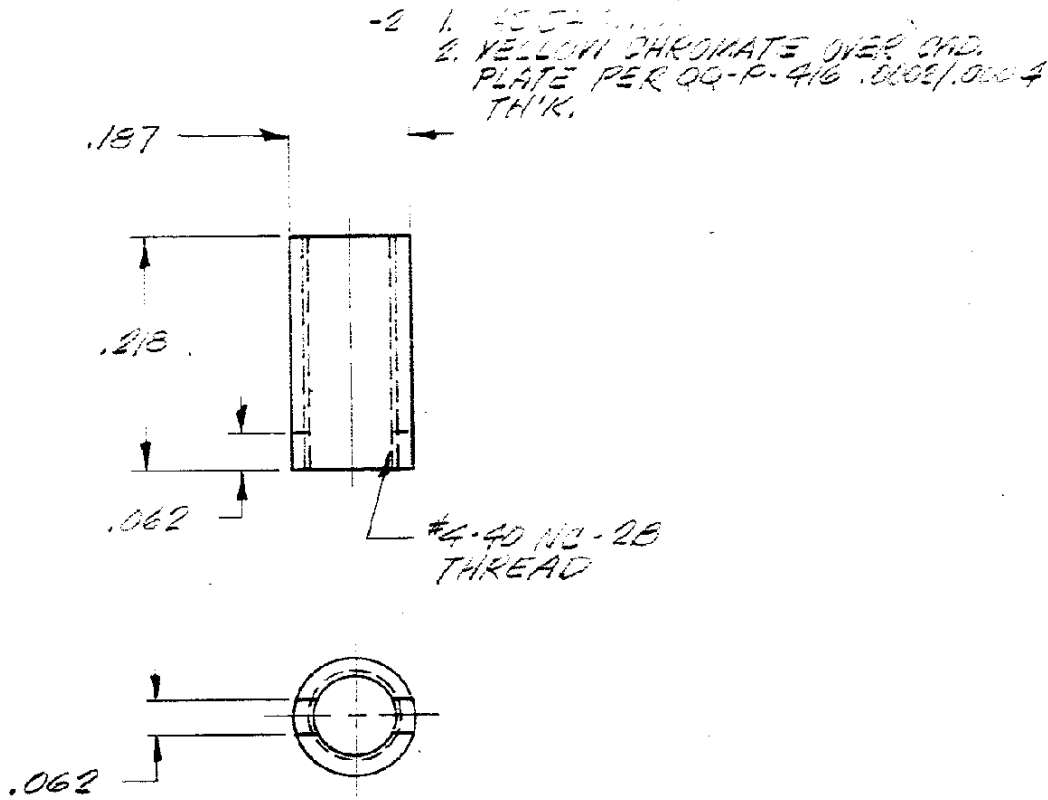


DRAWING MADE IN THIRD ANGLE PROJECTION

LOC *R* DIST *39*

© COPYRIGHT 1978 BY AMP INCORPORATED, HARRISBURG, PA. ALL INTERNATIONAL RIGHTS RESERVED. AMP INCORPORATED PRODUCTS COVERED BY U. S. AND FOREIGN PATENTS AND /OR PATENTS PENDING.

REVISIONS				
LTR	DESCRIPTION	DATE	APPROVED	P/F
<i>0</i>	<i>RELEASED</i>	<i>8/30/78</i>	<i>[Signature]</i>	<i>✓</i>



PART NO

UNLESS OTHERWISE SPECIFIED DIMENSIONS ARE IN INCHES. TOLERANCES ON: DECIMALS $\pm .005$ ANGLES $\pm \#$

CONTRACT NO
DR *F. Lippman 8/30/78*



AMP INCORPORATED
Harrisburg, Pa.

CHK *Richard Hunt #* 9/11/78

NAME

POLARIZING POST NUT

MATERIAL
BRASS PER QQ-B-626

APPD *Schneider 9/5/78*
APPD *J. Wise 9/5/78*

SIZE CODE IDENT NO DRAWING NO

A **00779** *202356*

FINISH
SEE DASH NO.

DSGN APPD

OTHER APPD

SCALE *#*

SHEET *#*