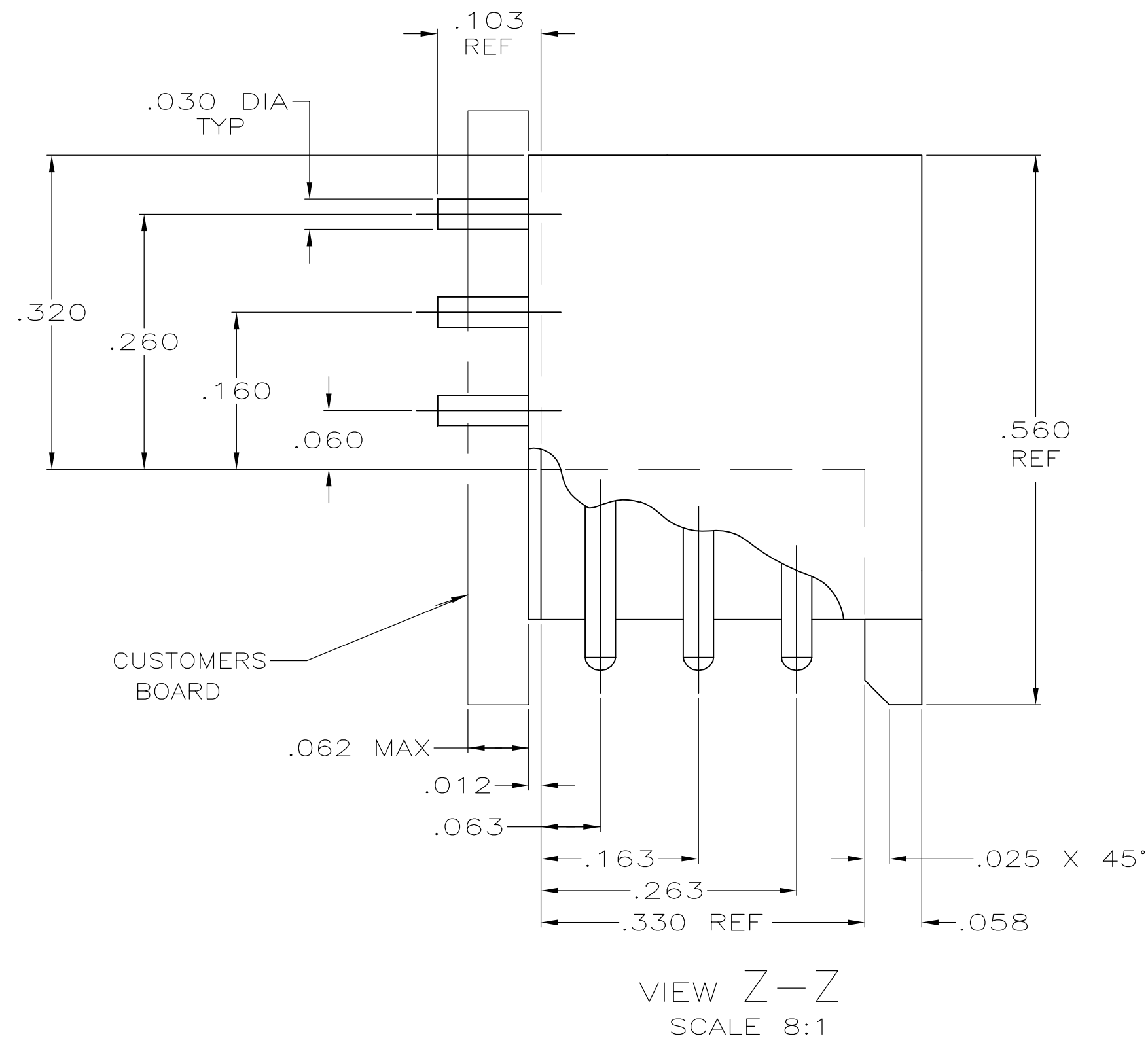
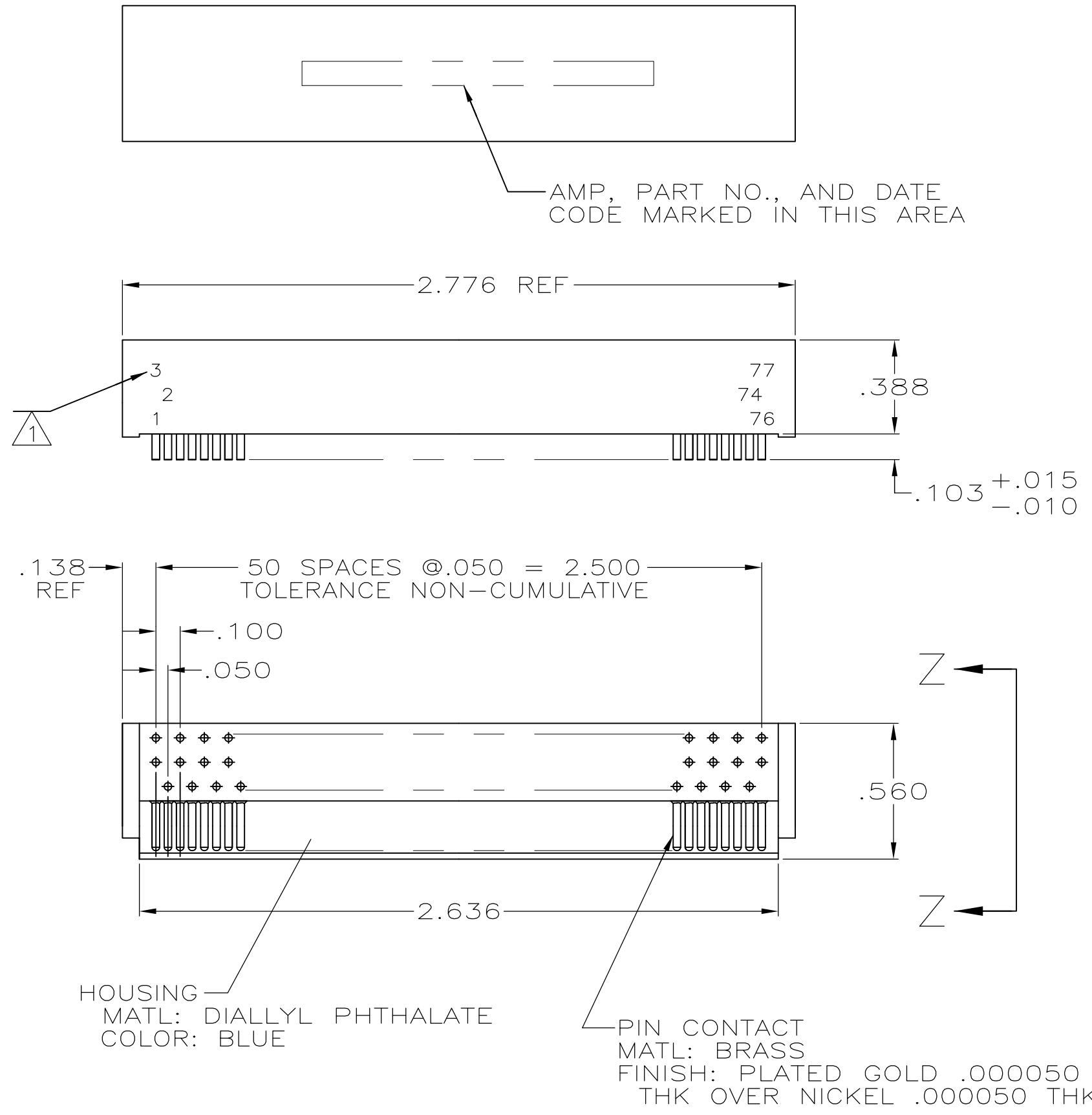
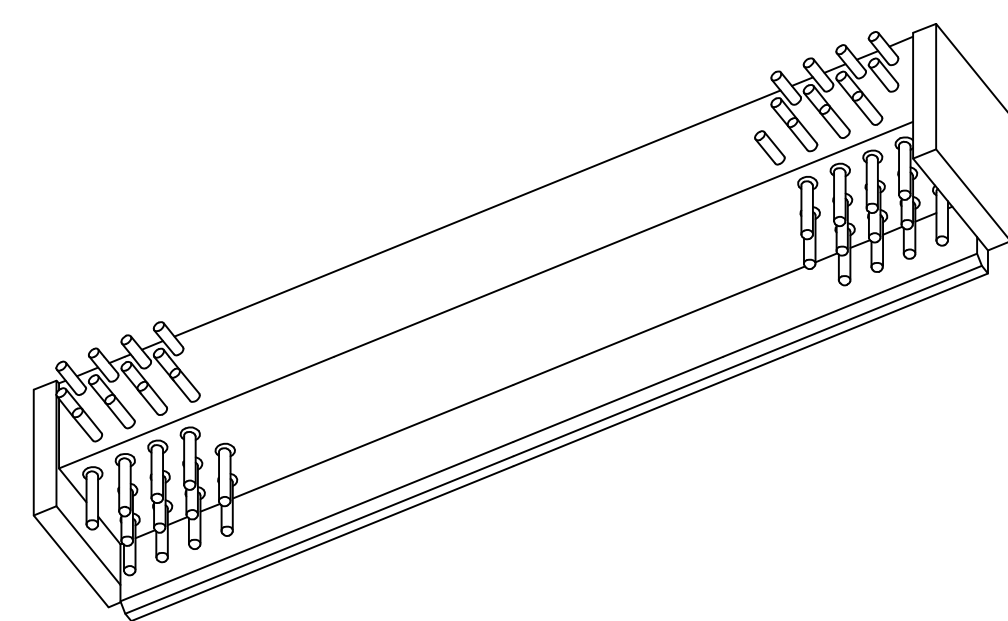


THIS DRAWING IS UNPUBLISHED. RELEASED FOR PUBLICATION  
 © COPYRIGHT BY TYCO ELECTRONICS CORPORATION. ALL RIGHTS RESERVED.

LOC		DIST		REVISIONS			
P	LTR	DESCRIPTION	DATE	DWN	APVD		
	C	REV PER ECO 10-002921	23MAR10	PY	DM		



⚠ PIN IDENTIFICATION CORRESPONDING TO END PIN IN EACH ROW OF MATING FACE. MARKING TO BE DONE ON BACK FACE OF BLOCK AS INDICATED.



77	445397-1
NO OF POSN	PART NUMBER

THIS DRAWING IS A CONTROLLED DOCUMENT.		DWN 2-28-08 C.C.THOMAS	Tyco Electronics Corporation Harrisburg, PA 17105-3608	
DIMENSIONS: INCHES		CHK 2-28-08 J.WEAVER	NAME	
TOLERANCES UNLESS OTHERWISE SPECIFIED:		APVD 2-28-08 J.WEAVER	PRODUCT SPEC	
MATERIAL SEE CALLOUTS		FINISH SEE CALLOUTS	APPLICATION SPEC	
WEIGHT		SIZE A2	CAGE CODE 00779	DRAWING NO C=445397
CUSTOMER DRAWING		RESTRICTED TO		SCALE 2:1 SHEET 1 of 1 REV C

445397