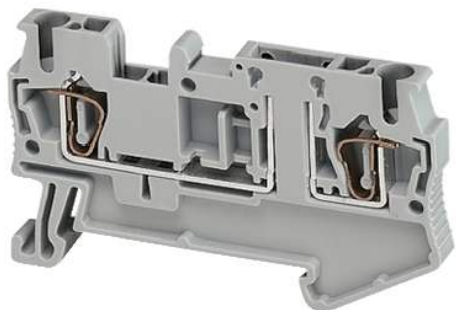


# NSYTRR22TB

## SPRING TERMINAL, BASIC DISCONNECT TERMINAL, 2 POINTS, 4MM<sup>2</sup>, GREY



### Main

Range	Linergy
Product name	Linergy TR
Product or Component Type	Terminal block
Device short name	TRR
Terminal block type	Removable carrier disconnect
Associated connection component	Blade Diode Cylindrical fuse
Terminal block level	1
Mounting Mode	Clip-on
Nominal cross section	0.00 in <sup>2</sup> (2.5 mm <sup>2</sup> )
Length	2.38 in (60.5 mm)
Color	Gray
Quantity per Set	Set of 50

### Complementary

Fuse size	5 x 20 mm 6 x 32 mm
Width	0.20 in (5.2 mm)
Height	1.44 in (36.5 mm)
Connections - terminals	1 x spring terminal upstream 1 x spring terminal downstream
Number of connections	2
Connection position	Top
Number of measurement input	2
Cable cross section	0.00...0.00 In <sup>2</sup> (0.08...2.5 mm <sup>2</sup> ), flexible without cable end 0.00...0.01 in <sup>2</sup> (0.8...4 mm <sup>2</sup> ), solid
Wire stripping length	0.39 in (10 mm)
Tool type	Disconnection flat screwdriver Connection flat screwdriver
[Ue] rated operational voltage	400 V EN/IEC 60947-7-1 300 V cURus 300 V CSA
Line Rated Current	20 A EN/IEC 60947-7-1 16 A CSA 16 A cURus
Material	Polyamide 6/6 insulating case
Dielectric loss	0.01 at 1 MHz IEC 60250 0.01 at 1 MHz VDE 0303-T4
Dielectric constant	3.7 at 1 MHz
Resistivity	10000 MΩ.M IEC 60093 10000 MΩ.m VDE 0303-T30
Surface resistance	1000 GΩ IEC 60093 1000 GΩ VDE 0303-T30
Creep resistance	500 CTI (> 400 kV) IEC 60093 500 CTI (> 400 kV) VDE 0303-T30
Flame retardance	V0 0.03 in (0.8 mm) UL 94
Net Weight	0.27 oz (7.7 g)

The information provided in this documentation contains general descriptions and/or technical characteristics of the performance of the products contained herein. This documentation is not intended as a substitute for and is not to be used for determining suitability or reliability of these products for specific user applications. It is the duty of any such user or integrator to perform the appropriate and complete risk analysis, evaluation and testing of the products with respect to the relevant specific application or use thereof. Neither Schneider Electric Industries SAS nor any of its affiliates or subsidiaries shall be responsible or liable for misuse of the information contained herein.

Range compatibility	Prisma G Prisma P Prisma PH Prisma Pack Spacial Kaedra Pragma TeSys
Product Compatibility	Spacial enclosures

## Environment

Product Certifications	CURus EAC CSA
Dielectric strength	1000 V IEC 60243-1
Ambient air temperature for operation	-40...266 °F (-40...130 °C) IEC 60216-1 -40...266 °F (-40...130 °C) VDE 0304-T21

## Ordering and shipping details

Category	21715-IEC TERMINAL BLOCKS-NSY,AM1,DF6,GK1
Discount Schedule	CP5
GTIN	3606480532955
Nbr. of units in pkg.	1
Package weight(Lbs)	0.25 oz (7.0 g)
Returnability	No
Country of origin	DE

## Packing Units

Unit Type of Package 1	PCE
Package 1 Height	1.77 in (4.5 cm)
Package 1 width	2.76 in (7 cm)
Package 1 Length	10.63 in (27 cm)
Unit Type of Package 2	BB1
Number of Units in Package 2	50
Package 2 Weight	13.40 oz (380.0 g)
Package 2 Height	1.77 in (4.5 cm)
Package 2 width	2.76 in (7 cm)
Package 2 Length	10.63 in (27 cm)
Unit Type of Package 3	S02
Number of Units in Package 3	650
Package 3 Weight	11.78 lb(US) (5.344 kg)
Package 3 Height	5.91 in (15 cm)
Package 3 width	11.81 in (30 cm)
Package 3 Length	15.75 in (40 cm)

## Offer Sustainability

Sustainable offer status	Green Premium product
REACH Regulation	 <a href="#">REACH Declaration</a>
REACH free of SVHC	Yes
EU RoHS Directive	Pro-active compliance (Product out of EU RoHS legal scope)  <a href="#">EU RoHS Declaration</a>
Toxic heavy metal free	Yes
Mercury free	Yes
RoHS exemption information	 Yes
China RoHS Regulation	 <a href="#">China RoHS Declaration</a>
Environmental Disclosure	 <a href="#">Product Environmental Profile</a>
Halogen content performance	Halogen free plastic parts product