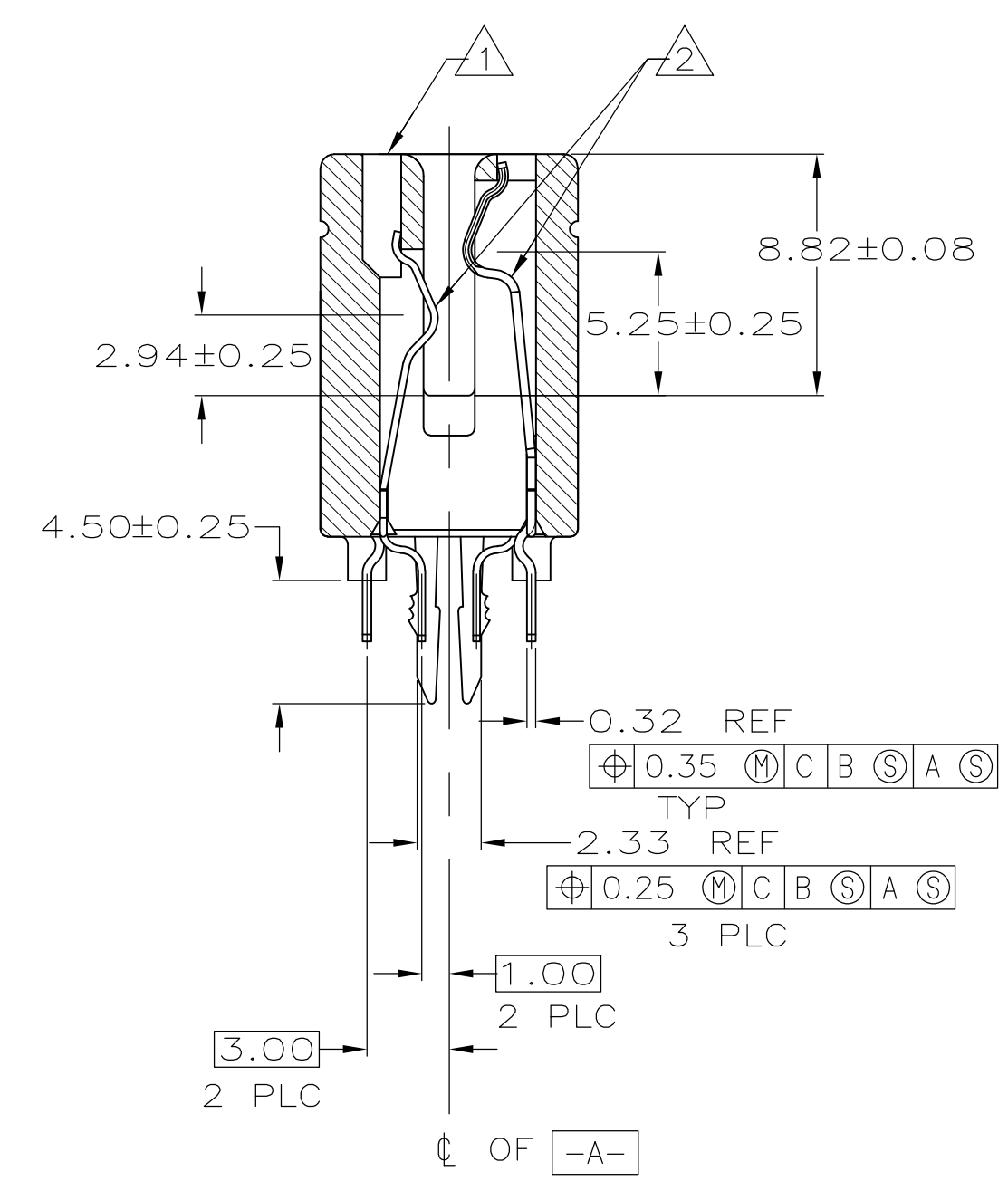
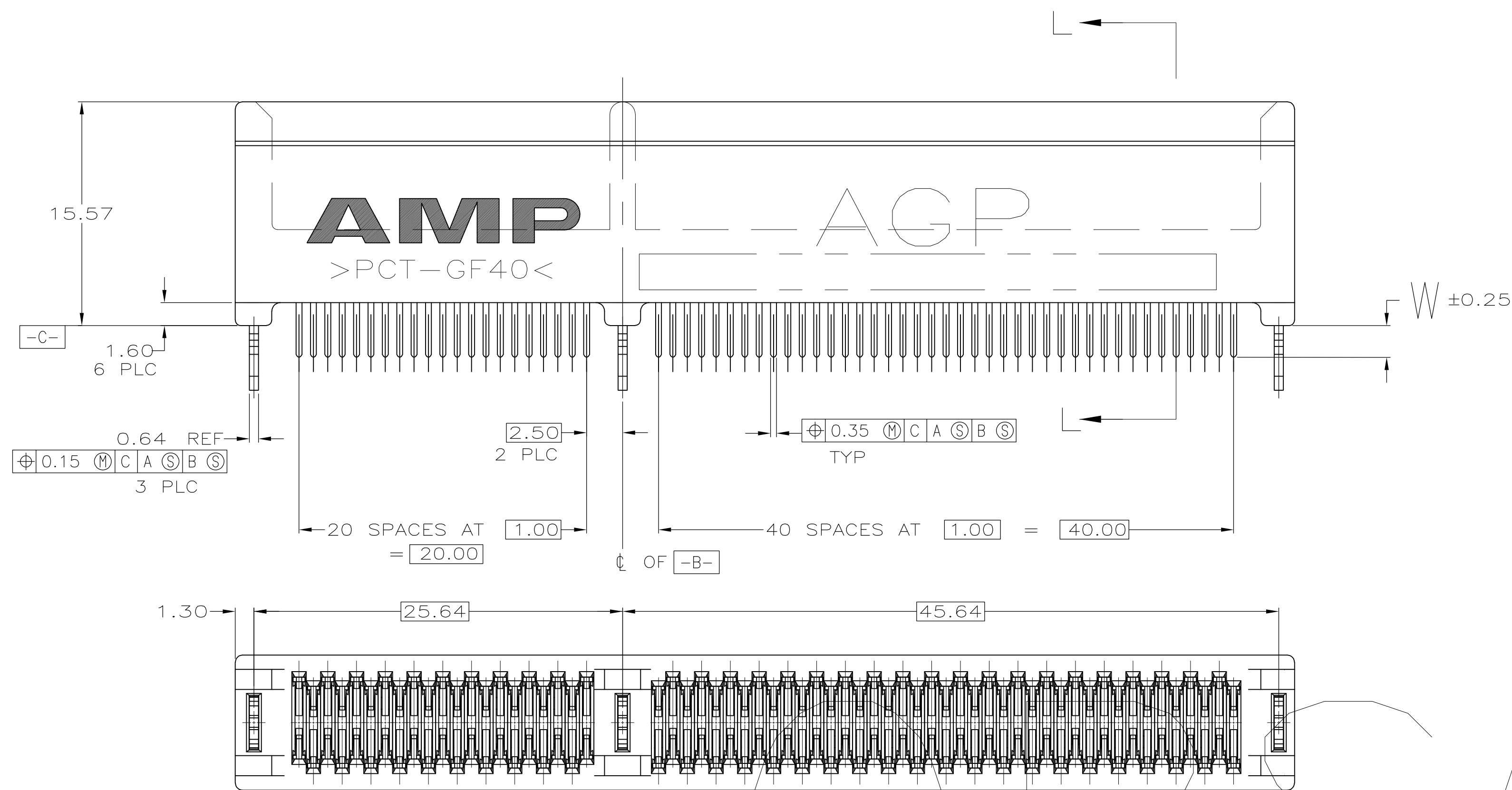
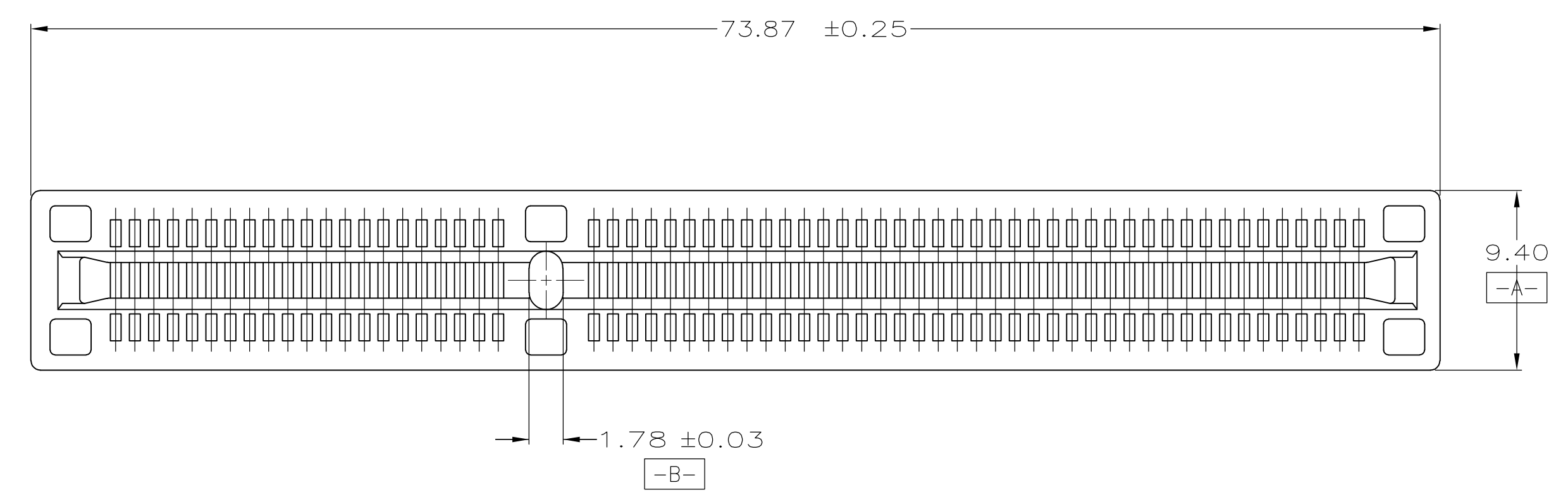


REVISIONS					
REV	DATE	DESCRIPTION	BY	CHK	APPV
H2	09MAY2017	OBSOLETE PER ECR-17-006482	SZ	SZ	
H1	07JAN10	REV PER ECO-09-021826	KW	AEG	
H	05/17/99	REV PER OG51-0062-99	MM	EL	
G	01/20/99	REV PER EC OG51-0294-98	MM	DD	
F	01/17/99	REV PER EC OG51-0226-98	MM	EL	
E	8/4/98	REVISED PER OG51-0107-98	RB	DD	
D	7/15/98	REVISED PER OG51-0101-98	RB	DD	
C	8/14/97	REVISED PER 0430-0286-97	RB	MB	
B	6/3/97	REVISED PER 0430-0204-97	RB	MB	
H2	5/15/97	REVISED PER 0430-0163-97	RB	MB	



SECTION L-L

- △ MATERIAL: HOUSING, THERMOPLASTIC, COLOR: BROWN.
CONTACTS, PHOSPHOR BRONZE.
HOLD-DOWNS, BRASS.
- △ FINISH: CONTACTS, 1.27 MIN. MICROMETERS NICKEL ALL OVER,
0.38 MIN. MICROMETERS GOLD OVER NICKEL IN CONTACT AREA,
2.54 MIN MICROMETERS TIN-LEAD OVER NICKEL ON SOLDER TAILS.
- △ FINISH: CONTACTS, 1.27 MIN. MICROMETERS NICKEL ALL OVER,
0.0254-0.0762 MICROMETERS GOLD OVER NICKEL IN CONTACT AREA.
2.54 MIN. MICROMETERS TIN-LEAD OVER NICKEL ON SOLDER TAILS.
- △ OBSOLETE PARTS: OBSOLETE CIS STREAMLINING PER D.RENAUD/D.SINISI

△ OBSOLETE	△	3.18	145263-6
OBSOLETE	△	2.54	145263-5
OBSOLETE	△	3.18	145263-3
OBSOLETE	△	2.54	145263-2
OBSOLETE	△	2.16	145263-1
PLATING	W		PART NO

THIS DRAWING IS A CONTROLLED DOCUMENT.

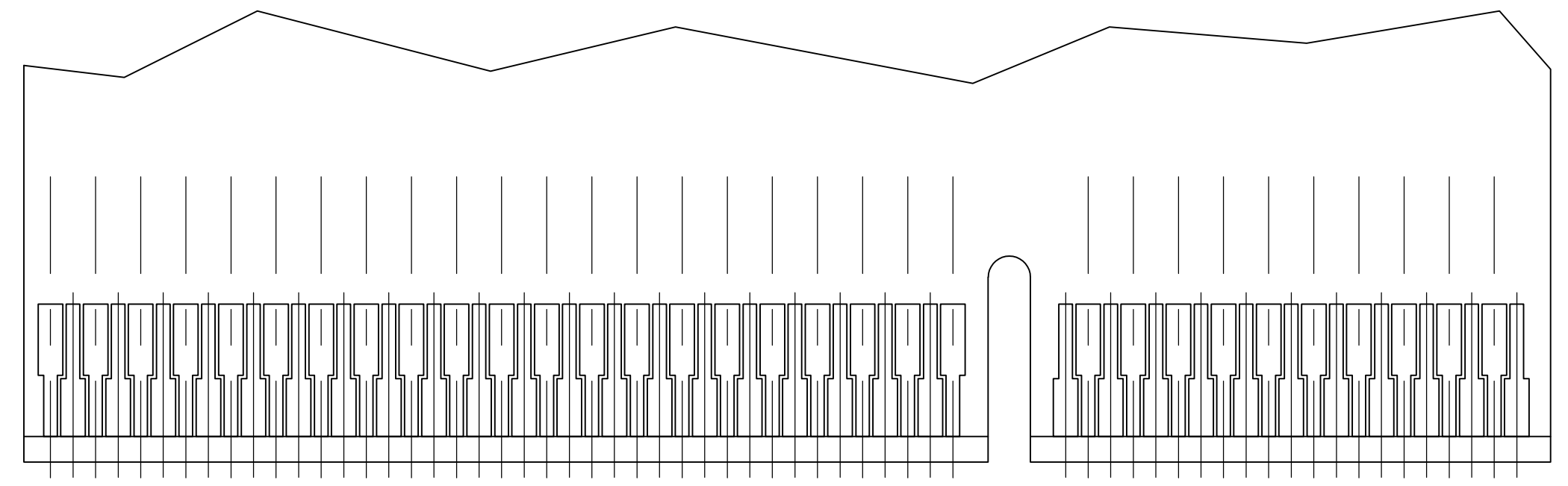
DIMENSIONS:	TOLERANCES UNLESS OTHERWISE SPECIFIED:	DIN R BROWN 1/7/97	APVD M BOWERS 1/7/97	NAME
mm	0 PLC ± - 1 PLC ± - 2 PLC ± 0.13 3 PLC ± - 4 PLC ± - ANGLES ± 9°	CHK M BOWERS 1/7/97	APVD D SARVER 1/7/97	ASSEMBLY, 124 POSITION 1mm, CARD EDGE CONNECTOR
MATERIAL	FINISH	SIZE	CAGE CODE	DRAWING NO
△	△△	0	A1	00779
CUSTOMER DRAWING		WEIGHT	SCALE	SHEET
			4:1	1 OF 2

STE TE Connectivity

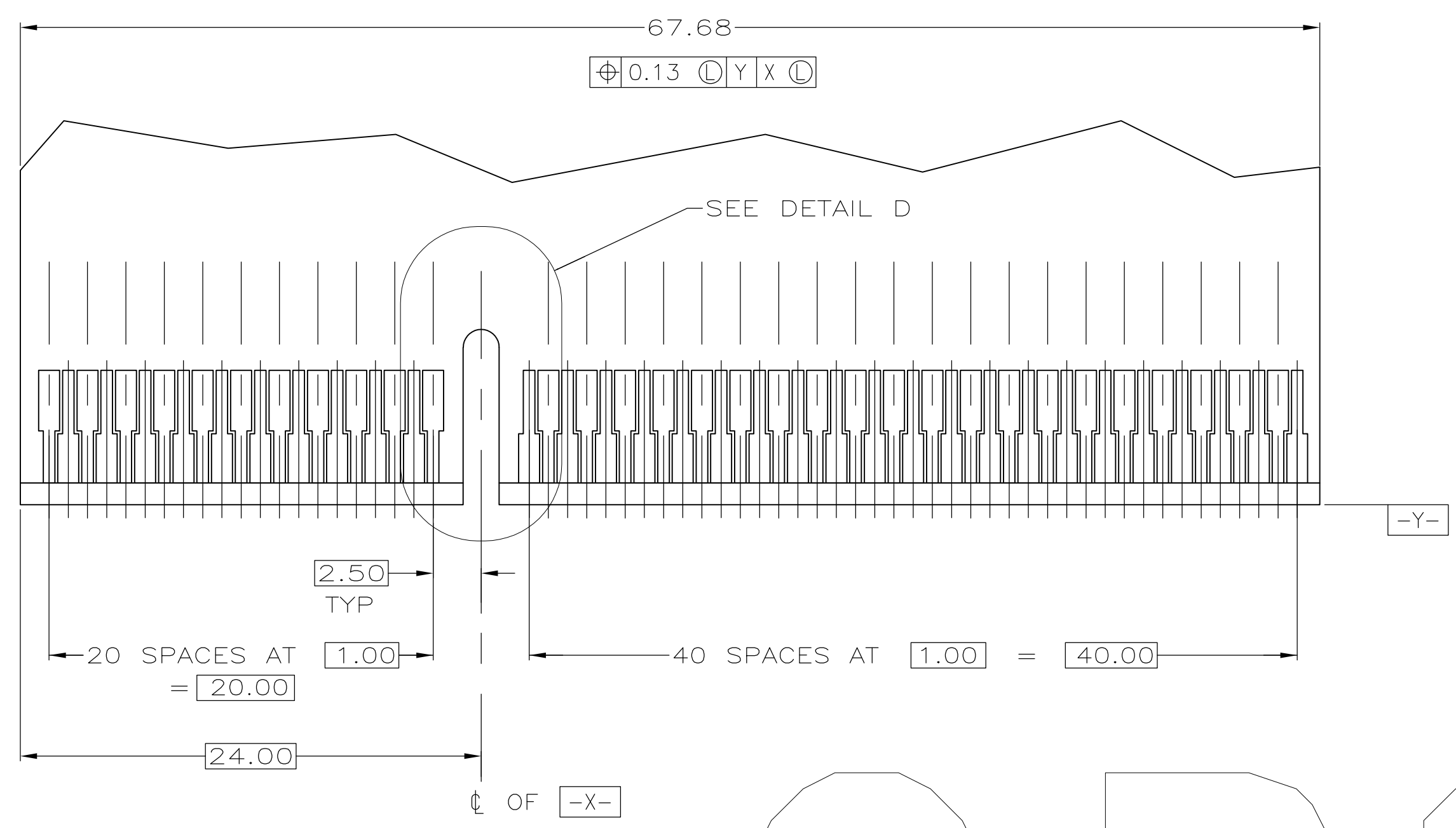
RESTRICTED TO

SCALE 4:1 SHEET 1 OF 2 REV H2

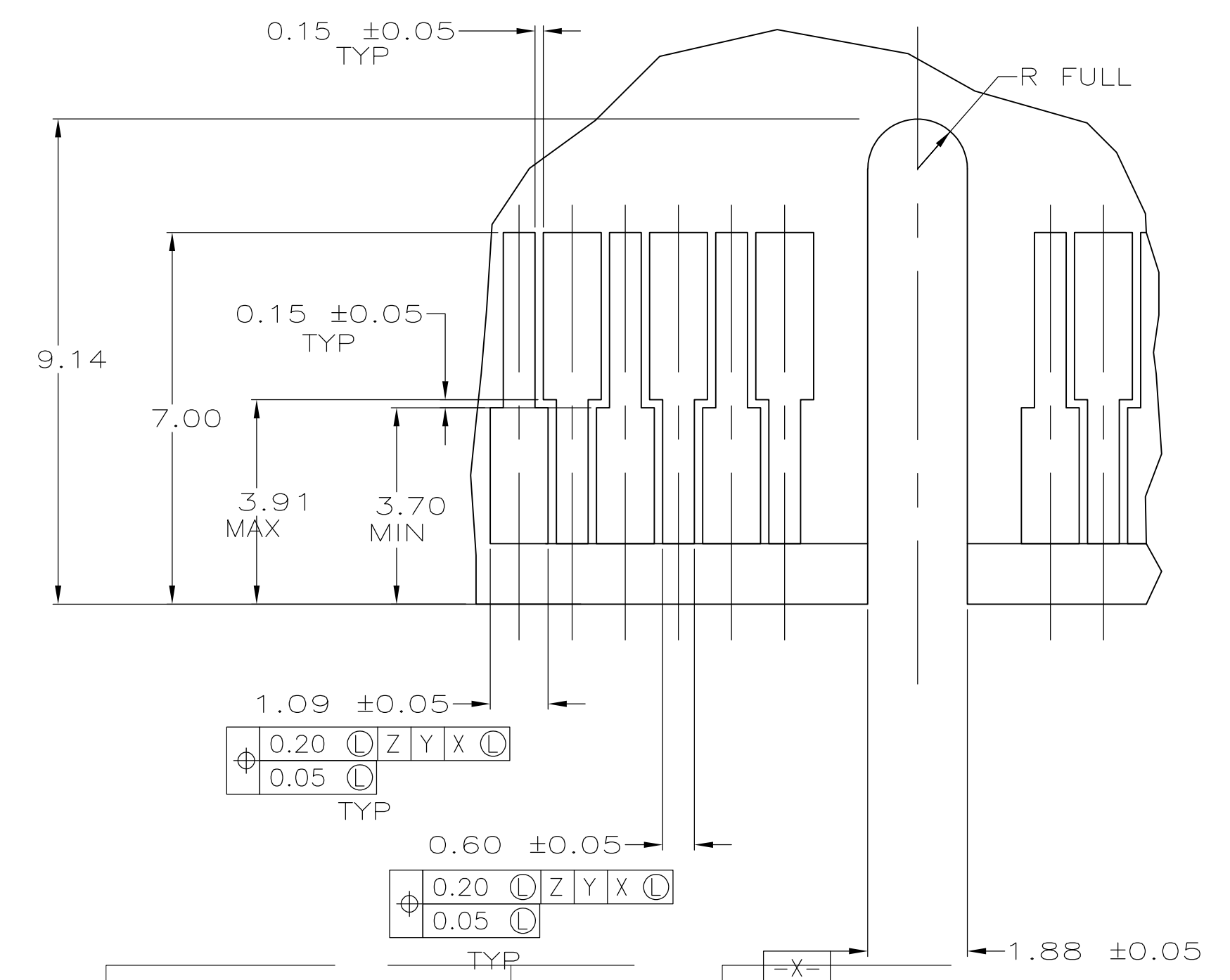
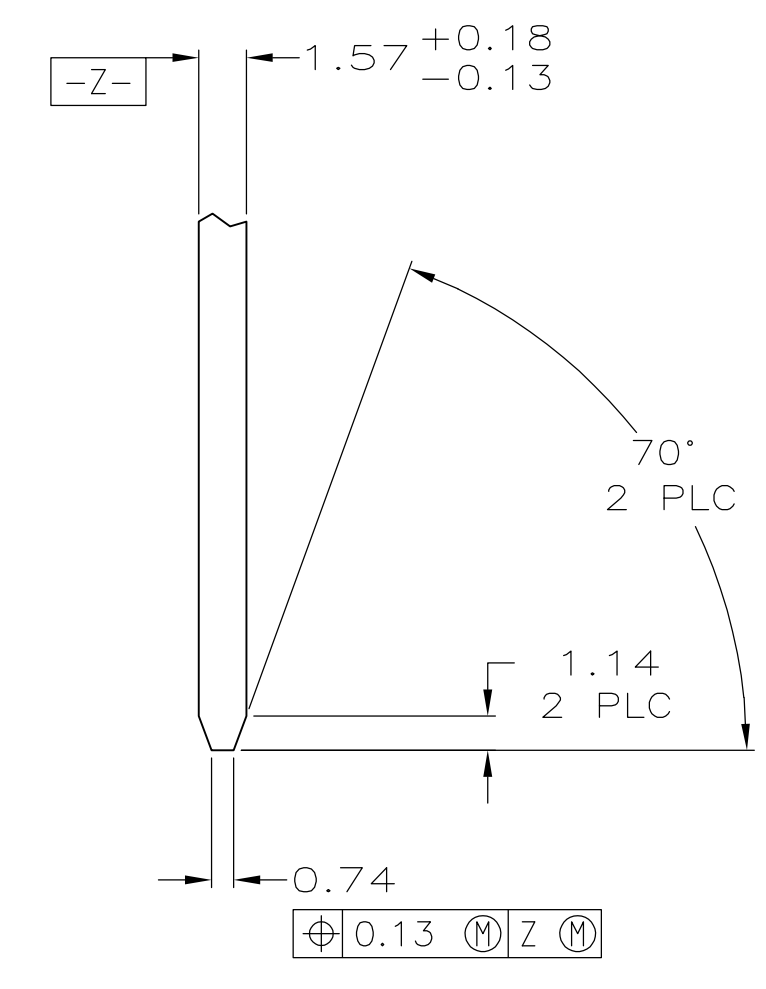
REVISIONS				
REV	DATE	DESCRIPTION	BY	APPD
1	1/7/97	SEE SHEET 1		



RECOMMENDED CONNECTOR MATING PAD PATTERN
(SECONDARY SIDE SHOWN)

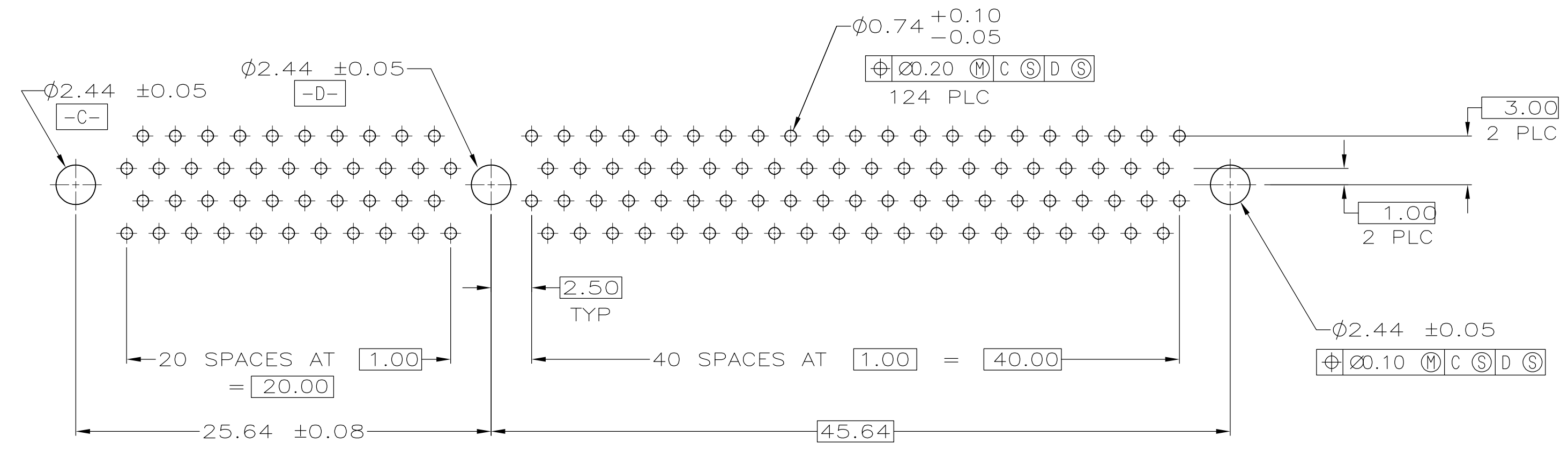


RECOMMENDED CONNECTOR MATING PAD PATTERN
(PRIMARY SIDE SHOWN)



DETAIL D
SCALE 10:1

BOWERS



RECOMMENDED CONNECTOR MOUNTING HOLE PATTERN
(CONNECTOR SIDE SHOWN)

THIS DRAWING IS A CONTROLLED DOCUMENT.		DWN R. BROWN 1/7/97	TE Connectivity	
DIMENSIONS: mm		CHK M. BOWERS 1/7/97	NAME D. SARVER 1/7/97	
TOLERANCES UNLESS OTHERWISE SPECIFIED:		PRODUCT SPEC		
0 PLC ± -		APPLICATION SPEC		
1 PLC ± -		SIZE A1		
2 PLC ± 0.13		CAGE CODE 00779		
3 PLC ± -		DRAWING NO. 145263		
4 PLC ± -		RESTRICTED TO		
ANGLES ± 2°		WEIGHT		
FINISH SEE TABLE		CUSTOMER DRAWING		
		SCALE 4:1 SHEET 2 OF 2 REV H2		