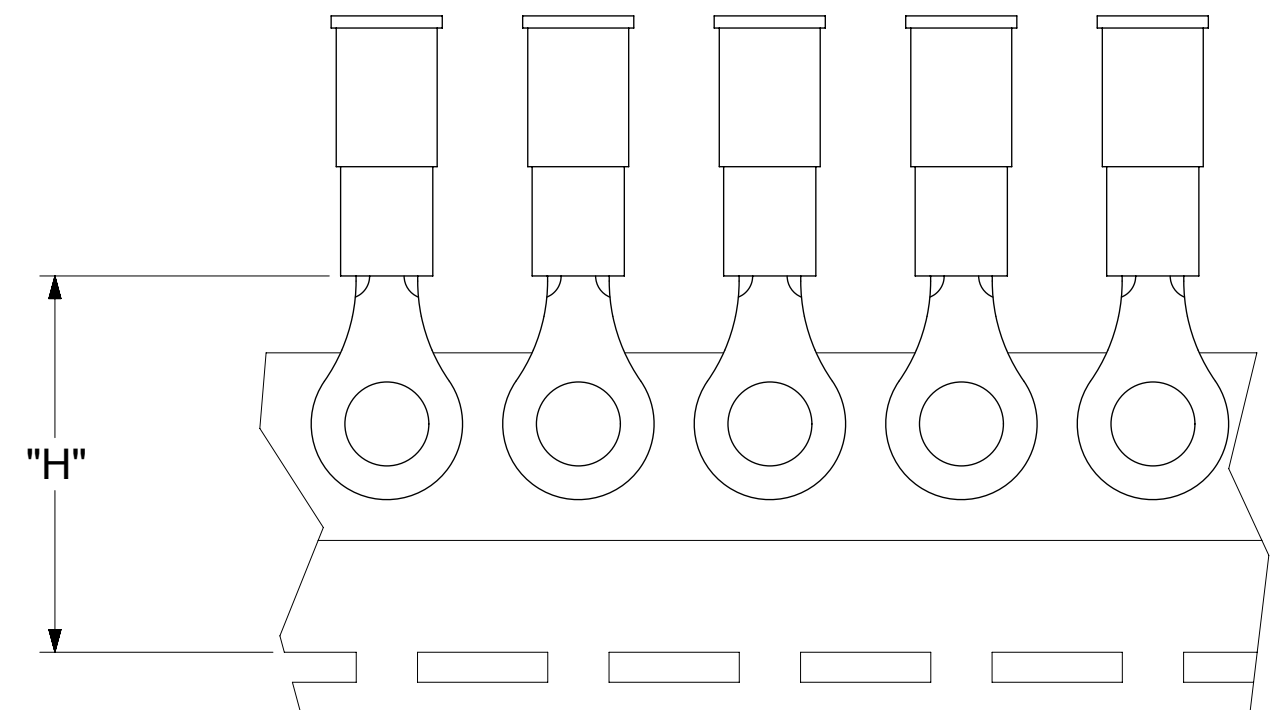
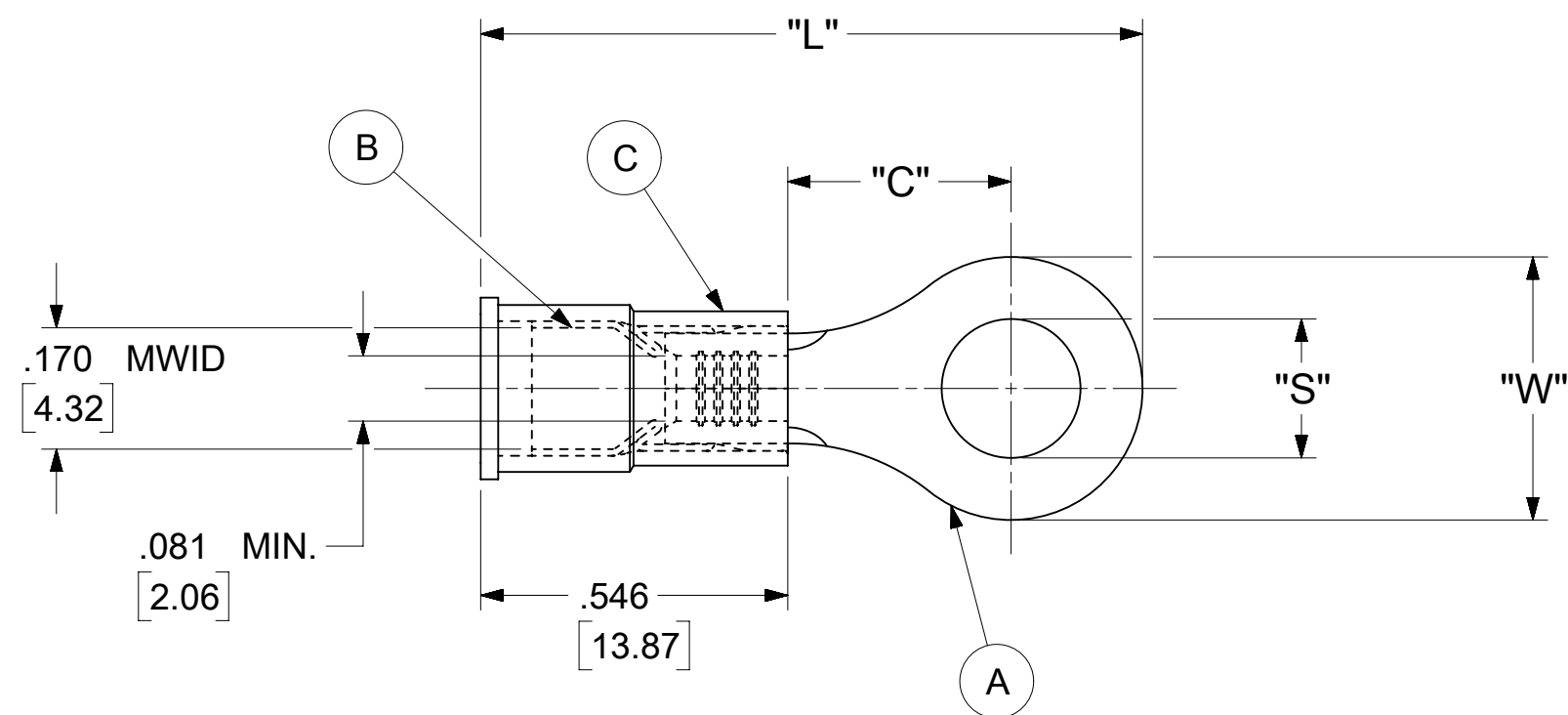


LOOSE PIECE		TAPE MOUNTED		SPECIFICATIONS						
MATERIAL NUMBER	ENGINEERING NUMBER	MATERIAL NUMBER	ENGINEERING NUMBER	STUD SIZE	"S" ±.005 [0.13]	"W" ±.010 [0.25]	"C" MIN.	"L" MAX.	"H"	STOCK ±.001 [0.025] THICKNESS
190570046	B-518-38	---	---	38	.390 [9.91]	.534 [13.56]	.554 [14.07]	1.407 [35.74]	---	.031 [0.79]
190570048	B-518-56	---	---	56	.328 [8.33]					
190570052	B-523-04	---	---	4	.119 [3.02]	.250 [6.35]	.209 [5.31]	.931 [23.65]	.980 [24.89]	.031 [0.79]
190570054	B-523-06	190570055	B-523-06T	6	.146 [3.71]					
190570056	B-523-08	190570057	B-523-08T	8	.173 [4.39]					
190570060	B-525-14	---	---	14	.265 [6.73]	.467 [11.86]	.388 [9.86]	1.208 [30.68]	---	.031 [0.79]
190570062	B-525-56	---	---	56	.328 [8.33]					
190570086	B-537-04	---	---	4	.119 [3.02]	.312 [7.92]	.285 [7.24]	1.022 [25.96]	---	.031 [0.79]
190570088	B-537-06	---	---	6	.146 [3.71]					
190570090	B-537-08	---	---	8	.173 [4.39]					
190570093	B-537-10	---	---	10	.198 [5.03]					
190570100	B-539-08	---	---	8	.173 [4.39]	.342 [8.69]	.310 [7.87]	1.067 [27.10]	---	.031 [0.79]
190570102	B-539-10	---	---	10	.198 [5.03]					



PARTS ON TAPE

NOTES:

- MATERIAL:
 - (A). RING TONGUE TERMINAL: COPPER
PLATING: ELECTRO-TIN (.0003 MIN.)
 - (B). TIN-PLATED BRASS FUNNEL FERRULE
 - (C). INSULATION: NYLON (BLUE)
- MWID: MAXIMUM WIRE INSULATION DIAMETER
- WIRE SIZE: 16 -14 AWG
1.0 -2.5 MM²
- ALL DIMENSIONS IN INCHES/[MM].
- PARTS ARE ROHS COMPLIANT.
- DIMS. SHOWN ARE FOR REFERENCE ONLY.

SYMBOLS	THIS DRAWING CONTAINS INFORMATION THAT IS PROPRIETARY TO MOLEX ELECTRONIC TECHNOLOGIES, LLC AND SHOULD NOT BE USED WITHOUT WRITTEN PERMISSION											
	DIMENSION UNITS	SCALE		CURRENT REV DESC: MIGRATION TO ECTR/NX								
▽ = 0	INCH/MM	NTS		EC NO: 620952								RING TONGUE TERMINAL AVIKRIMP 500-SERIES
∇ = 0	GENERAL TOLERANCES (UNLESS SPECIFIED)			DRWN: ABENJAMINLW 2019/06/14						PRODUCT CUSTOMER DRAWING		
∇ = 0		MM	INCH	CHK'D: GROJAS01 2019/07/19								DOCUMENT NUMBER: 190570042 DOC TYPE: PSD DOC PART: 000 REVISION: A
∇ = 0	4 PLACES	±	---	±	---	APPR: JMACNEIL 2019/08/05						
∇ = 0	3 PLACES	±	---	±	.005	INITIAL REVISION:						
∇ = 0	2 PLACES	±	0.13	±	.01	DRWN: KO 1984/11/12						
∇ = 0	1 PLACE	±	0.25	±	---	APPR: JMACNEIL 2019/08/05						
∇ = 0	0 PLACES	±	---	±	---	DRAFT WHERE APPLICABLE MUST REMAIN WITHIN DIMENSIONS						
∇ = 0	ANGULAR TOL	±	0.5 °	THIRD ANGLE PROJECTION						DRAWING: C-SIZE SERIES: 19057		
∇ = 0	DRAFT WHERE APPLICABLE MUST REMAIN WITHIN DIMENSIONS			THIRD ANGLE PROJECTION			DRAWING: C-SIZE		SERIES: 19057		MATERIAL NUMBER: SEE TABLE CUSTOMER: GENERAL MARKET SHEET NUMBER: 1 OF 1	

NOTES:

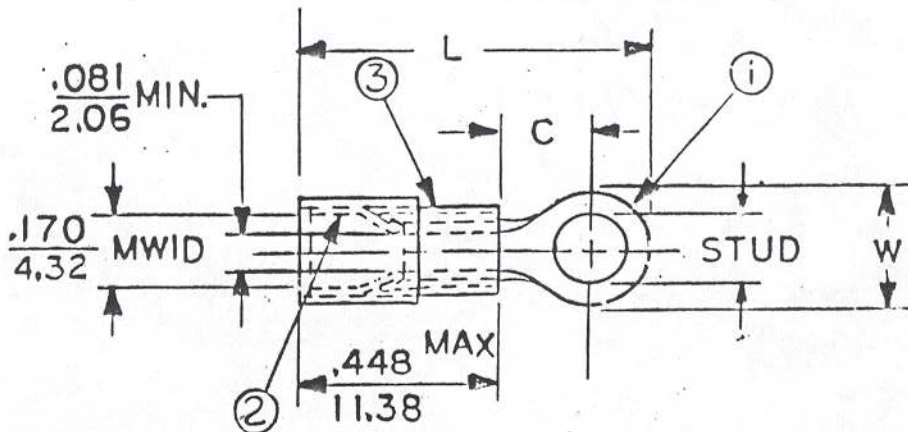
- ① MAT'L: COPPER (STOCK TKN. $\frac{.031}{.179}$)
- ② TIN-PLATED BRASS FUNNEL FERRULE
- ③ NYLON INSULATION (COLOR CODED BLUE)

FILE NO. B-CD-501-01

STUD SIZES: ($\pm .005$)

- 02 = .094
- 04 = .119
- 06 = .146
- 08 = .173
- 10 = .198
- 14 = .265
- 56 = .328
- 38 = .390

"UL" LISTING # E32244
 "CSA" LISTING # 18689



WIRE SIZE: 16-14 AWG
 1.0-2.5 MM²

ALL DIMENSIONS = $\frac{\text{INCHES}}{\text{MM}}$ (MWID) = DENOTES MAXIMUM WIRE INSULATION DIAMETER

PART NUMBER	"W" $\pm .010$	"C" MIN.	"L" MAX.				AVAILABLE STUD SIZES
B-523-	$\frac{.250}{6.35}$	$\frac{.209}{5.31}$	$\frac{.833}{21.16}$				04,06,08

DIMENSIONAL TOLERANCES UNLESS OTHERWISE SPECIFIED			REFERENCE	SCALE: NTS	DATE	TITLE: RING TONGUE TERMINAL AVIKRIMP 500-SERIES		
FRAC.	DEC.	ANG.		DRWN. BY: <i>fo</i>	11-12-84			
\pm	\pm	\pm		CHKD. BY: <i>6Z</i>	11-30-84			
				APPRD. BY:				
							DWG. NO. A	CUSTOMER DWG