

DO NOT SCALE FROM THIS PRINT

DESIGNED & DIMENSIONED IN INCHES[MILLIMETERS]

PRFIA-292-J-J-S-1

ADAPTER TYPE
-IA: IN-SERIES ADAPTER

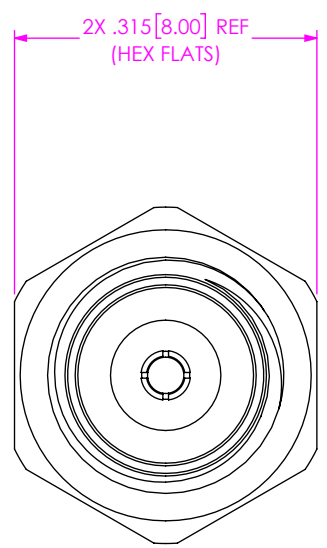
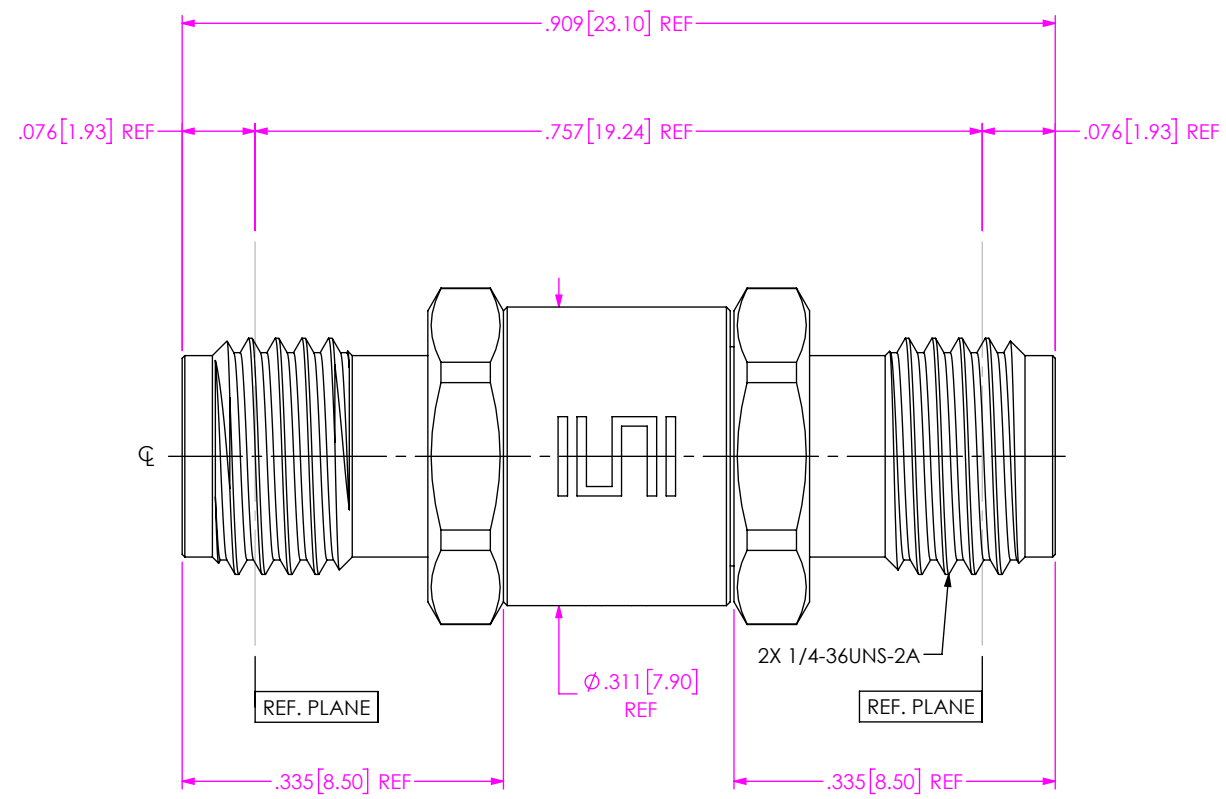
SERIES
-292: 2.92mm

END 1 GENDER
-J: JACK


OPTION
-1

ORIENTATION
-S: STRAIGHT

END 2 GENDER
-J: JACK



- NOTES:
- MATERIAL:
BODY: STAINLESS STEEL
SOCKET: BERYLLIUM COPPER
BEAD: PEI
 - FINISH:
BODY: PASSIVATED
SOCKET: GOLD
 - VSWR DC – 40GHz ___ 1.15:1 MAX
 - INSERTION LOSS .05XSQRT(MAX FREQ) MAX

| | | | |
|--|---|--|---|
| UNLESS OTHERWISE SPECIFIED, DIMENSIONS ARE IN INCHES. TOLERANCES ARE: DECIMALS ANGLES .XX: ±.01 [0.3] 1° .XXX: ±.005 [0.13] .XXXX: ±.0005 [0.013] | * PROPRIETARY NOTE * THIS DOCUMENT CONTAINS CONFIDENTIAL AND PROPRIETARY INFORMATION AND ALL DESIGN, MANUFACTURING, REPRODUCTION, USE, PATENT RIGHTS AND SALES RIGHTS ARE EXPRESSLY RESERVED BY SAMTEC, INC. THIS DOCUMENT SHALL NOT BE DISCLOSED, IN WHOLE OR PART, TO ANY UNAUTHORIZED PERSON OR ENTITY NOR REPRODUCED, TRANSFERRED OR INCORPORATED IN ANY OTHER PROJECT IN ANY MANNER WITHOUT THE EXPRESS WRITTEN CONSENT OF SAMTEC, INC. |  | |
| | | 520 PARK EAST BLVD., NEW ALBANY, IN 47150 PHONE: 812-944-6733 FAX: 812-948-5047 e-Mail: info@SAMTEC.com code 55322 | |
| | | DO NOT SCALE DRAWING SHEET SCALE: 5:1 | DESCRIPTION: ADAPTER, 2.92MM JACK TO 2.92MM JACK |
| | | BY: WILLY Y 3/8/2022 SHEET 1 OF 1 | |