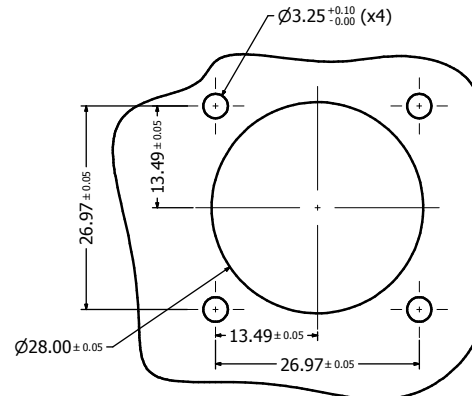
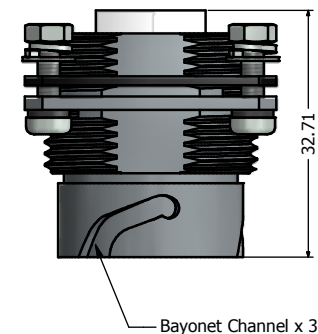


Recommended Double-D Panel Cutout



Recommended Round Panel Cutout



Notes:

1. Electrical Specifications:

- Meets EIA/TIA-568-B.2 Cat.5e Specification
- Contact Resistance: 20 mOhm max.
- Insulation Resistance: 500MOhm min. @ 100 VDC
- Current Rating: 1.2A max. at 25° C
- Working Voltage: 100 VDC
- DWV: 1000 VDC/60s Contact to Contact, 1500 VDC/60s Contact to Metal Shell
- Operating Temperature: -40° C to +85° C

2. Material and Finish:

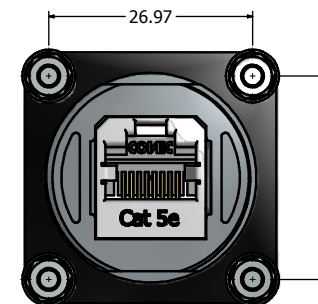
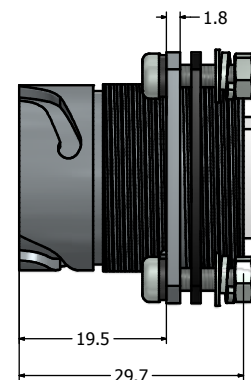
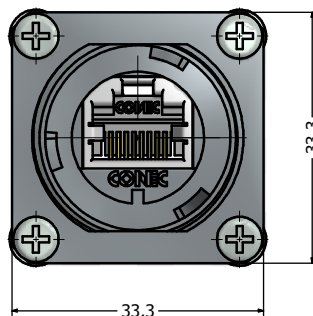
- Receptacle Housing (with Flange): Zinc Die-Cast, Finish: Nickel Plated
 - RJ45 Jack Metal Shell: Copper Alloy, Nickel Plated
 - RJ45 Jack Plastic Housing: Glass filled PBT UL94 V-0, Color: Black
 - RJ45 Jack Contacts: Phosphor Bronze, Finish: 50u" Gold min. over Nickel
 - Panel Gasket: NBR, Color: Black
 - M3 Mounting Hardware: Stainless Steel
- Includes 4 x (Screw + Nut + Flat Washer + Spring Lock Washer)

3. Connector can be front or rear mounted to a maximum panel thickness of 3.2mm.

4. IP67 rated when covered or fully mated with the appropriate mating connector

5. Hardware shipped unassembled

6. Recommended mounting torque: 8 to 10 lb-inch



Directive 2002/95/EC RoHS Compliant

Description	Part Number
Nickel Plated Zinc Die-Cast with Shielded Cat5e Coupler	17-110214
Nickel Plated Zinc Die-Cast with Unshielded Cat5e RJ45 Coupler	17-110224

THIS DRAWING MAY NOT BE COPIED OR REPRODUCED IN ANY MANNER AND MAY NOT BE PASSED ON TO A THIRD PARTY WITHOUT WRITTEN PERMISSION. OWNERSHIP AND COPYRIGHT OF CONEC CORPORATION.	Customer:			Tolerance Unless otherwise specified 0 PLC ±0.30 1 PLC ±0.20 2 PLC ±0.10 3 PLC ±0.05 ANGLES ±1°		Scale:	Dim. in mm	
	Name	Title	Approval Date			Material: See Notes		
				2012	Date	Name	IP67 Cat. 5e RJ45 Inline Coupler Receptacle (with Flange) Assembly Kit	
				Draw.	Sept. 27	Vincent Ke	Nickel Plated Zinc Die-Cast Version	
				Appd.	Sept. 27	J. Chaudry	Drawing No.: 17K1A352	
			Norm			Part No.: SEE PART NUMBER TABLE		
			D-old			DIN A3		
	b	1 x b	Mar/06/2013	Vincent ke			Sheet 1/1	
	a	original						
	Rev.	Changes	Date	Name				