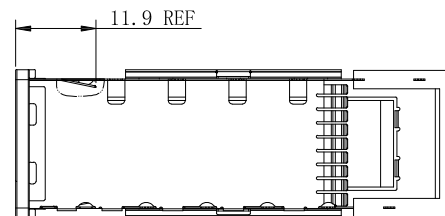
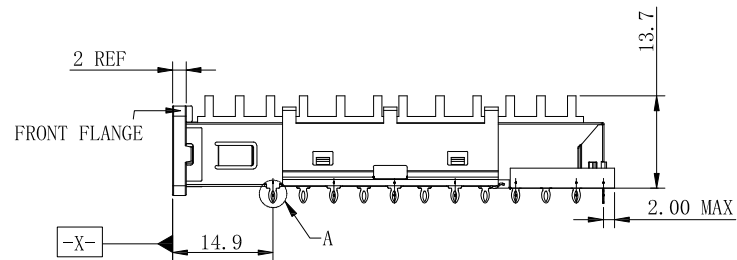
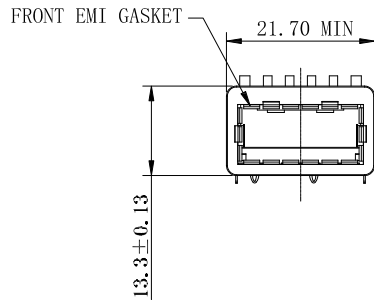
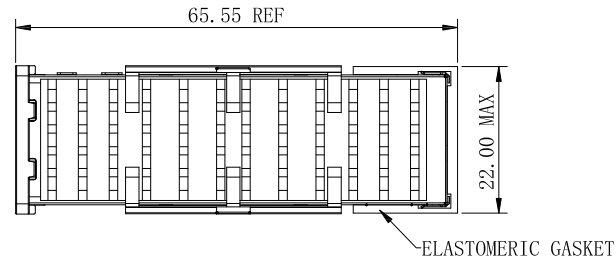
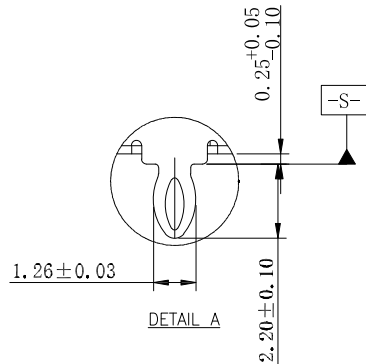


6	5	4	3	2	1
APPROVED: _____			Rev	AWO #	Description
DATE: _____ TITLE: _____			-		RELEASED
					Date
					5/28/21
					Appr



**SPECIFICATIONS:**

Material:  
 Cage: Copper Alloy  
 Electrometric Gasket: Conductive Rubber  
 Cage Rear EMI Gasket: Conductive Foam  
 Front Flange: Zinc Alloy, Nickel plated  
 Front EMI Gasket: Copper Alloy, Matte Tin over Nickel underplate overall  
 Heat Sink Clip: Copper Alloy  
 Heat Sink: Aluminum, Nickel plated  
 Temperature Rating:  
 Operating temperature: -40°C to +85°C  
 Environmental:  
 Lead free, RoHS compliant



UNLESS OTHERWISE SPECIFIED ALL DIMENSIONS ARE MILLIMETERS. TOLERANCES: EXCEPT AS NOTED		
mm	Angles ±2°	
.X ± .25		
.XX ± .13		
.XXX ± .10		
DRAWN	WX	5/28/21
CHECKED	RC	5/28/21
APPROVED		
THIS DRAWING CONTAINS INFORMATION THAT IS PROPRIETARY AND SHOULD NOT BE USED WITHOUT PRIOR WRITTEN PERMISSION FROM ADAM TECH		

<b>ADAM TECH</b>	909 Rahway Avenue, Union, NJ 07083 Phone: 908-687-5000 Fax: 908-687-5710	
	TITLE 10 GIGABIT SMALL FORM FACTOR CAGE, 1PORT DIP TYPE, PRESS FIT, EMI CLIP W/ GASKET, W/ HEAT SINK	
SIZE X	PART NO. XFC-1-CS1-EMI-PF-HSK	REV. -
REF: S00005C	SCALE: NTS	SHEET 1 OF 3

6 5 4 3 2 1

APPROVED: \_\_\_\_\_  
 DATE: \_\_\_\_\_ TITLE: \_\_\_\_\_

Rev	AWO #	Description	Date	Appr
SEE SHT 1 OF 3 FOR REVISION				

14- $\phi$  1.05  $\pm$  0.05  
 $\phi$  0.10 (A) (K) (L)  
 53.50 MAX  
 45.90  
 36.90  
 27.90  
 18.90  
 9.90  
 0.90  
 0.00  
 7.60  
 9.20  
 22.15 MIN  
 41.40  
 32.40  
 23.40  
 14.40  
 5.40  
 3.60 MAX  
 9.20 MIN  
 2.70  
 0.00  
 8.80  
 13.60  
 DETAIL D  
 -L-  
 -K-

CROSS-HATCHED AREA DENOTES COMPONENT AND TRACE KEEP-OUT (EXCEPT CHASSIS GROUND)  
 THIS AREA DENOTES COMPONENT KEEP-OUT (TRACES ALLOWED)

2- $\phi$  1.55  $\pm$  0.05  
 $\phi$  0.10 (A) (X) (K) (L)  
 -L-  
 4.10  
 4.10  
 16.30  
 16.00 MAX  
 13.60  
 15.30  
 14  $\times$  0.80  
 14  $\times$  0.80  
 14.90  
 2.00  $\pm$  0.05  
 $\phi$  0.06 (K) (S) (L) (S)  
 30  $\times$  0.50  $\pm$  0.03  
 $\phi$  0.06 (K) (S) (L) (S)

DETAIL D

RO.5 MAX TYP  
 19.50  $\pm$  0.10  
 9.70  $\pm$  0.20  
 23.50  $\pm$  0.10  
 C

5.20 MAX EMI GASKET  
 BEZEL  
 HOST BOARD  
 0.30  $\pm$  0.2  
 SECTION C-C

SPECIFICATIONS:

Material:  
 Cage: Copper Alloy  
 Electrometric Gasket: Conductive Rubber  
 Cage Rear EMI Gasket: Conductive Foam  
 Front Flange: Zinc Alloy, Nickel plated  
 Front EMI Gasket: Copper Alloy, Matte Tin over Nickel underplate overall  
 Heat Sink Clip: Copper Alloy  
 Heat Sink: Aluminum, Anodized Black  
 Temperature Rating:  
 Operating temperature: -40°C to +85°C  
 Environmental:  
 Lead free, RoHS compliant

RoHS COMPLIANT

UNLESS OTHERWISE SPECIFIED ALL DIMENSIONS ARE MILLIMETERS. TOLERANCES: EXCEPT AS NOTED

mm	Angles
.X $\pm$ .25	$\pm$ 2'
.XX $\pm$ .13	
.XXX $\pm$ .10	

DRAWN	WX	5/28/21
CHECKED	RC	5/28/21
APPROVED		

THIS DRAWING CONTAINS INFORMATION THAT IS PROPRIETARY AND SHOULD NOT BE USED WITHOUT PRIOR WRITTEN PERMISSION FROM ADAM TECH

**ADAM TECH**

909 Rahway Avenue,  
 Union, NJ 07083  
 Phone: 908-687-5000  
 Fax: 908-687-5710

TITLE	10 GIGABIT SMALL FORM FACTOR CAGE, 1PORT DIP TYPE, PRESS FIT, EMI CLIP W/ GASKET, W/ HEAT SINK	
SIZE	PART NO.	REV.
X	XFC-1-CS1-EMI-PF-HSK	-
REF: S00005C	SCALE: NTS	SHEET 2 OF 3

6 5 4 3 2 1

6 5 4 3 2 1

APPROVED: \_\_\_\_\_  
DATE: \_\_\_\_\_ TITLE: \_\_\_\_\_

Rev	AWO #	Description	Date	Appr
-----	-------	-------------	------	------

SEE SHT 1 OF 3 FOR REVISION

CROSS-HATCHED AREA DENOTES COMPONENT AND TRACE KEEP-OUT (EXCEPT CHASSIS GROUND)

THIS AREA DENOTES COMPONENT KEEP-OUT (TRACES ALLOWED)

SECTION D-D

UNLESS OTHERWISE SPECIFIED ALL DIMENSIONS ARE MILLIMETERS. TOLERANCES: EXCEPT AS NOTED

mm	
.X	± .25
.XX	± .13
.XXX	± .10

Angles ±2°

DRAWN	WX	5/28/21
CHECKED	RC	5/28/21
APPROVED		

THIS DRAWING CONTAINS INFORMATION THAT IS PROPRIETARY AND SHOULD NOT BE USED WITHOUT PRIOR WRITTEN PERMISSION FROM ADAM TECH

**ADAM TECH**

909 Rahway Avenue,  
Union, NJ 07083  
Phone: 908-687-5000  
Fax: 908-687-5710

TITLE	10 GIGABIT SMALL FORM FACTOR CAGE, 1PORT DIP TYPE, PRESS FIT, EMI CLIP W/ GASKET, W/ HEAT SINK	
SIZE	PART NO.	REV.
X	XFC-1-CS1-EMI-PF-HSK	-
REF: S00005C	SCALE: NTS	SHEET 3 OF 3

6 5 4 3 2 1