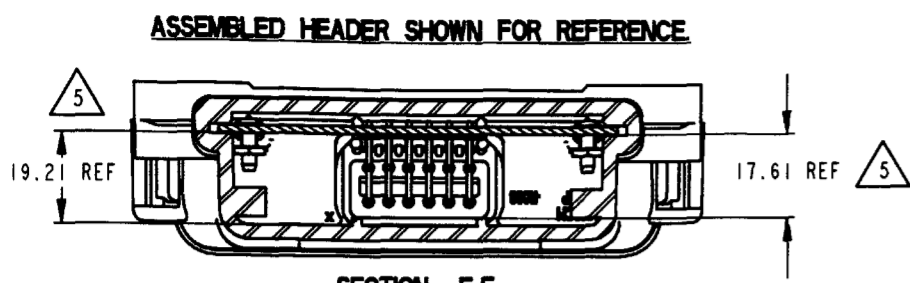
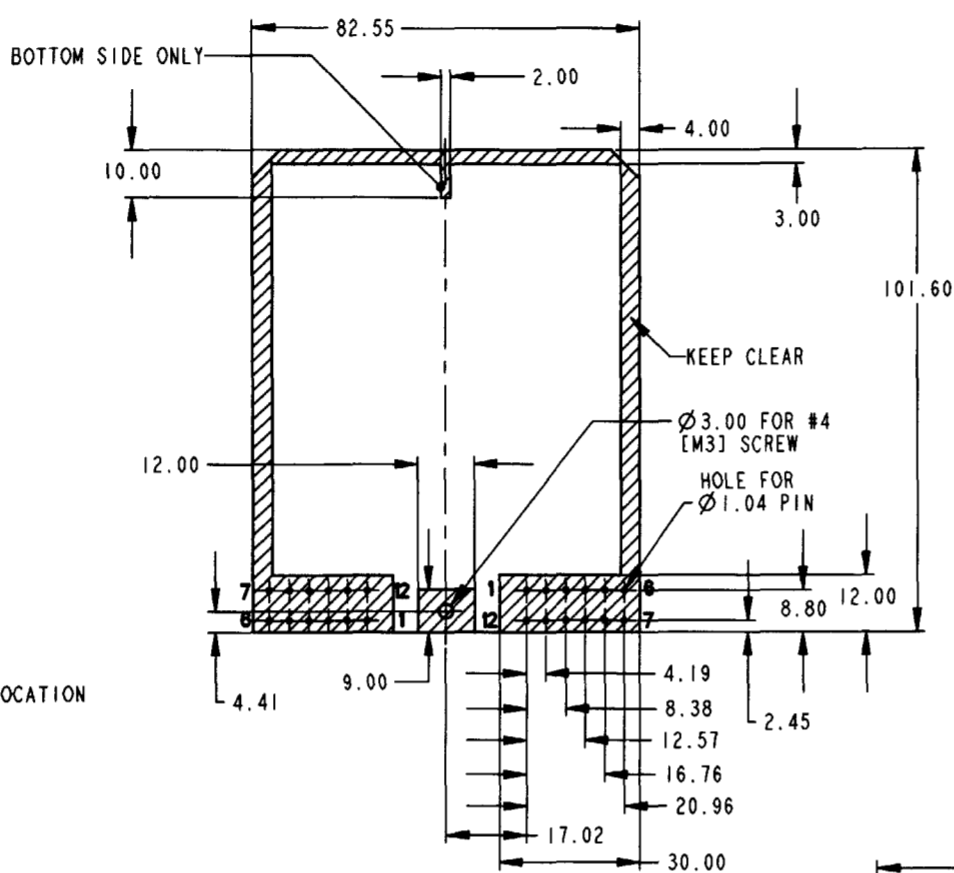


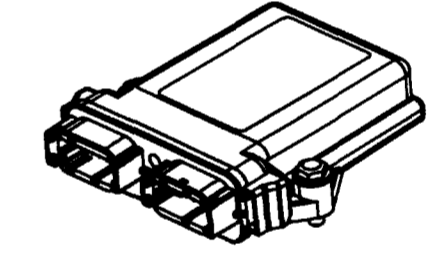
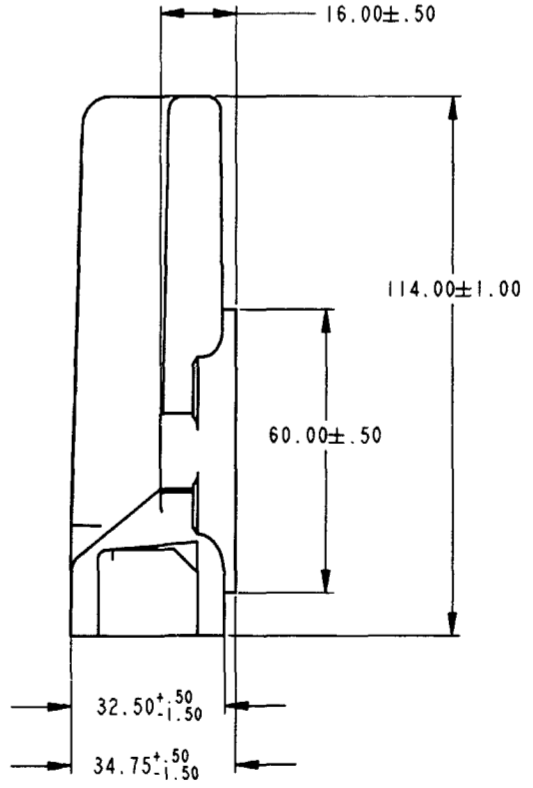
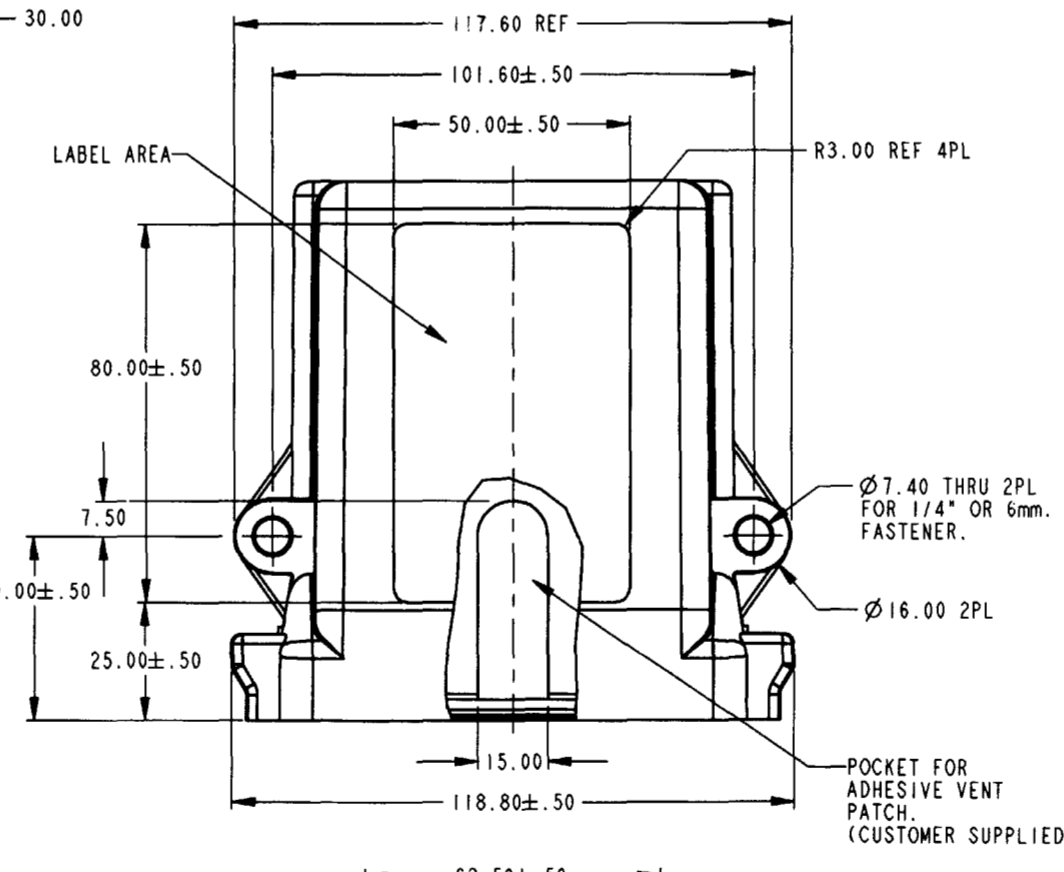
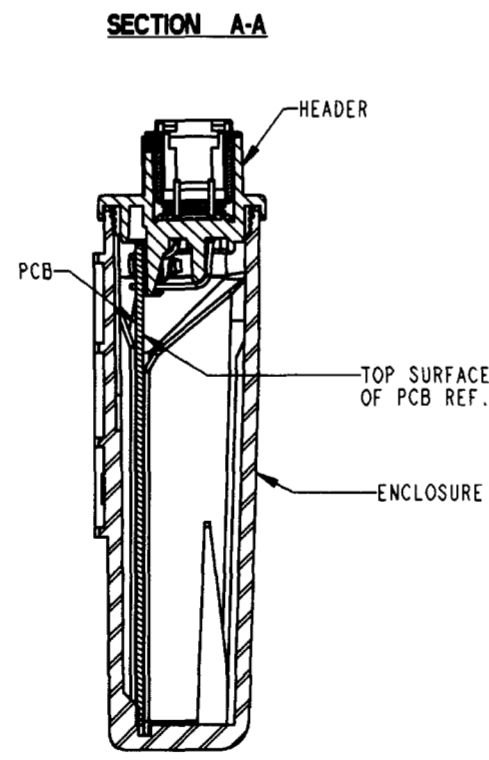
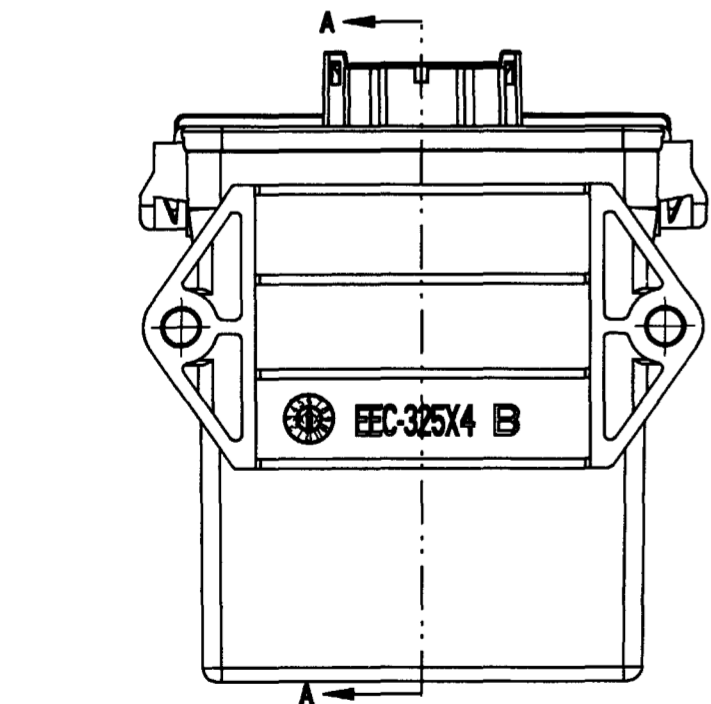
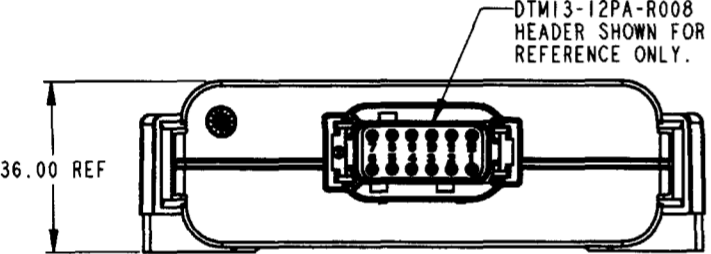
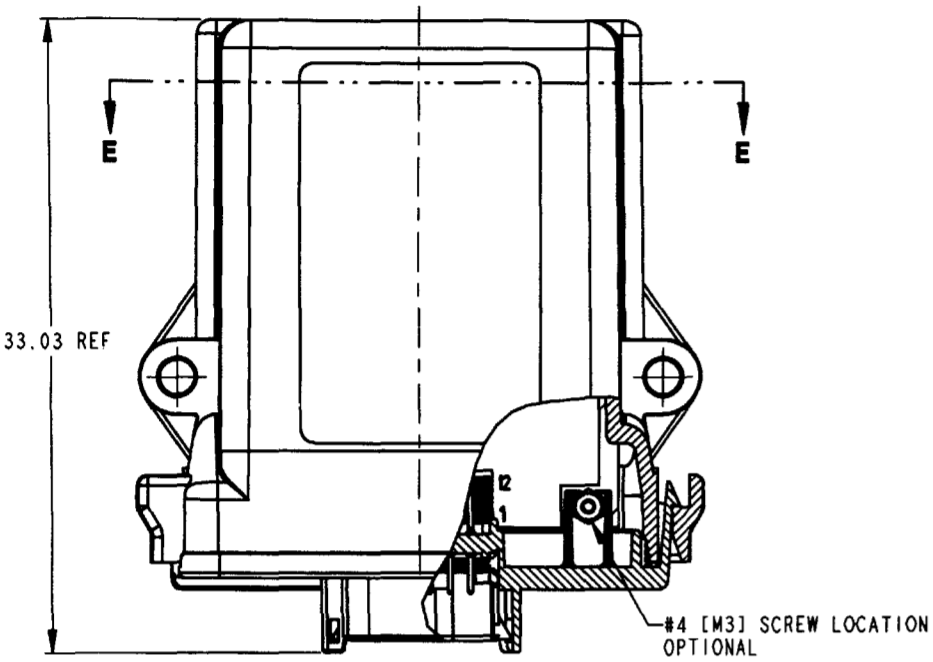
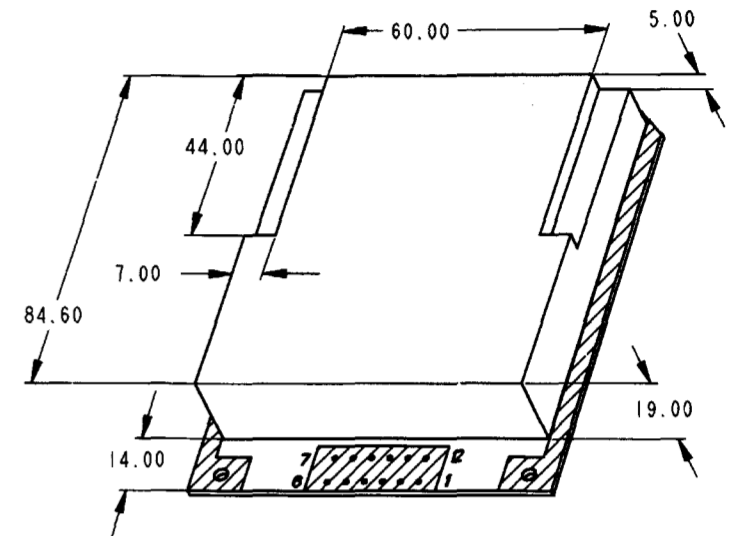
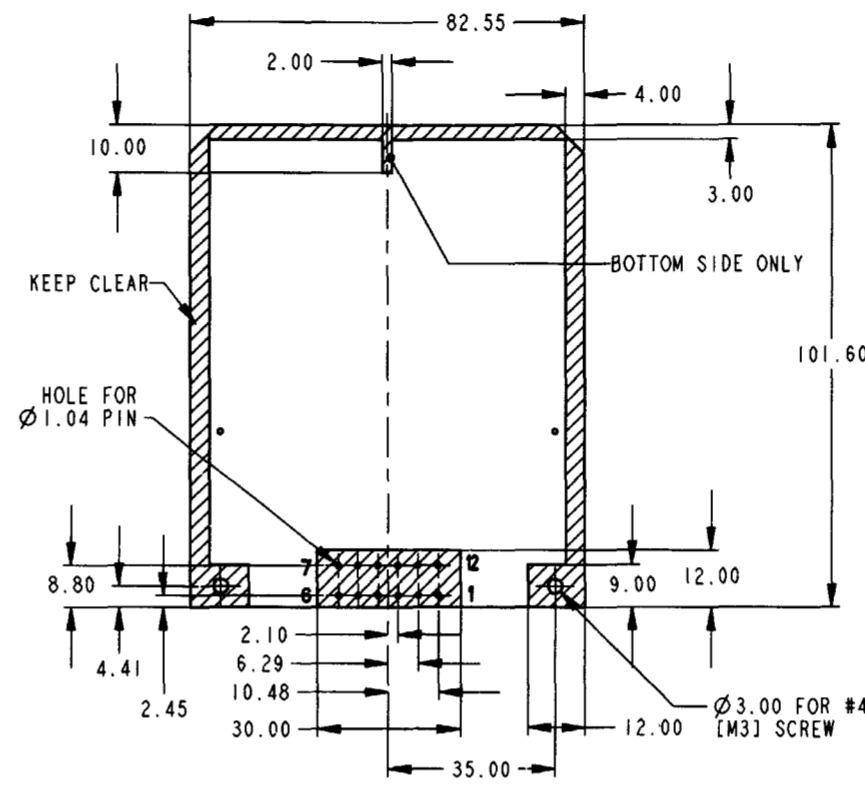
REVISIONS				
REV NC	SYM	DESCRIPTION	DATE	APPROVED
	NC	RELEASED PER E.O. P18244	7/16/03	<i>[Signature]</i>



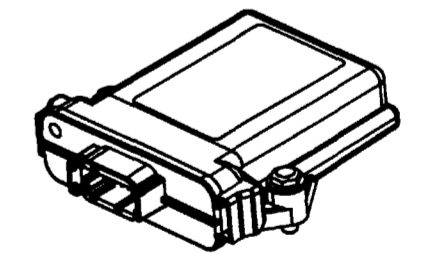
CIRCUIT BOARD HOLE LOCATIONS AND KEEP CLEAR AREAS FOR
DTM13-12P*-12P*-R008
DTM13-12P*-12P*-GR01
ALL DIMENSIONS REFERENCE
TOP VIEW



CIRCUIT BOARD HOLE LOCATIONS AND KEEP CLEAR AREAS FOR
DTM13-12P*-R008
DTM13-12P*-GR01
ALL DIMENSIONS REFERENCE
TOP VIEW



3D VIEW
DTM13-12P*-12P*-R008 AND
DTM13-12P*-12P*-GR01 HEADER AND MOUNTING
HARDWARE SHOWN FOR REFERENCE



3D VIEW
DTM13-12P*-R008 AND
DTM13-12P*-GR01 HEADER AND MOUNTING
HARDWARE SHOWN FOR REFERENCE

5. MAXIMUM COMPONENT HEIGHT DEPENDS ON LOCATION DUE TO PART DRAFT AND RIBS.
4. THIS ENCLOSURE MATES WITH DTM13-12P*-R008 (Ni PINS); DTM13-12P*-GR01 (Au PINS); DTM13-12P*-12P*-R008 (Ni PINS); DTM13-12P*-12P*-GR01 (Au PINS) HEADERS. (*=A,B,C,D KEYS).
3. ENCLOSURE MATERIAL: ULTEM NATURAL
2. ALL DIMENSIONS ARE +/- .25 UNLESS OTHERWISE SPECIFIED.
1. ALL DIMENSIONS ARE METRIC.

SIGNATURE & DATE	
DR	M. GONZALEZ 7/15/03
CHK	<i>[Signature]</i>
PE	<i>[Signature]</i> 7/15/03
APPD	<i>[Signature]</i> 7/15/03
SCALE	1X WT

PCB ENCLOSURE SHOWN WITH
12 AND 24 PIN HEADER
DTM SERIES

EP	MATL. CODE
The Deutsch Company DEUTSCH I.P.D. 3850 INDUSTRIAL AVE. HEMET, CALIF. 92545	
D	EEC-325X4B-E016
DWG SIZE	CODE SHEET 1 OF 1

ENVELOPE