



14.4-14.89 GHz / 15.15-15.35 GHz Cavity Duplexer



ANATECH ELECTRONICS INC
RF & Microwave Filters & Products

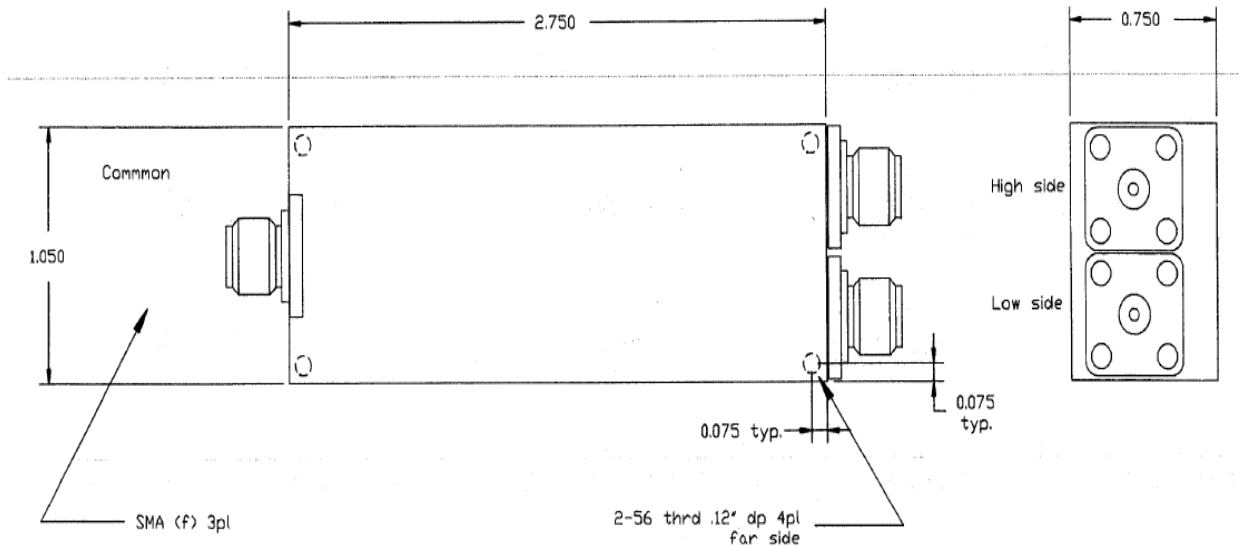
Part Number: AE14645-15250DB5291

<u>Characteristics</u>	<u>Band 1</u>	<u>Band 2</u>
Passband:	14.4-14.89 GHz	15.15-15.35 GHz
Bandwidth:	490 MHz	200 MHz
Passband Insertion Loss:	≤ 3.5dB	≤ 3.5dB
Passband Return Loss:	≥ 10dB	≥ 10dB
Isolation:	>60dB	>60dB

<u>Mechanical</u>	
Connector Type:	SMA (F)
Dimensions:	2.75 x 1.05 x 0.75 inches.

<u>Environmental</u>	
Operating Temperature:	-40 to +70 deg.C
Storage Temperature:	-50 to +85 deg.C

Outline Drawing:





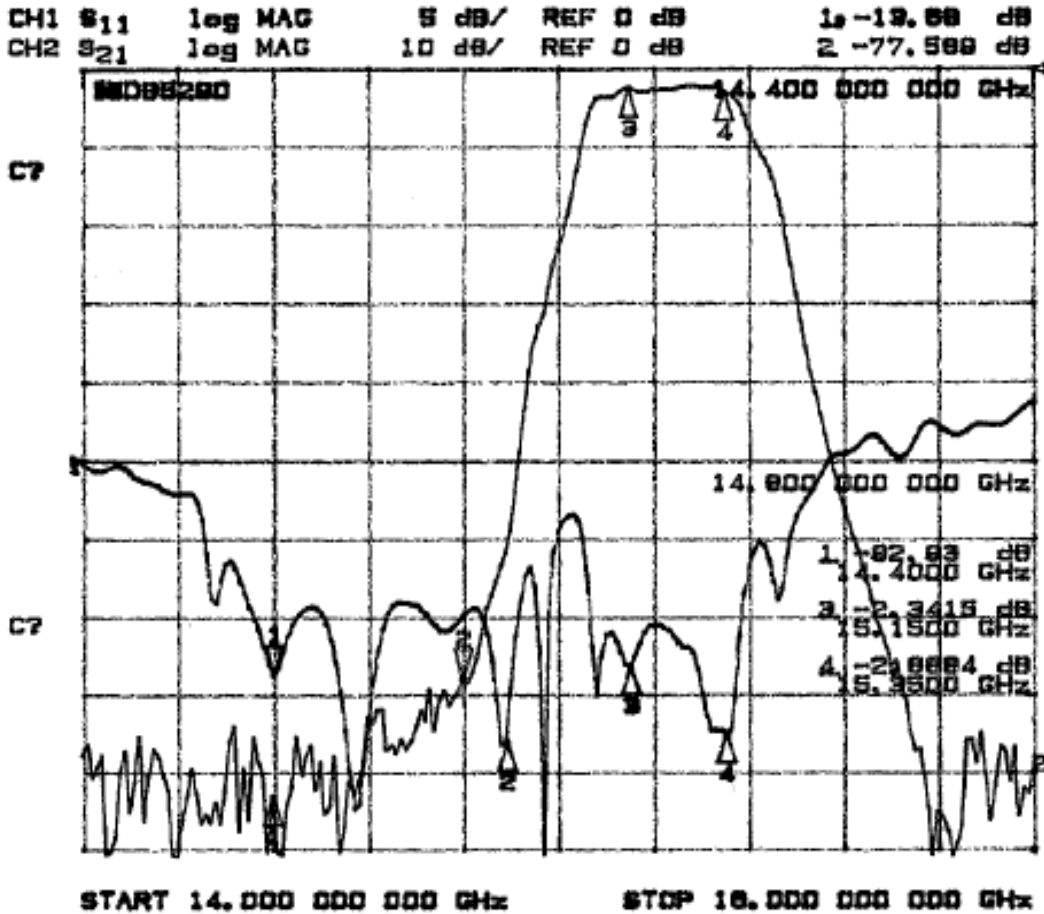
ANATECH ELECTRONICS INC
RF & Microwave Filters & Products

**14.4-14.89 GHz / 15.15-15.35 GHz
Cavity Diplexer**

Part Number: AE14645-15250DB5291



Response Plot-1:





Response Plot-2:

