

# SPECIFICATIONS

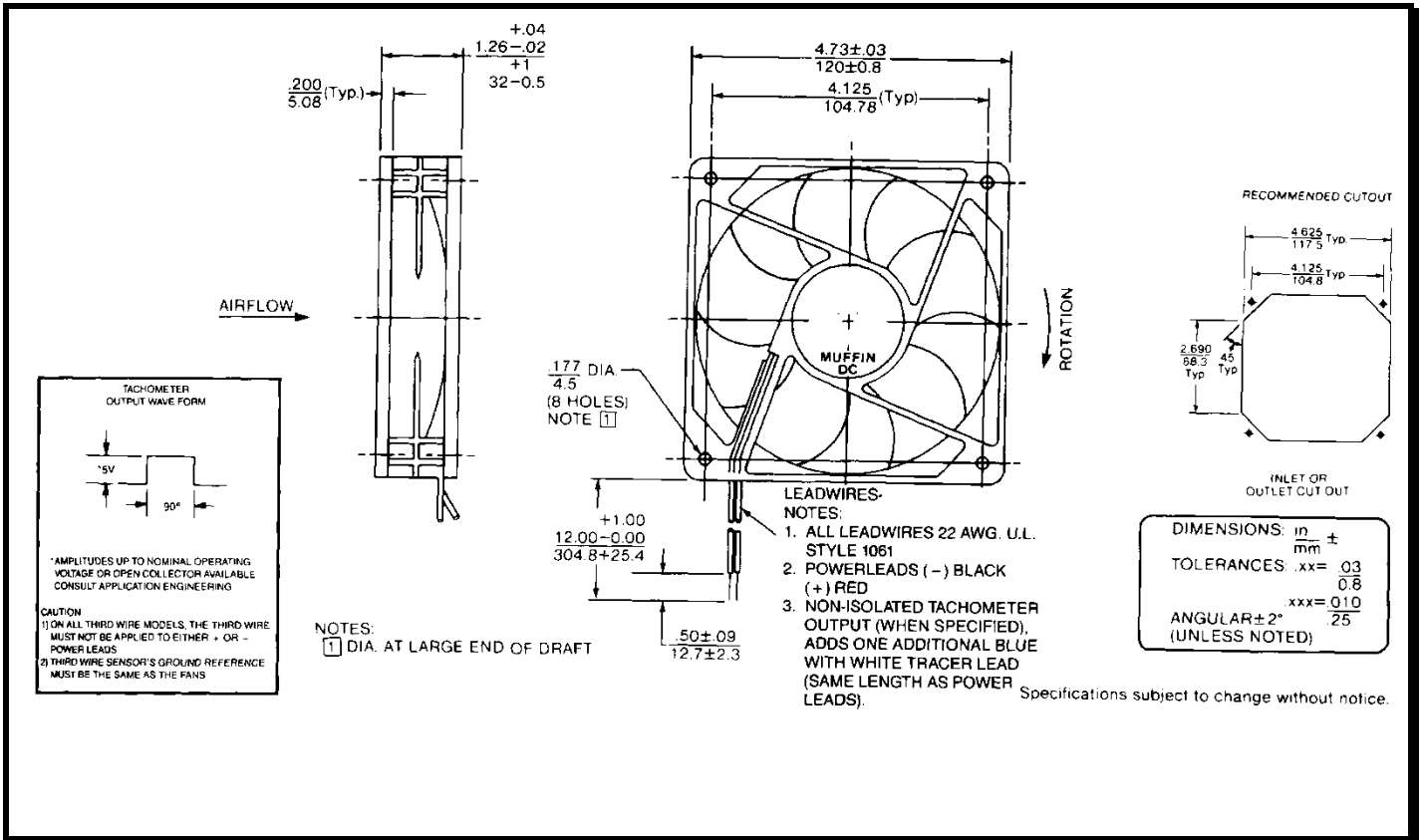
(RoHS Compliant)

**Model Number:** MC48B3  
**Part Number:** 19030573A

**SPEC NUMBER:** 26014019A01  
**Jan.01.2013**



## Mechanical Drawing:



### Motor:

Nominal Voltage = 48 vdc  
 Operating Voltage Range = 24 - 56 vdc  
 Nominal Running Current = 0.180 amps  
 Locked Rotor Current = 0.450 amps  
 Running Power = 8.4 watts  
 Average Speed = 3700 RPM  
 Bearings = Ball  
 Air Flow = 102 CFM  
 Acoustic = 47.8 dBA

### Construction:

Venturi: Glass filled nylon, black, UL 94V-0  
 Propeller: Plastic, Black, UL 94V-0

### Life Expectancy:

This fan is designed for continuous duty life of 75,000 hours at 40°C.

### Additional Features:

Brushless DC Motor  
 Polarity Protected  
 Electronic Locked Rotor Protection  
 Automatic Restart Capability  
 Operating Temperature: -10°C to 70°C  
 Storage Temperature: -40°C to 85°C

### Termination:

12" Lead wires, 22AWG, UL 1061  
 Red - Power  
 Black - Return

### Agency Approvals:

UL