

THIS DRAWING IS UNPUBLISHED.

RELEASED FOR PUBLICATION NOV ,2005.

© COPYRIGHT 2005 By -

ALL RIGHTS RESERVED.

REVISIONS

P	LTR	DESCRIPTION	DATE	DWN	APVD
	E2	ECR-17-009545	28JUL2017	AS	RS

NOTES:

1 SINGLE PACKING: ONE CONNECTOR PER LABELED BAG PACKAGED. LABELED PER TEC-107-115

2 TRAY PACKAGED

3 Au PLATING

4 Ni PLATING

5 ELECTRICAL CHARACTERISTICS

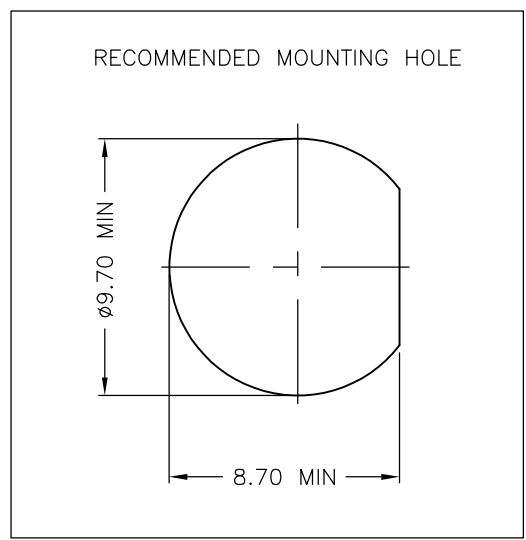
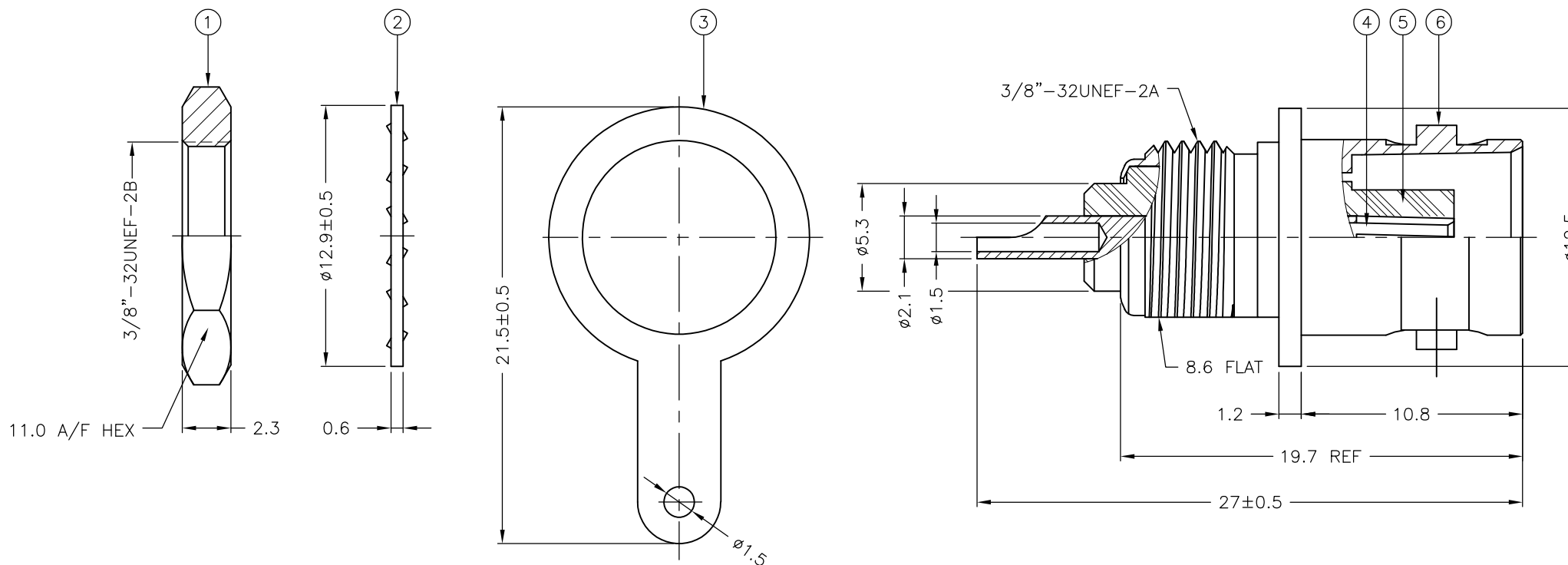
FREQUENCY RANGE:	DC - 4 GHz
NOMINAL IMPEDANCE:	50 Ohm
INSULATION RESISTANCE:	5000 MOhm
WORKING VOLTAGE:	500 Volts RMS at Sea Level
DIELECTRIC WITHSTAND VOLTAGE:	1500 Volts RMS Max
CONTACT RESISTANCE:	
CENTER CONTACT:	1.50 mOhm Max
OUTER CONTACT:	1.00 mOhm Max
VSWR @ 3GHz:	1.35 Max
INSERTION LOSS xdb:	N/A

6 MECHANICAL CHARACTERISTICS

COUPLING RETENTION FORCE:	N/A
CABLE RETENTION FORCE:	N/A
MOUNT NUT RECOMMENDED TORQUE:	2.5 Nm
DURABILITY:	500 Cycles Min

7 ENVIRONMENTAL CHARACTERISTICS

OPERATING TEMPERATURE:	-65 to +165 DegC
------------------------	------------------



QTY	QTY PER ASSY	QTY PER ASSY	MATERIAL	DESCRIPTION	ITEM
1	1	1	BRASS	BODY	6
1	1	1	PTFE	INSULATION	5
1	1	1	PHOSPHOR BRONZE	CONTACT	4
1	1	1	BRASS	SOLDER TAG	3
1	1	1	STEEL	LOCKWASHER	2
1	1	1	BRASS	HEX NUT	1
6--0	1--0		MATERIAL	DESCRIPTION	ITEM

THIS DRAWING IS A CONTROLLED DOCUMENT.		DWN	J.SANDWELL	28NOV05	 TE Connectivity		NAME BNC BULKHEAD SOCKET FRONT MOUNT + TAG 50 OHM	
DIMENSIONS: mm		CHK	S.PARLOW	28NOV05				
TOLERANCES UNLESS OTHERWISE SPECIFIED:		APVD	F.WHEELER-KING	28NOV05				
MATERIAL SEE TABLE		PRODUCT SPEC	-					
FINISH		APPLICATION SPEC	-		SIZE	A3	CAGE CODE	00779
-		WEIGHT	0.000000		DRAWING NO	C-1337448		RESTRICTED TO
-		CUSTOMER DRAWING		SCALE	NTS	SHEET	1 OF 1	REV
-		-		-		-		E2