

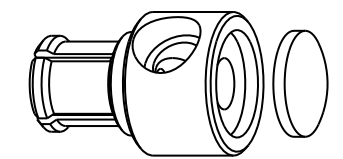
NOTES:

- MATERIALS AND FINISHES:
 BODY - BeCu, GOLD PLATING, .000030 [0.8] THICK OVER NICKEL
 CONTACT - BeCu, GOLD PLATING, .000030 [0.8] THICK OVER NICKEL
 INSULATOR - PTFE
- ELECTRICAL:
 A. IMPEDANCE: 50 OHM
 B. FREQUENCY RANGE: DC - 26.5 GHz
 C. VSWR(RETURN LOSS): 1.2 (20.8 dB), MAX. DC-18GHz
 1.35 (15.6 dB), MAX. 18-26.5GHz
 D. DIELECTRIC WITHSTANDING VOLTAGE: 500 VRMS, MIN.
- PHYSICAL:
 A. DURABILITY: 100 CYCLES MIN.
 B. ENGAGEMENT FORCE: 15 LB [67 N] MAX
 C. DISINGAGEMENT FORCE: 2 LB [9 N] MIN
 E. TEMPERATURE RANGE: -65° C TO 165° C
- PACKAGING:
 A. QUANTITY: SINGLE PACK
 B. MARKING: AMPHENOL, SMP-FR-C07, DATE CODE
- SEE AMPHENOL SPEC 349-50687 FOR CABLE ASSEMBLY INSTRUCTIONS.

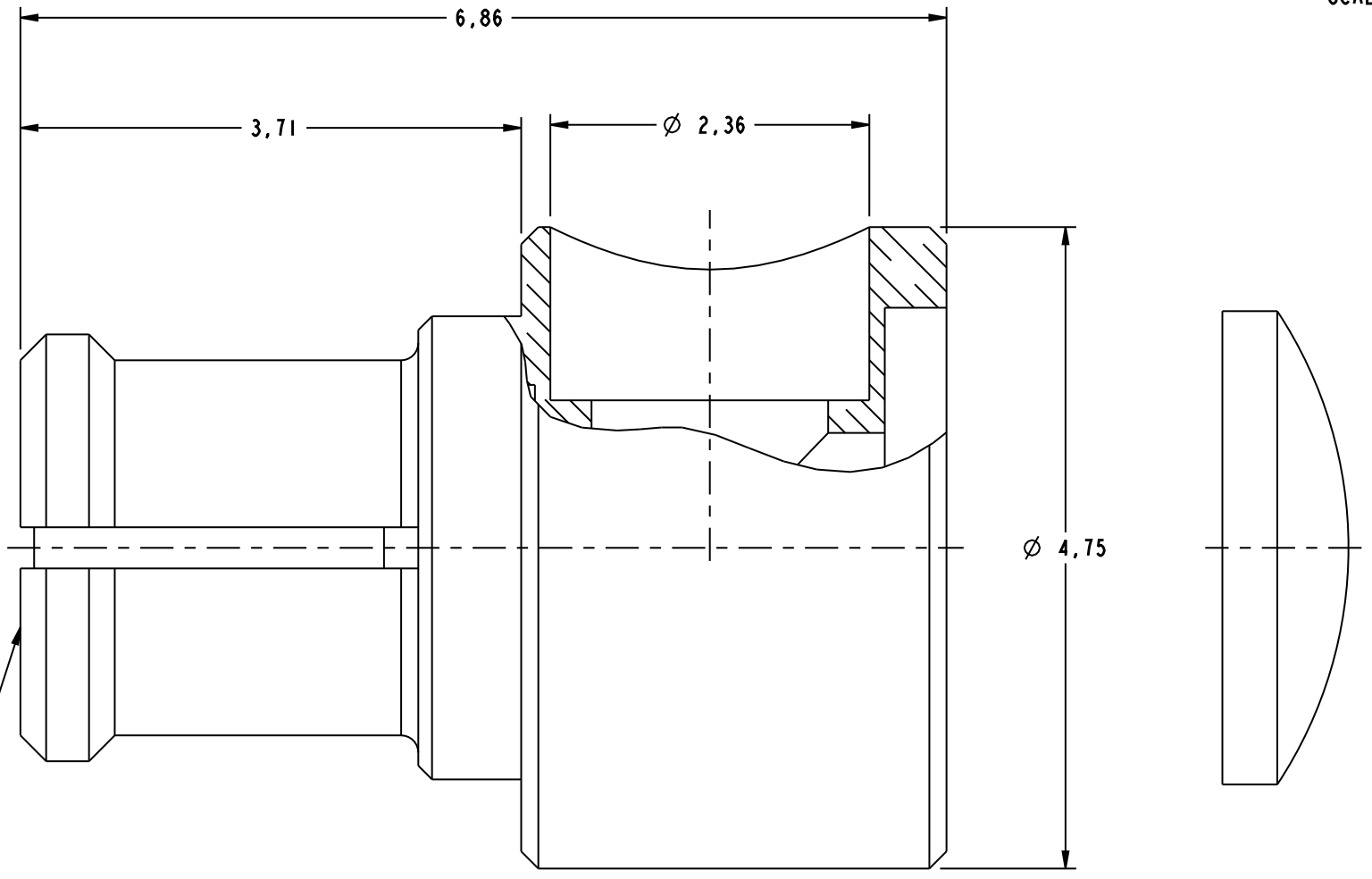
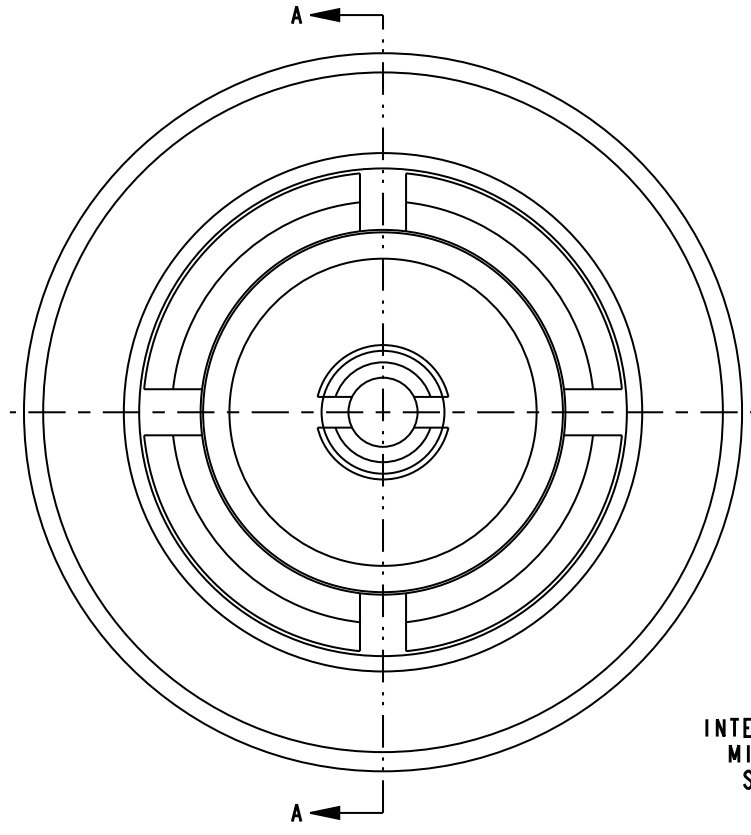
THIRD ANGLE PROJ. 

REVISIONS

REV	DESCRIPTION	DATE	ECO	APPR
A2	SEE SHEET 1	24-Mar-05	--	SHE
B	ITEM 2 WAS CHANGED/RD-DMI0011302SI	25-Jan-10	47962	AC



SCALE 4.000



INTERFACE PER MIL-STD-348 SERIES SMP

SECTION A-A

CUSTOMER OUTLINE DRAWING
ALL OTHER SHEETS ARE FOR INTERNAL USE ONLY

UNLESS OTHERWISE SPECIFIED, DIMENSIONS ARE IN METRIC AND TOLERANCES ARE:
 <0.5mm ± 0.05mm 0.5 - 6mm ± 0.1mm 6 - 30mm ± 0.2mm 30 - 120mm ± 0.3mm ANGLES ± 1°

NOTICE - These drawings, specifications, or other data (1) are, and remain the property of Amphenol corp. (2) must be returned upon request; and (3) are confidential and not to be disclosed to any person other than those to whom they are given by Amphenol Corp. The furnishing of these drawings, specifications, or other data by Amphenol Corp., or to any other person to anyone for any purpose is not to be regarded by implication or otherwise in any manner licensing, granting rights to permitting such holder or any other person to manufacture, use or sell any product, process or design, patented or otherwise, that may in any way be related to or disclosed by said drawings, specifications, or other data.

MATERIAL -	DRAWN S.HE	DATE 25-Jan-10	TITLE SMP R/A FEMALE SOCKET CONTACT(FOR .086 S.R CABLE)	Amphenol RF Danbury CT USA, Tainan, Taiwan, Shenzhen, China www.amphenolrf.com
	ENGINEER G.ANTONINI	DATE 24-Mar-05		
REFERENCE GEN ASSYF3.SMP EAR322 615X-1717	APPROVED A.CHEN	DATE 25-Jan-10	SCALE: 20.0:1.0 SHEET 2 OF 2	DRAWING NO. SMP-FR-C07
FINISH	Root Folder/SMP/SMP-FR-C07	DWG SIZE B	REV B	ITEM NO. SMP-FR-C07 PART NO. SMP-FR-C07