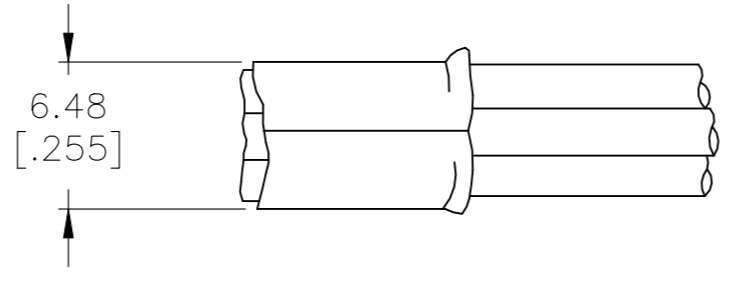
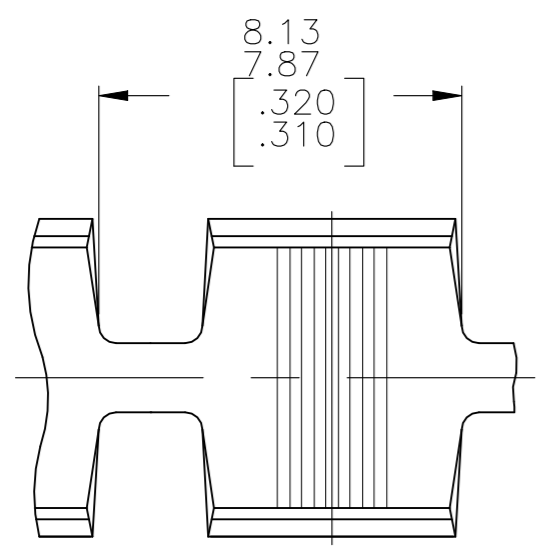


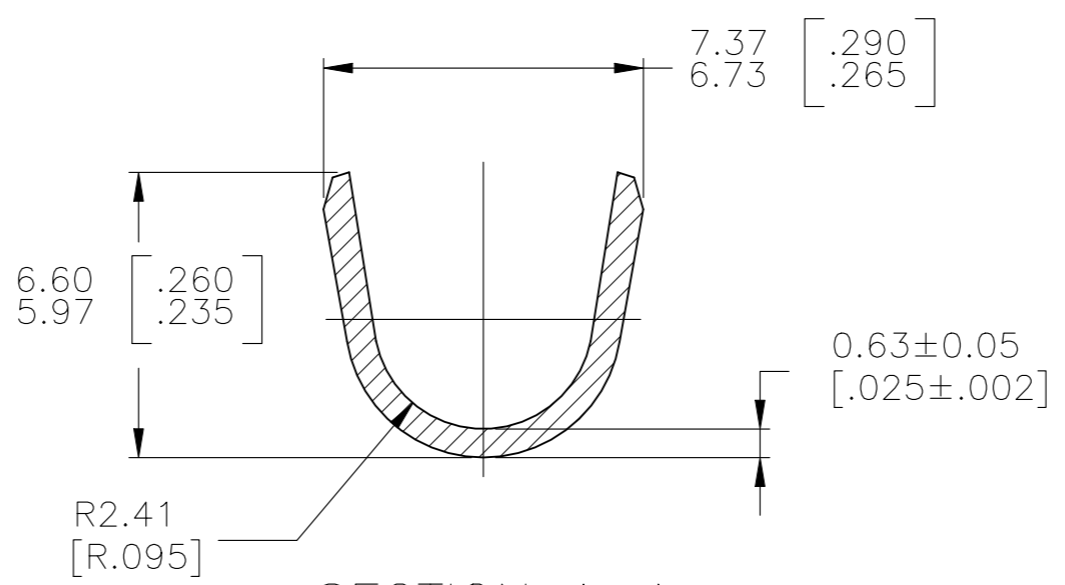
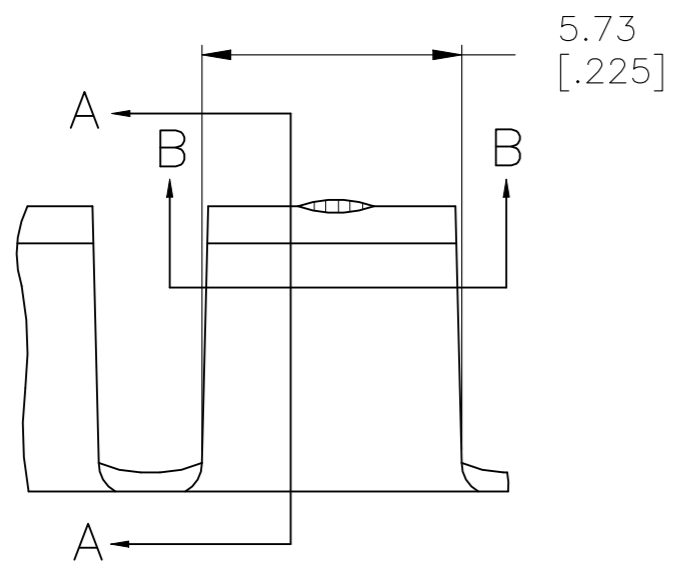
THIS DRAWING IS UNPUBLISHED. RELEASED FOR PUBLICATION  
 © COPYRIGHT - By TYCO ELECTRONICS CORPORATION. ALL RIGHTS RESERVED.

LOC	DIST	REVISIONS			
P	LTR	DESCRIPTION	DATE	DWN	APVD
AF	50	F1	REVISE PER ECN-21-101478	24MAR2021	BDA KR



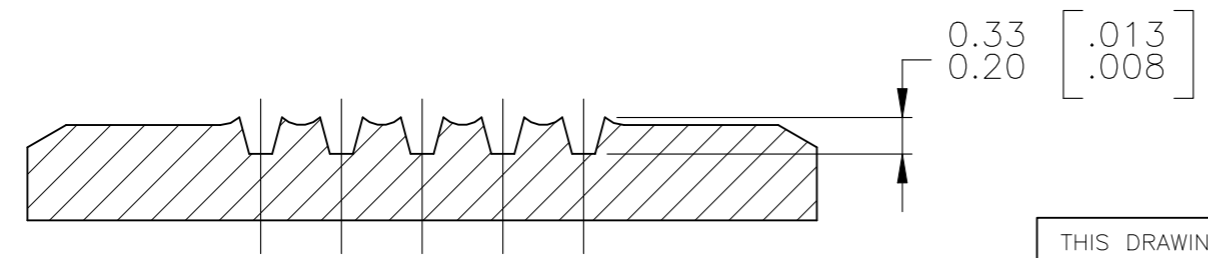
PIGTAIL CONNECTION  
CRIMPED VIEW

- 1 DIMENSIONS IN BRACKETS ARE IN INCHES
- 2 CONTINUOUS STRIP ON REELS WITH TERMINALS LOCATED ON 8.00[.315] CENTERS



SECTION A-A

**OBSOLETE**



SECTION B-B  
SCALE 20:1

7000 TO 12000 CMA	<del>61074-1</del>
WIRE RANGE	PART NO

THIS DRAWING IS A CONTROLLED DOCUMENT.		DWN RAGHAVENDRA 130CT06	<b>STE</b> TE Connectivity	
DIMENSIONS: mm [INCHES]		CHK G.D.PORTA		
TOLERANCES UNLESS OTHERWISE SPECIFIED:		APVD G.D.PORTA	NAME	
0 PLC ± -		PRODUCT SPEC	SPLICE (AMPLIVAR)	
1 PLC ± -		APPLICATION SPEC	RESTRICTED TO	
2 PLC ± -		WEIGHT -	SIZE A3	CAGE CODE 00779
3 PLC ± 0.38 [.015]		MATERIAL BRASS	DRAWING NO C-61074	
4 PLC ± -			SCALE 6:1	SHEET 1 OF 1
ANGLES ± -		CUSTOMER DRAWING		
FINISH TIN				