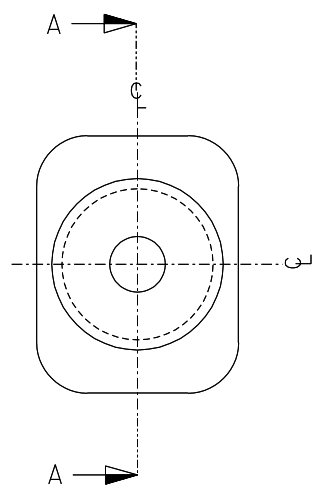
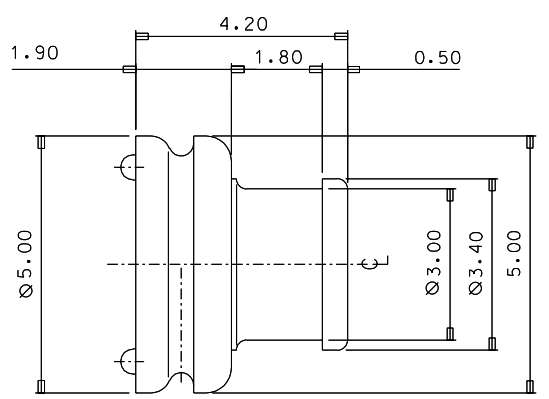
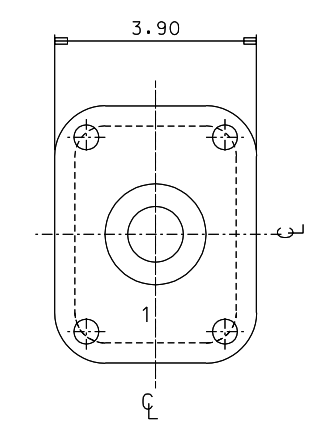
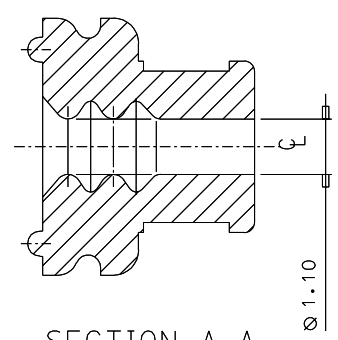


DO NOT SCALE DRAWING DIMENSION IN METRIC

PROJECT NO. SIMILAR ITEM DWG. NO. SD-35903-063



APPLICATION	AVS 0.3
WIRE (mm <sup>2</sup> )	AVSS 0.3 - 0.5
	CAVS 0.3 - 0.5



SECTION A-A

NOTE  
 1. MATERIAL: INTERNALLY LUBRICATED SILICONE.  
 2. COLOR: BLACK

359030114	35903-0114
MATERIAL NO.	ENG. NO.

REVISED	EC NO. KOR2004-0041
	DRWN: S.M.KIM 03/09/08
	CHK: B.C.YOON 03/09/08
	APPR: C.W.LEE
B	REV

QUALITY SYMBOLS	MAJOR	CRITICAL
	▲	△

GENERAL TOLERANCES: (UNLESS SPECIFIED)	mm	INCH
4 PLACES	±0.	±.
3 PLACES	±0.	±.
2 PLACES	±0.3	±.
1 PLACE	±0.	±.
ANGULAR: ±	°	
DRAFT WHERE APPLICABLE MUST REMAIN WITHIN DIMENSIONS		

SCALE	10:1
DESIGN UNITS	<input checked="" type="checkbox"/> mm <input type="checkbox"/> INCH
DRAWN BY & DATE	'01.10.22 H.C.RHO
CHECKED BY & DATE	'01.10.22 B.K.CHOI
APPROVED BY & DATE	'01.10.22 C.W.LEE
CAD FILENAME	S060WS

DIMENSIONS:	<input type="checkbox"/> mm <input type="checkbox"/> INCH	<input checked="" type="checkbox"/> mm ONLY
THIRD ANGLE PROJECTION	<input type="checkbox"/> THIRD ANGLE <input checked="" type="checkbox"/> FIRST ANGLE	
TITLE:	.060 WIRE SEAL(MIRROR)	
MOLEX INCORPORATED MATERIAL NO. SEE NOTE DRAWING NO. SD-35903-063 SHEET NO. 1 OF 1		
THIS DRAWING CONTAINS INFORMATION THAT IS PROPRIETARY TO MOLEX INCORPORATED AND SHOULD NOT BE USED WITHOUT WRITTEN PERMISSION.		
SIZE	B	