

CKT SIZE	DIM A	DIM B	DIM C	DIM D
2	.165 (4.20)	.378 (9.60)	.520 (13.20)	.772 (19.60)
4	.496 (12.60)	.709 (18.00)	.850 (21.60)	1.102 (28.00)
5	.661 (16.80)	.874 (22.20)	1.016 (25.80)	1.268 (32.20)
6	.827 (21.00)	1.039 (26.40)	1.181 (30.00)	1.433 (36.40)
7	.992 (25.20)	1.205 (30.60)	1.346 (34.20)	1.598 (40.60)
8	1.157 (29.40)	1.370 (34.80)	1.512 (38.40)	1.764 (44.80)
9	1.323 (33.60)	1.535 (39.00)	1.677 (42.60)	1.929 (49.00)
10	1.488 (37.80)	1.701 (43.20)	1.843 (46.80)	2.094 (53.20)
11	1.654 (42.00)	1.866 (47.40)	2.008 (51.00)	2.260 (57.40)
12	1.819 (46.20)	2.031 (51.60)	2.173 (55.20)	2.425 (61.60)

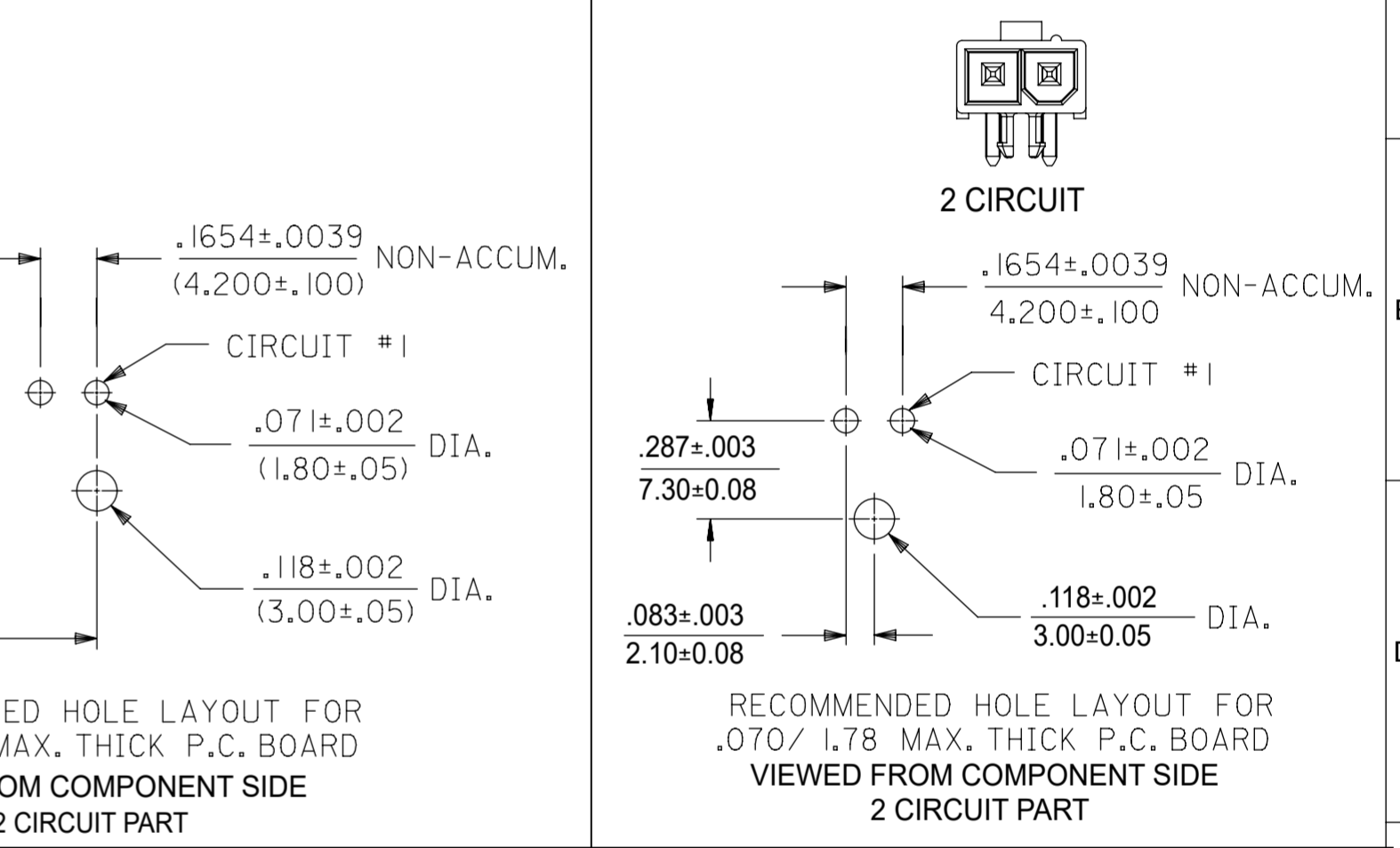
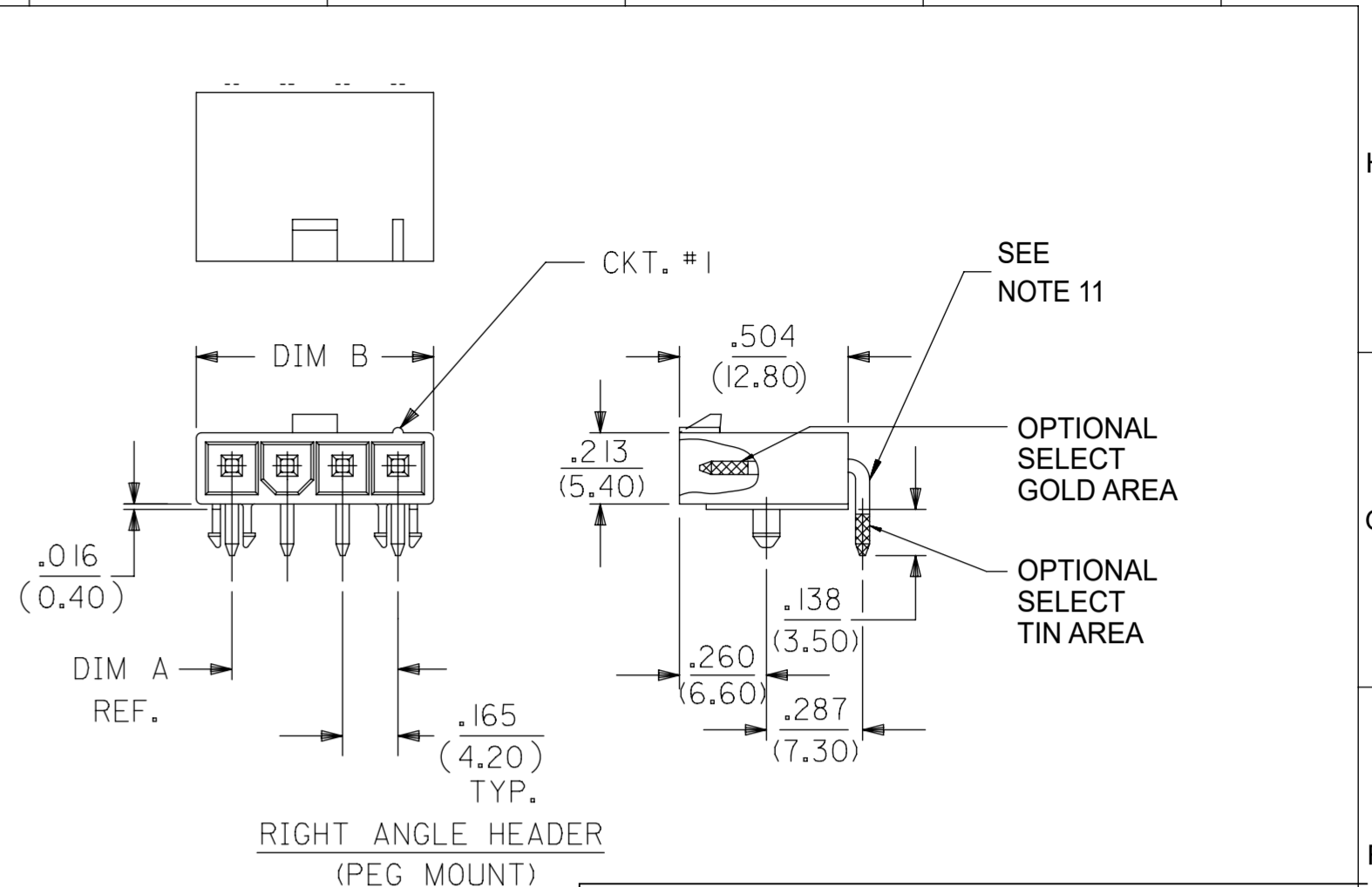
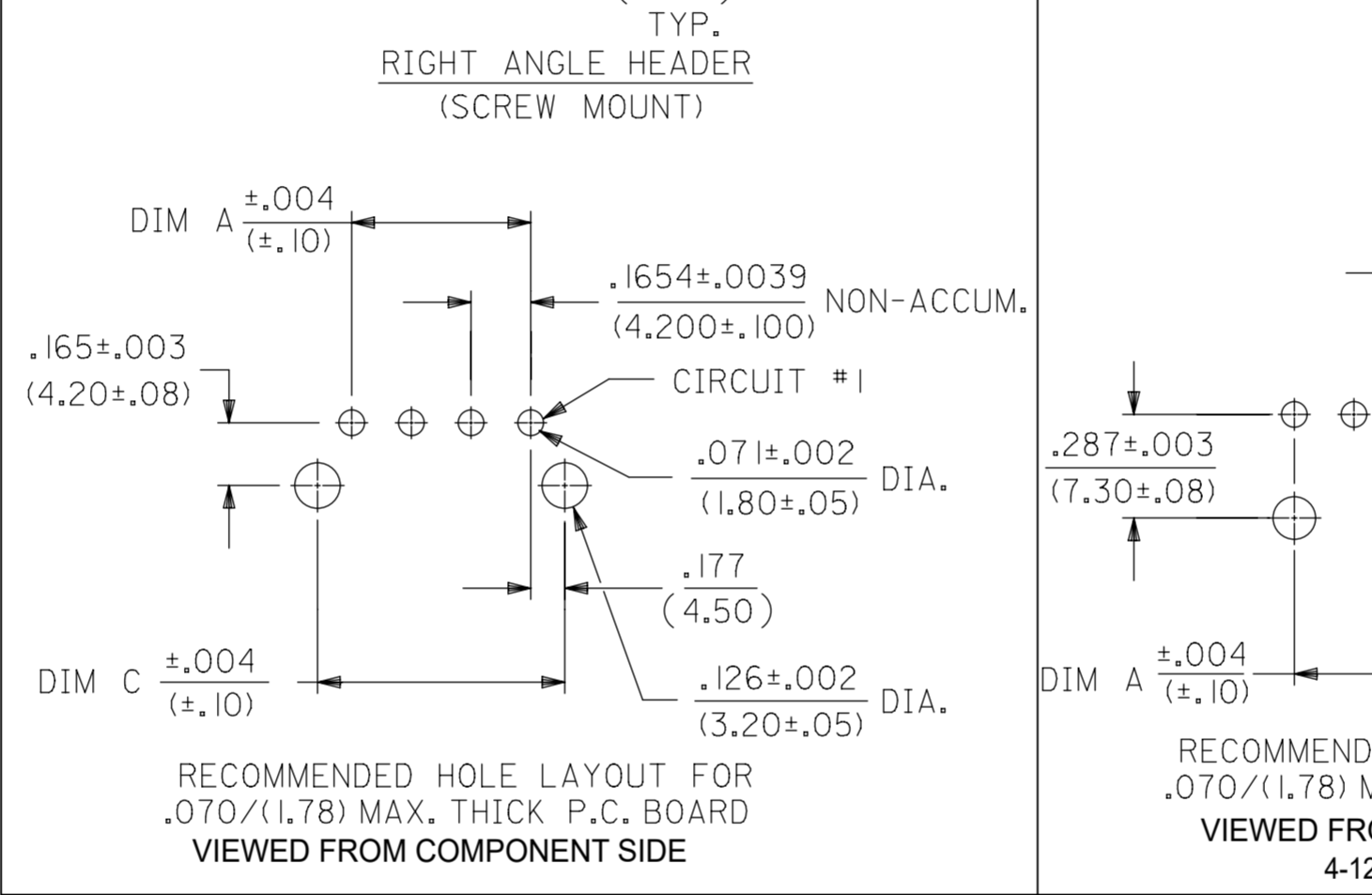
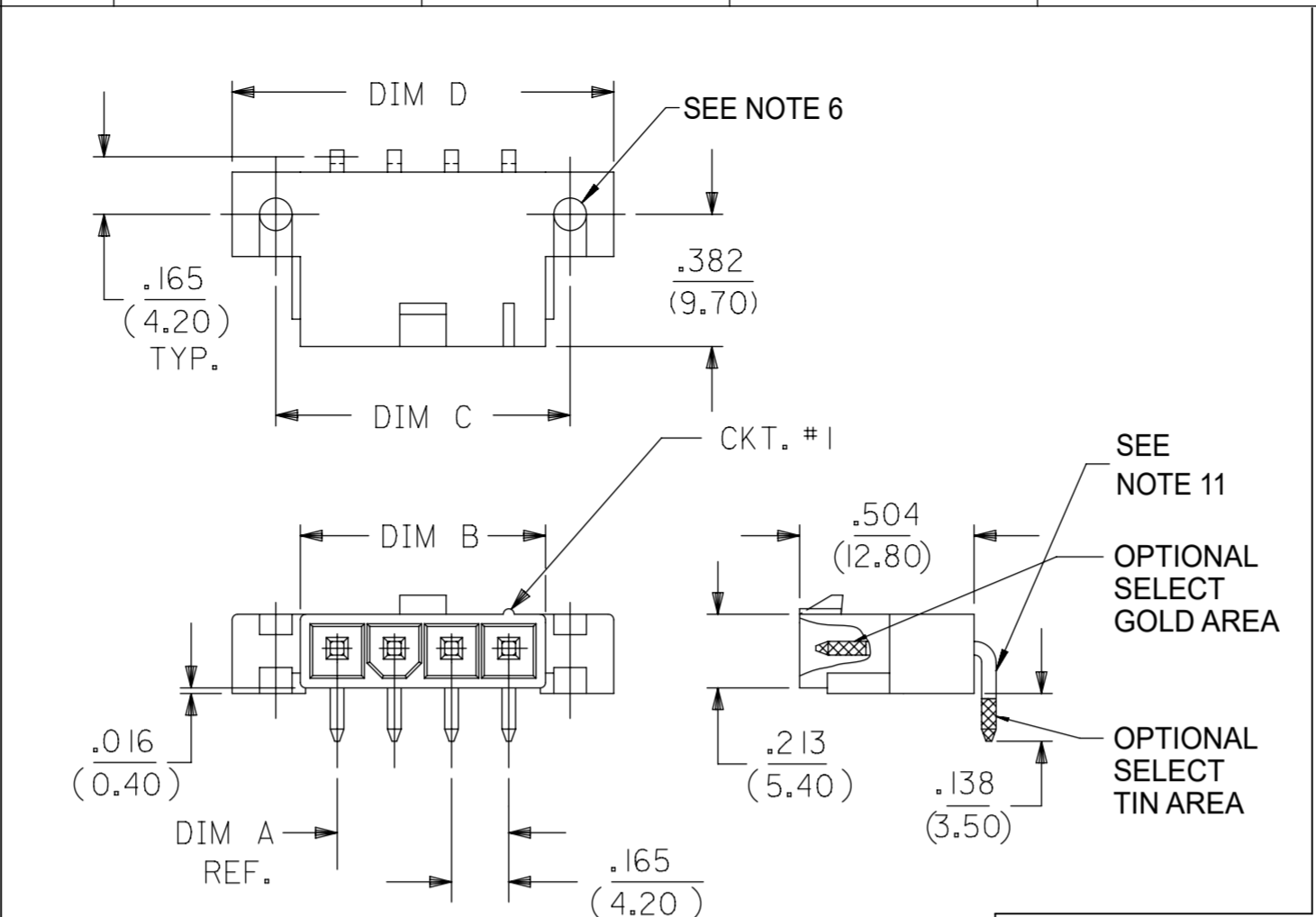
172648 - \* \* \*\*

PLATING & PACKAGING  
SEE NOTE 2  
0 = TIN  
1 = GOLD  
6 = TIN, TRAY PACKAGING  
(ONLY FOR 4 & 5 CKT)  
7 = GOLD, TRAY PACKAGING  
(ONLY FOR 4 & 5 CKT)

ASSEMBLY TYPE  
1 = SINGLE ROW W/PEGS  
POSITIVE LOCK  
2 = SINGLE ROW W/SCREW MOUNT  
POSITIVE LOCK

CIRCUIT SIZE

- NOTES:
- MATERIAL:  
HOUSING:  
UNFILLED NYLON, UL94V-2, IEC 60335-1,  
5TH EDITION GLOW WIRE CAPABLE, COLOR - BLACK.  
TERMINAL:  
BRASS ALLOY
  - FINISH (PLATING):  
GOLD = .000030/(0.00076) MIN. SELECT GOLD OVER  
.000100/(0.00254) MIN. SELECT MATTE TIN  
OVER .000050/(0.00127) MIN. NICKEL OVERALL  
TIN = .000100/(0.00254) MIN. MATTE TIN OVER  
.000050/(0.00127) MIN. NICKEL OVERALL
  - PRODUCT SPECIFICATION: PS-5556-001
  - PACKAGING SPECIFICATION: BULK PACK PER PK-5569-002  
TRAY PACK PER PK-5569-005
  - PART MATES WITH MINI-FIT JR. RECEPTACLE SERIES 46994.
  - SCREW MOUNT PARTS ARE DESIGNED FOR USE WITH #4 OR  
M3 SELF TAPPING SCREWS.
  - DISCOLORATION IN THE BANDOLIER CARRIER AREA OF THE PIN IS  
INHERENT TO THE PLATING PROCESS AND IS DUE TO THE MASKING  
EFFECT OF THE CARRIER. THIS DISCOLORATION IS IN A NON-FUNCTIONAL  
AREA OF THE PIN AND WILL NOT AFFECT THE PERFORMANCE OF THE  
HEADER ASSEMBLY.
  - CONNECTORS ARE NOT TO BE MATED AND UNMATED WHILE CIRCUITS ARE LIVE.
  - PARTS ARE NOT DESIGNED FOR CURRENT SHARING.
  - PART CONFORMS TO CLASS "B" REQUIREMENTS OF COSMETIC  
SPECIFICATION PS-45499-002, WITH THE EXCEPTION OF DISCOLORATION,  
FLASH AND SINK MEET CLASS "C" REQUIREMENTS.
  - FORMING MARKS ON PINS ARE ACCEPTABLE.



BULK PACKAGED PER PK-5569-002									
BULK PACKED PART NUMBERS ARE NOT RECOMMENDED, FOR NEW APPLICATIONS USE THE TRAY PACKED PART NUMBERS									
PART NUMBER	CKT SIZE	MOUNTING OPTION	PLATING SEE NOTE 2	PACKAGING	PART NUMBER	CKT SIZE	MOUNTING OPTION	PLATING SEE NOTE 2	PACKAGING
172648-0102	2	PEG	TIN	TRAY	172648-1102	2	PEG	GOLD	TRAY
172648-0104	4			BULK	172648-1104	4			BULK
172648-6104	4			TRAY	172648-7104	4			TRAY
172648-0105	5			BULK	172648-1105	5			BULK
172648-6105	5			TRAY	172648-7105	5			TRAY
172648-0106	6			TRAY	172648-1106	6			TRAY

THIS DRAWING CONTAINS INFORMATION THAT IS PROPRIETARY TO MOLEX ELECTRONIC TECHNOLOGIES, LLC AND SHOULD NOT BE USED WITHOUT WRITTEN PERMISSION

DIMENSION UNITS	SCALE	CURRENT REV DESC:	<b>molex</b>		
mm	NTS				
GENERAL TOLERANCES (UNLESS SPECIFIED)			MINI-FIT JR RIGHT ANGLE HEADER ASSEMBLY SINGLE ROW, GLOW WIRE		
ANGULAR TOL	± 3.0°	EC NO: 727987	PRODUCT CUSTOMER DRAWING		
4 PLACES	±	DRWN: JERRYW8	DOCUMENT NUMBER		
3 PLACES	±	CHK'D: XQZHANG	SD-172648-0000		
2 PLACES	± 0.38	APPR: XQZHANG	DOC TYPE	DOC PART	REVISION
1 PLACE	±	INITIAL REVISION:	PSD	001	B
0 PLACES	±	DRWN: NNGUYEN	SHEET NUMBER		
		APPR: FSMITH	1 OF 1		
DRAFT WHERE APPLICABLE MUST REMAIN WITHIN DIMENSIONS	THIRD ANGLE PROJECTION	DRAWING	SERIES	MATERIAL NUMBER	CUSTOMER
		A2-SIZE	172648	SEE CHART	GENERAL MARKET