



## Specifications

Electrical Ratings	100mA @ 50VDC	Insulation Resistance	>100MΩ min
Electrical Life	25,000 steps typical	Operating Temperature	-40°C to 85°C
Contact Resistance	<80mΩ initial	Storage Temperature	-40°C to 85°C
Rotational Torque	120gF maximum	Sealing Degree	IP67
Dielectric Strength	250Vrms min. @ sea level		

## Materials

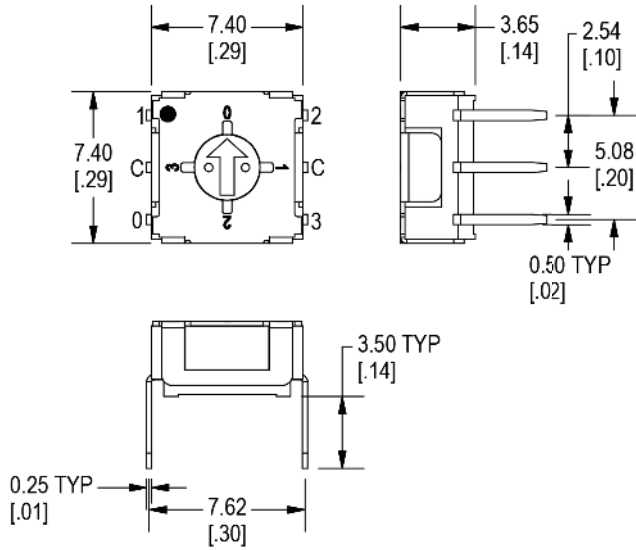
Actuator	LCP
Cover	SUS
Housing	LCP
Contacts	Copper Alloy, Gold over Nickel Plated
Terminals	Copper Alloy, Gold over Nickel Plated

## Ordering Information

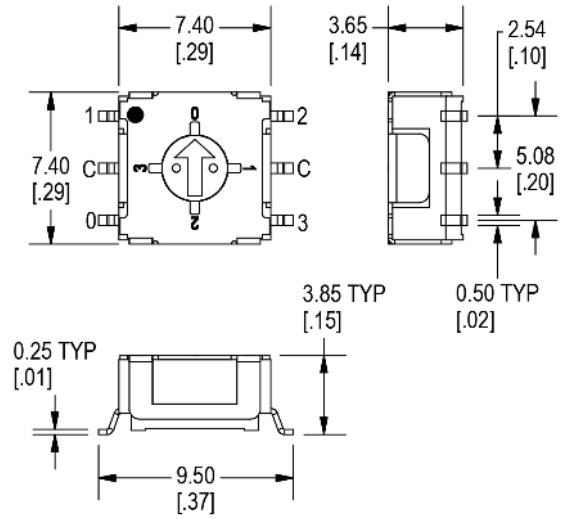
1. Series	RD07	A	10	R	T	T
RD07						
2. Actuator Style A = Arrow, flush B = Slot, knurled 4.9mm C = Slot, flat 4.2mm						
3. Number of Positions 4 = 4 position 10 = 10 position 16 = 16 position						
4. Code Options R = Real Code C = Complementary Code						
5. Terminals T = Through-hole PC pin G = Gull wing, surface mount VA = Right angle PC pin, 2.54mm spacing VB = Right angle PC pin, 5.08mm spacing						
6. Packaging Options T = Tube R = Tape & Reel, for use with G terminals only						

**Dimensions - 4 Position**

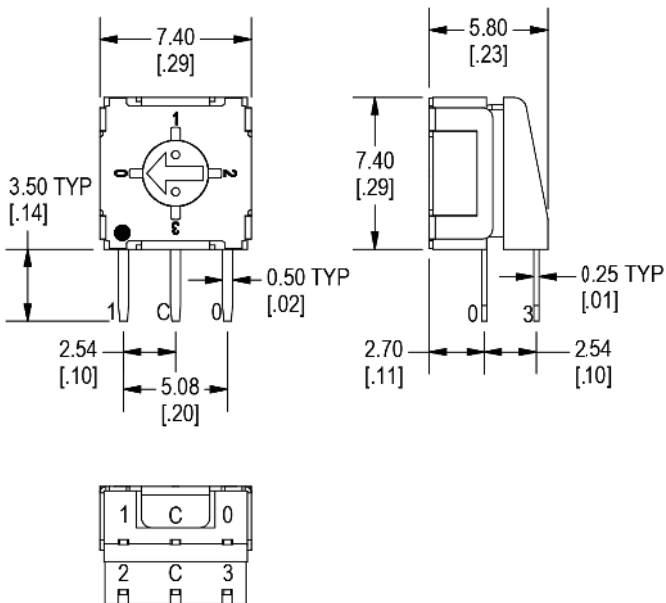
T Terminals



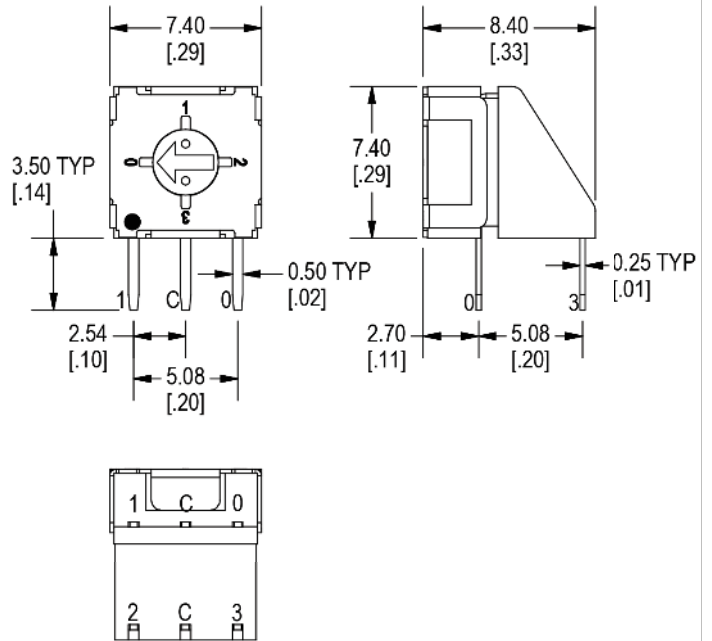
G Terminals



VA Terminals

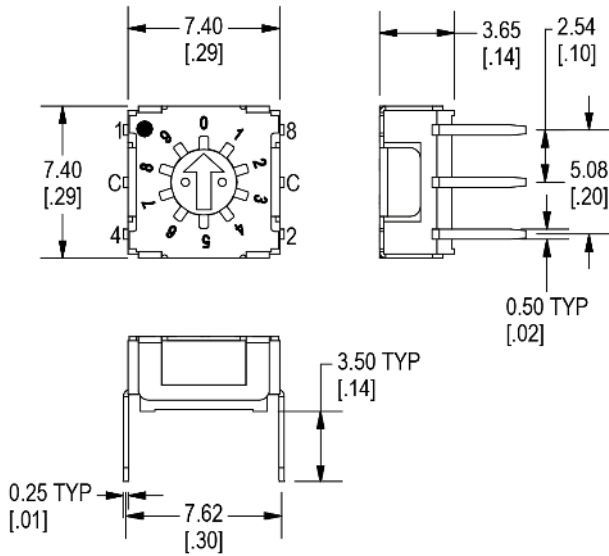


VB Terminals

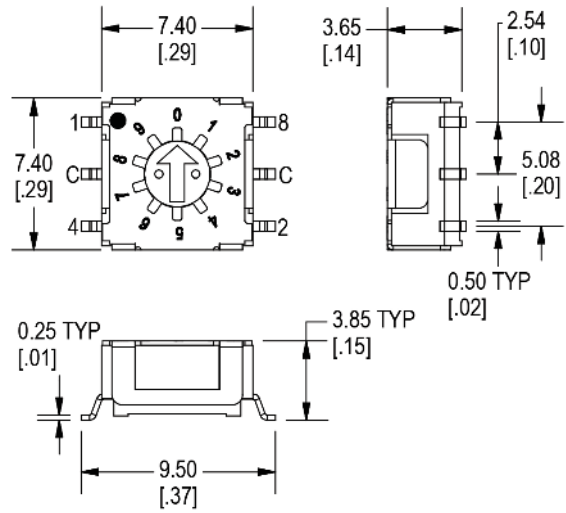


**Dimensions - 10 Position**

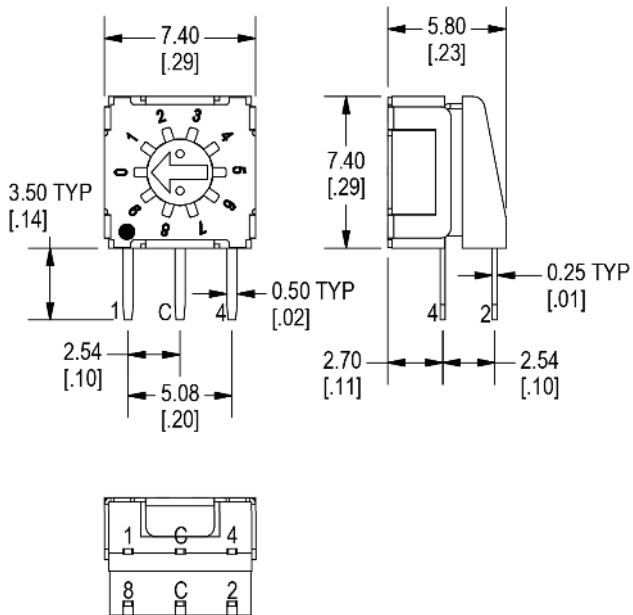
**T Terminals**



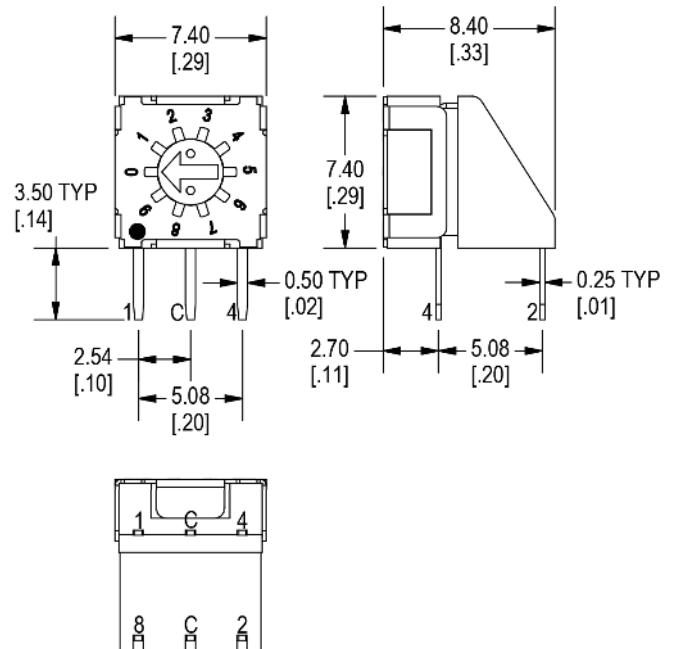
**G Terminals**



**VA Terminals**

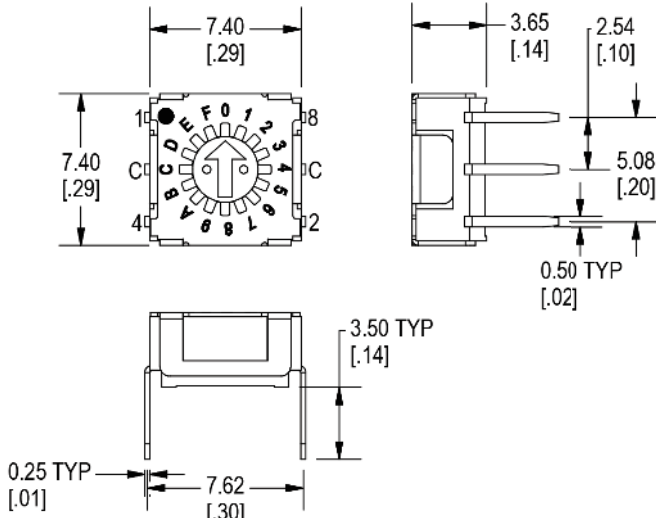


**VB Terminals**

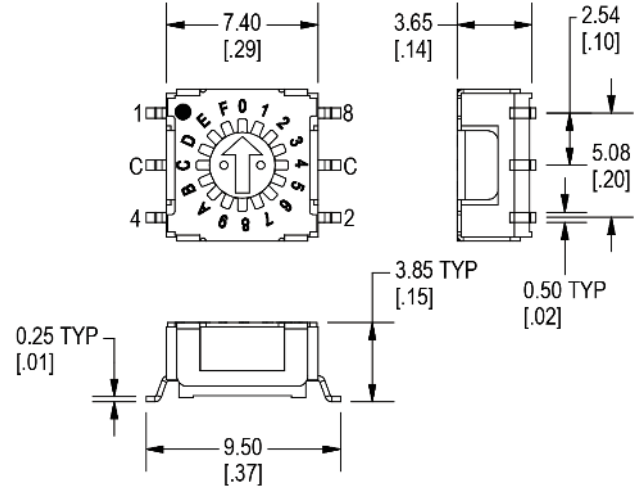


**Dimensions - 16 Position**

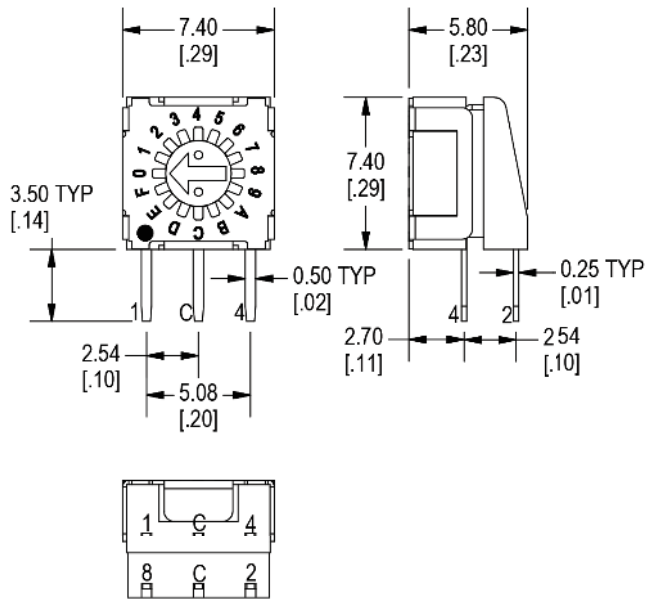
T Terminals



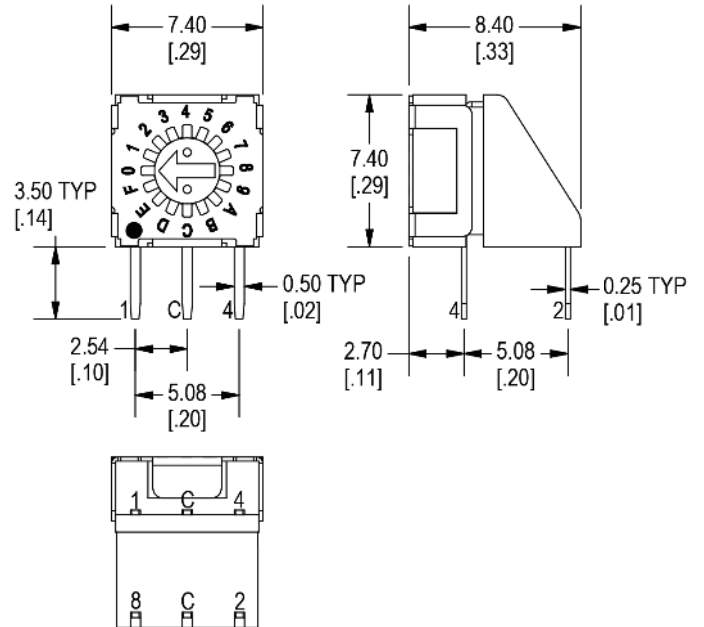
G Terminals



VA Terminals

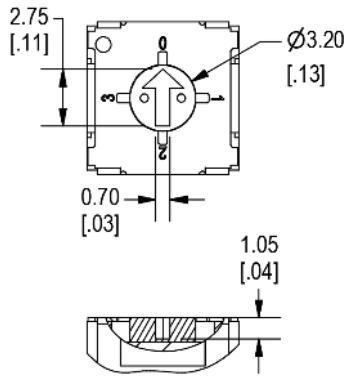


VB Terminals

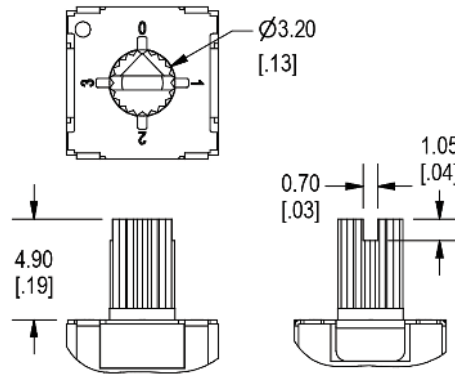


## Actuator Options

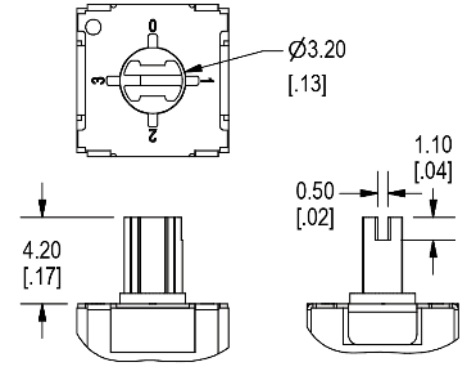
A, Flush Arrow



B, Knurled Slot, 4.9mm

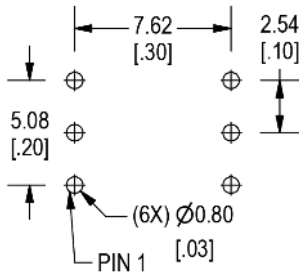


C, Flat Slot, 4.2mm

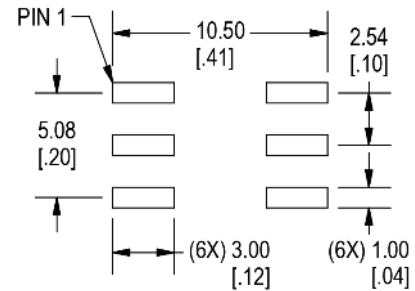


## PC Layouts

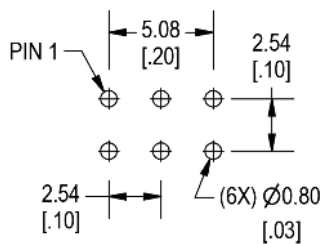
T, Through Hole PC Pin



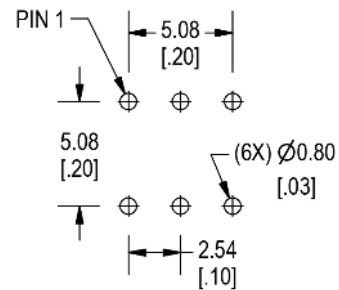
G, Surface Mount Gull Wing



VA, Right Angle PC Pin, 2.54mm spacing



VB, Right Angle PC Pin, 5.08mm spacing



## Code Options

### 4 Position, BCD

4 Position Real Code			
Position	C	0	2
0	♦		
1	♦	♦	
2	♦		♦
3	♦	♦	♦

### 4 Position, BCD Complement

4 Position Complement Code			
Position	C	0	2
0	♦	♦	♦
1	♦		♦
2	♦	♦	
3	♦		

### 10 Position, BCD

10 Position Real Code					
Position	C	1	2	4	8
0	♦				
1	♦	♦			
2	♦		♦		
3	♦	♦	♦		
4	♦			♦	
5	♦	♦		♦	
6	♦		♦	♦	
7	♦	♦	♦	♦	
8	♦				♦
9	♦	♦			♦

### 10 Position, BCD Complement

10 Position Complement Code					
Position	C	1	2	4	8
0	♦	♦	♦	♦	♦
1	♦		♦	♦	♦
2	♦	♦		♦	♦
3	♦			♦	♦
4	♦	♦	♦		♦
5	♦		♦		♦
6	♦	♦			♦
7	♦				♦
8	♦	♦	♦	♦	
9	♦		♦	♦	

### 16 Position, BCD

16 Position Real Code						
Position	C	1	2	4	8	-
0	♦					0
1	♦	♦				1
2	♦		♦			2
3	♦	♦	♦			3
4	♦			♦		4
5	♦	♦		♦		5
6	♦		♦	♦		6
7	♦	♦	♦	♦		7
8	♦				♦	8
9	♦	♦			♦	9
10	♦		♦		♦	A
11	♦	♦	♦		♦	B
12	♦			♦	♦	C
13	♦	♦		♦	♦	D
14	♦		♦	♦	♦	E
15	♦	♦	♦	♦	♦	F

### 16 Position, BCD Complement

16 Position Complement Code						
Position	C	1	2	4	8	-
0	♦	♦	♦	♦	♦	0
1	♦		♦	♦	♦	1
2	♦	♦		♦	♦	2
3	♦			♦	♦	3
4	♦	♦	♦		♦	4
5	♦		♦		♦	5
6	♦	♦			♦	6
7	♦				♦	7
8	♦	♦	♦	♦		8
9	♦		♦	♦		9
10	♦	♦		♦		A
11	♦			♦		B
12	♦	♦	♦			C
13	♦		♦			D
14	♦	♦				E
15	♦					F