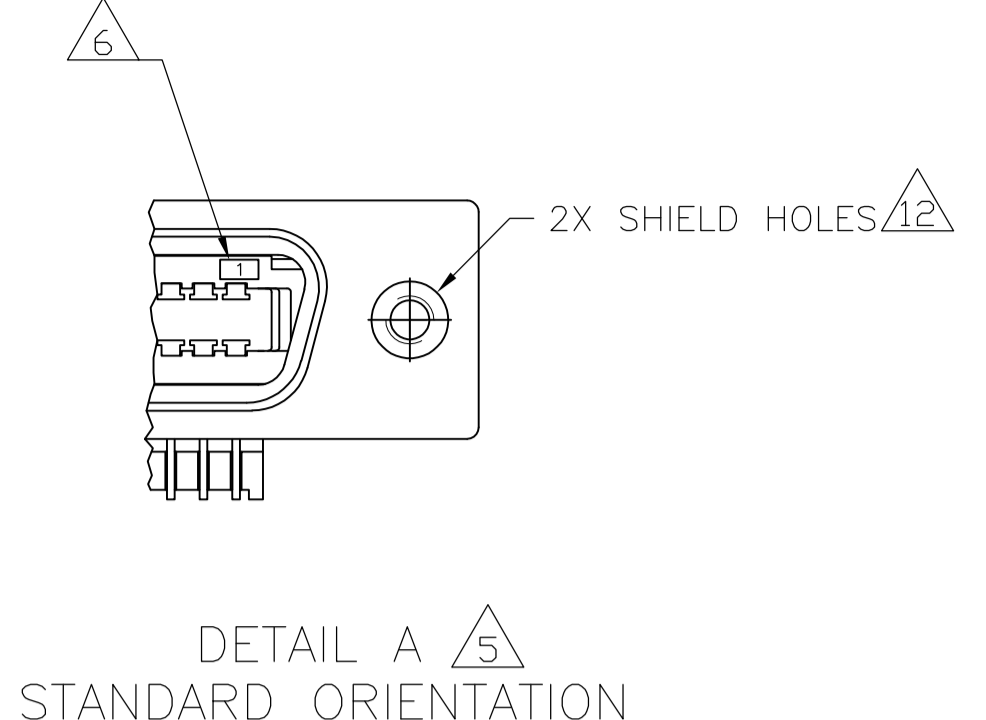
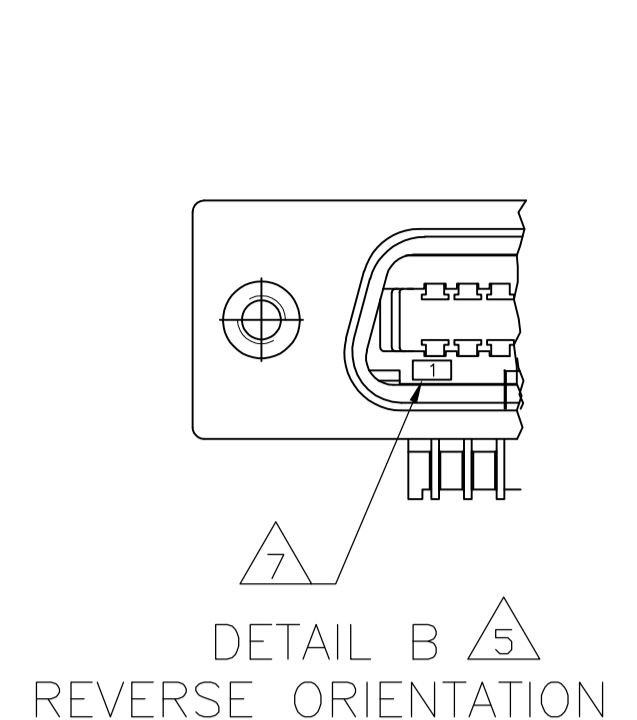
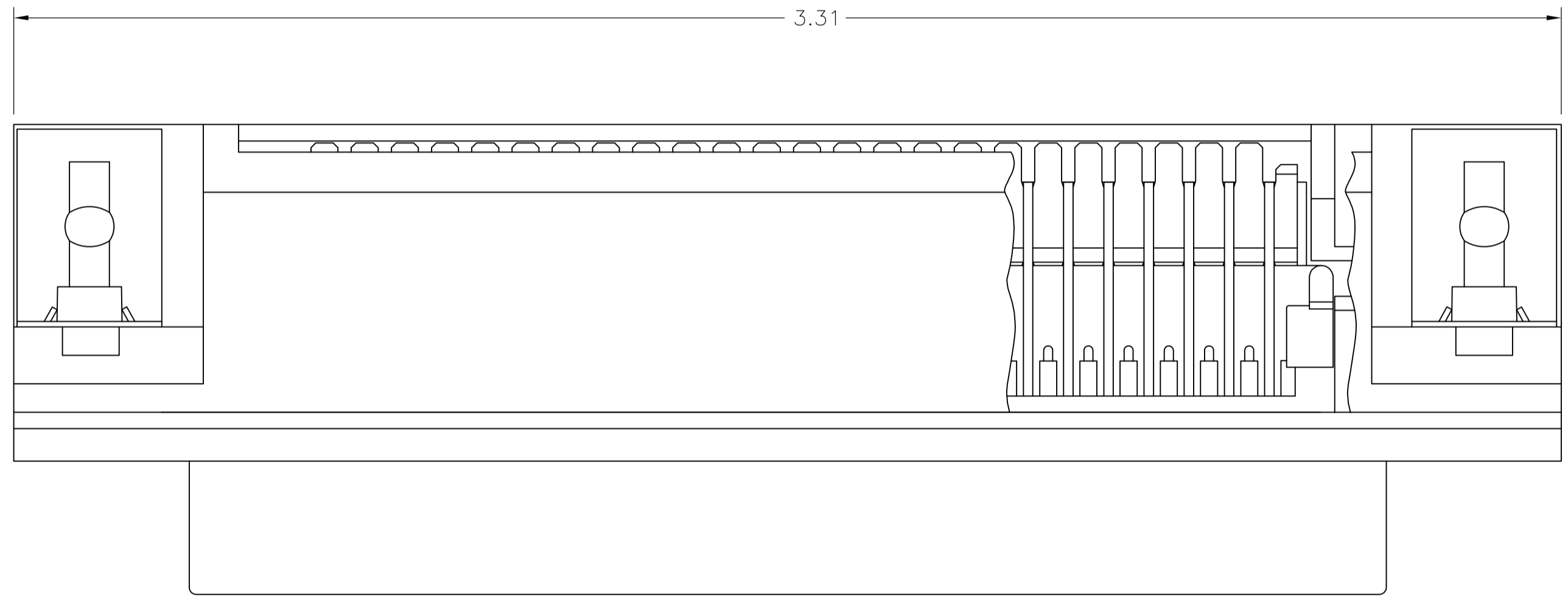


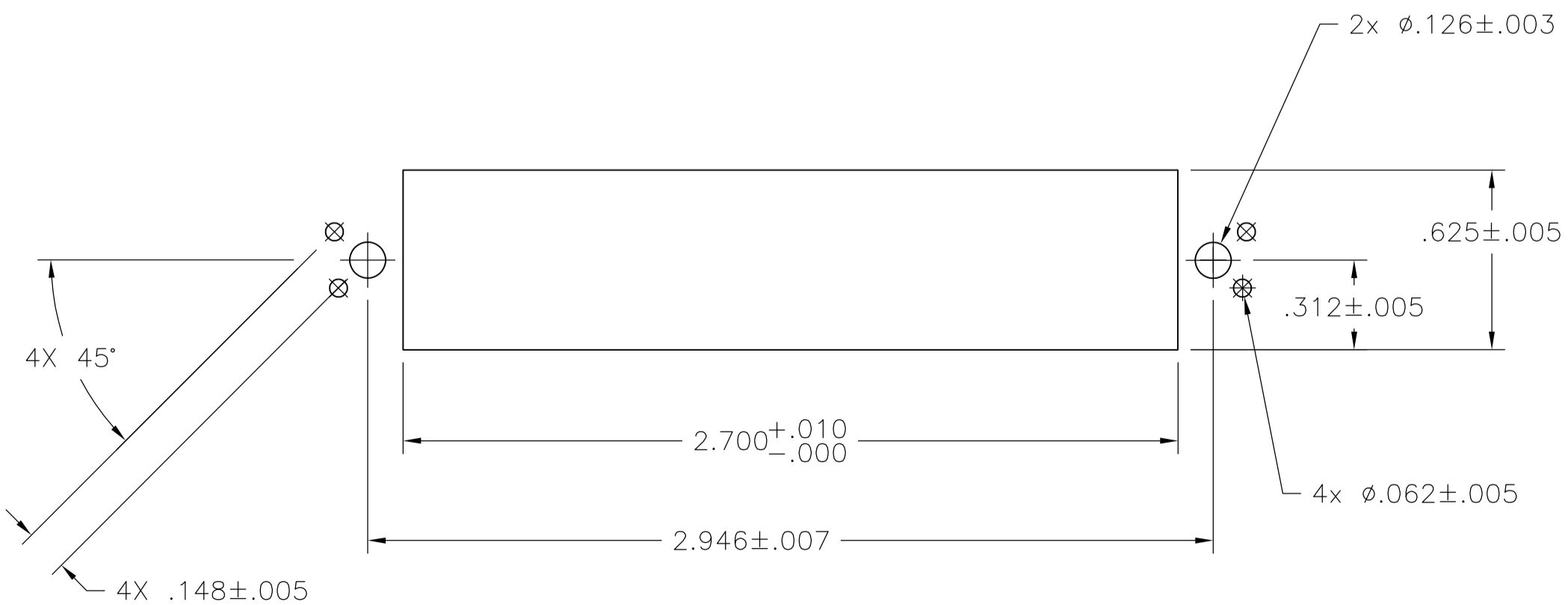
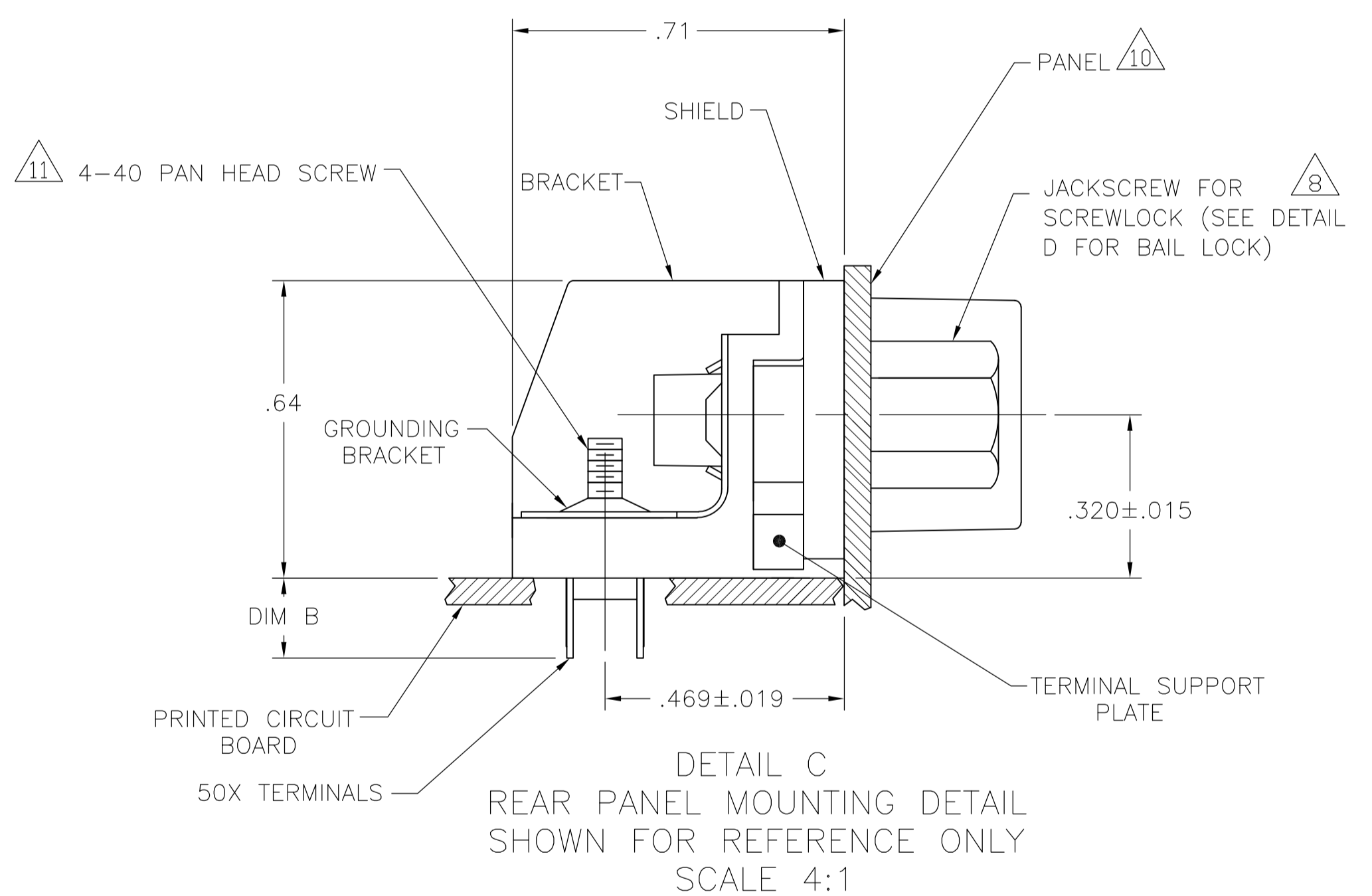
SUGGESTED PRINTED CIRCUIT BOARD MOUNTING DIMENSIONS



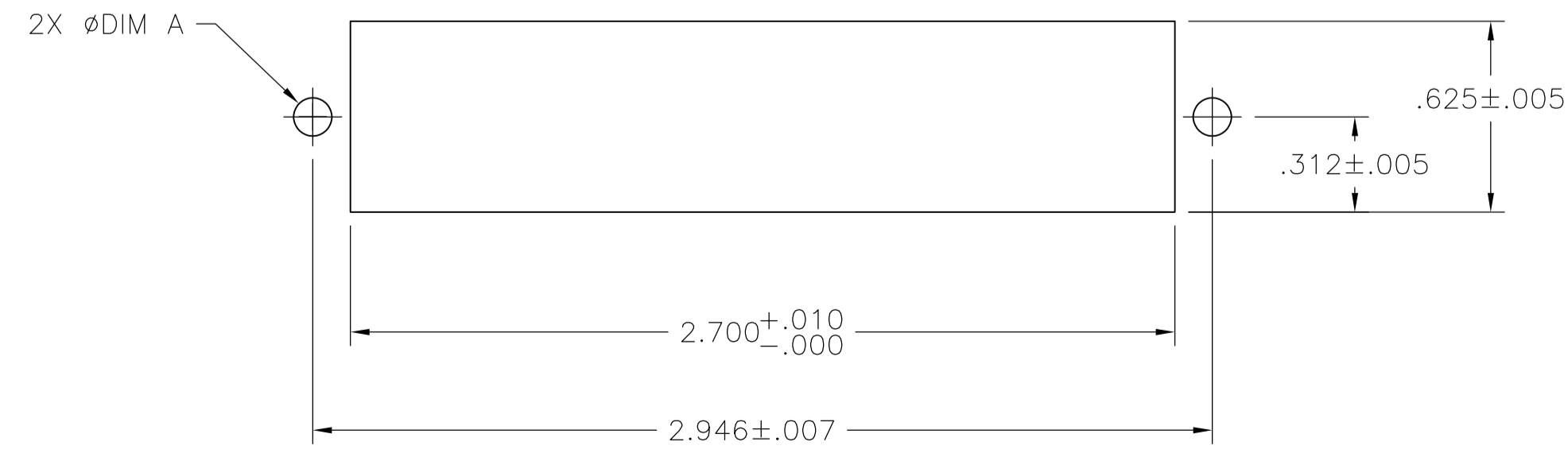
- $\Delta$ 1 MATERIAL:  
HOUSING, BRACKET, ADAPTER COMB AND TERMINAL SUPPORT PLATE: POLYESTER.  
MOLDING COMPOUND: UL94V-0 RATING, BLACK.  
SHIELD: BRIGHT NICKEL OVER COPPER, PLATED DIE CASTING,  
TERMINALS - HIGH STRENGTH COPPER ALLOY PLATED WITH EITHER .000030 MIN GOLD PLATE OR GOLD FLASH OVER PALLADIUM NICKEL PLATE, .000030 MIN TOTAL ON MATING SURFACE. .000120 MIN TIN PLATE ON TAILS. ALL OVER .000050 MIN NICKEL UNDERPLATE OVER ENTIRE TERMINAL.
- 2. THE CONTACT SURFACES OF THE TERMINALS ARE COATED WITH LUBRICANT.
- 3. CENTER-TO-CENTER SPACING OF TERMINALS IS .085 NOMINAL.
- 4. ALL DIMENSIONS SHOWN ARE MAXIMUM UNLESS OTHERWISE SPECIFIED.
- $\Delta$ 5 DETAILS A & B ARE VIEWED FROM MATING SIDE OF RECEPTACLE ASSEMBLY.
- $\Delta$ 6 TERMINAL 1 IS LOCATED IN THIS ROW FOR STANDARD ORIENTATION.
- $\Delta$ 7 TERMINAL 1 IS LOCATED IN THIS ROW FOR REVERSE ORIENTATION.
- $\Delta$ 8 SCREWS SHOWN FOR REFERENCE ONLY, RECOMMENDED HARDWARE KIT 5554272-1 FOR USE WITH PART NUMBER 5553813-3 & 4. WHEN SCREW LOCK FEATURE IS REQUIRED.
- 9. SHIELD IS ASSEMBLED TO CONNECTOR BEFORE SHIPMENT.
- $\Delta$ 10 PANEL THICKNESS RANGE: .062 MAX.
- $\Delta$ 11 STAINLESS STEEL SCREWS RECOMMENDED, BECAUSE OF CONTACT WITH SOLDER BATH.
- $\Delta$ 12 HOLES TO BE TAPPED AFTER PLATING.
- $\Delta$ 13 USE HARDWARE KIT 554818-2 FOR PART NUMBERS 5553813-3 & 4. WHEN BAIL LOCK FEATURE IS REQUIRED.
- $\Delta$ 14 THE BAIL LOCK FEATURE HAS APPLICATION FOR SMALL COMPUTER SYSTEMS INTERFACE (SCSI).



DETAIL D  
SAME AS DETAIL C EXCEPT FOR BAIL LOCK FEATURE (SCSI)  
SCALE 4:1



SUGGESTED PANEL CUTOUT FOR BAIL LOCK FEATURE (SCSI)  $\Delta$ 13



SUGGESTED PANEL CUTOUT FOR SCREW LOCK FEATURE  $\Delta$ 8

.157±.015	.126±.003	4-40 UNC-2B	REVERSE	B	5553813-4
.157±.015	.126±.003	4-40 UNC-2B	STANDARD	A	5553813-3
DIM B TERMINALS	DIM A HOLE	SHIELD HOLE SIZE	ORIENTATION	DETAIL	PART NUMBER

THIS DRAWING IS A CONTROLLED DOCUMENT.		DIN B1 MCMASTER 10AUG05	Tyco Electronics Corporation Harrisburg, PA 17105-3608	
DIMENSIONS: INCHES	TOLERANCES UNLESS OTHERWISE SPECIFIED:	0 PLC ± -	1 PLC ± -	2 PLC ± -
		3 PLC ± -	4 PLC ± -	ANGLES ± -
MATERIAL $\Delta$ 1	FINISH $\Delta$ 1	WEIGHT -	SIZE A1	CAGE CODE 00779
CUSTOMER DRAWING		SCALE 2:1	SHEET 1 OF 1	REV B