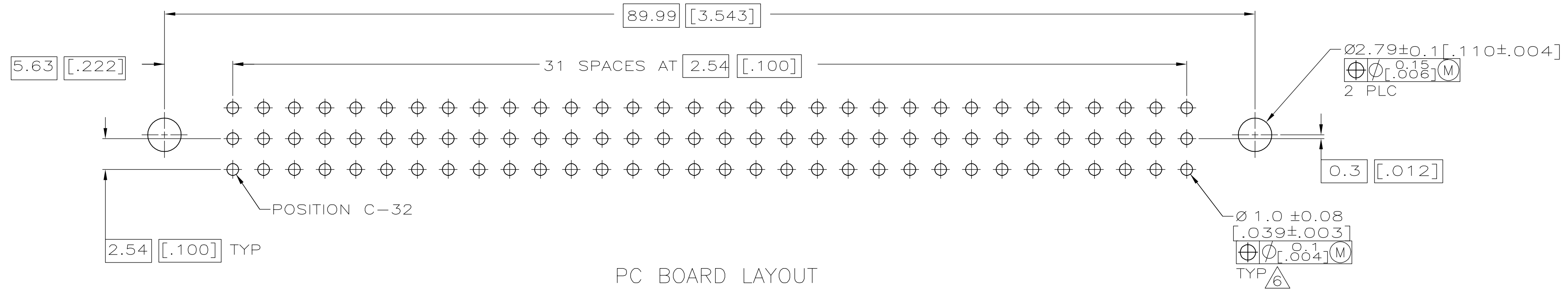
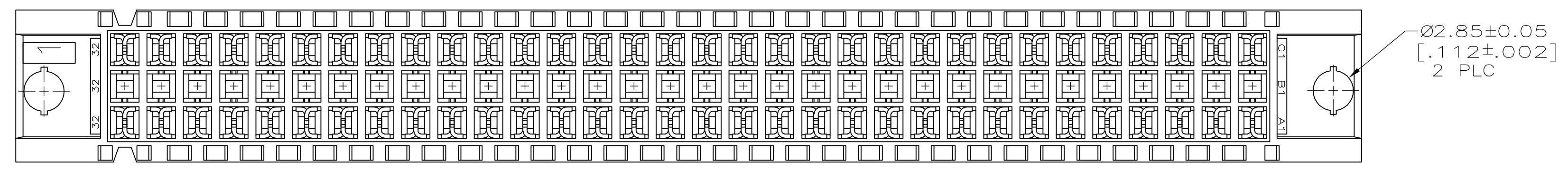
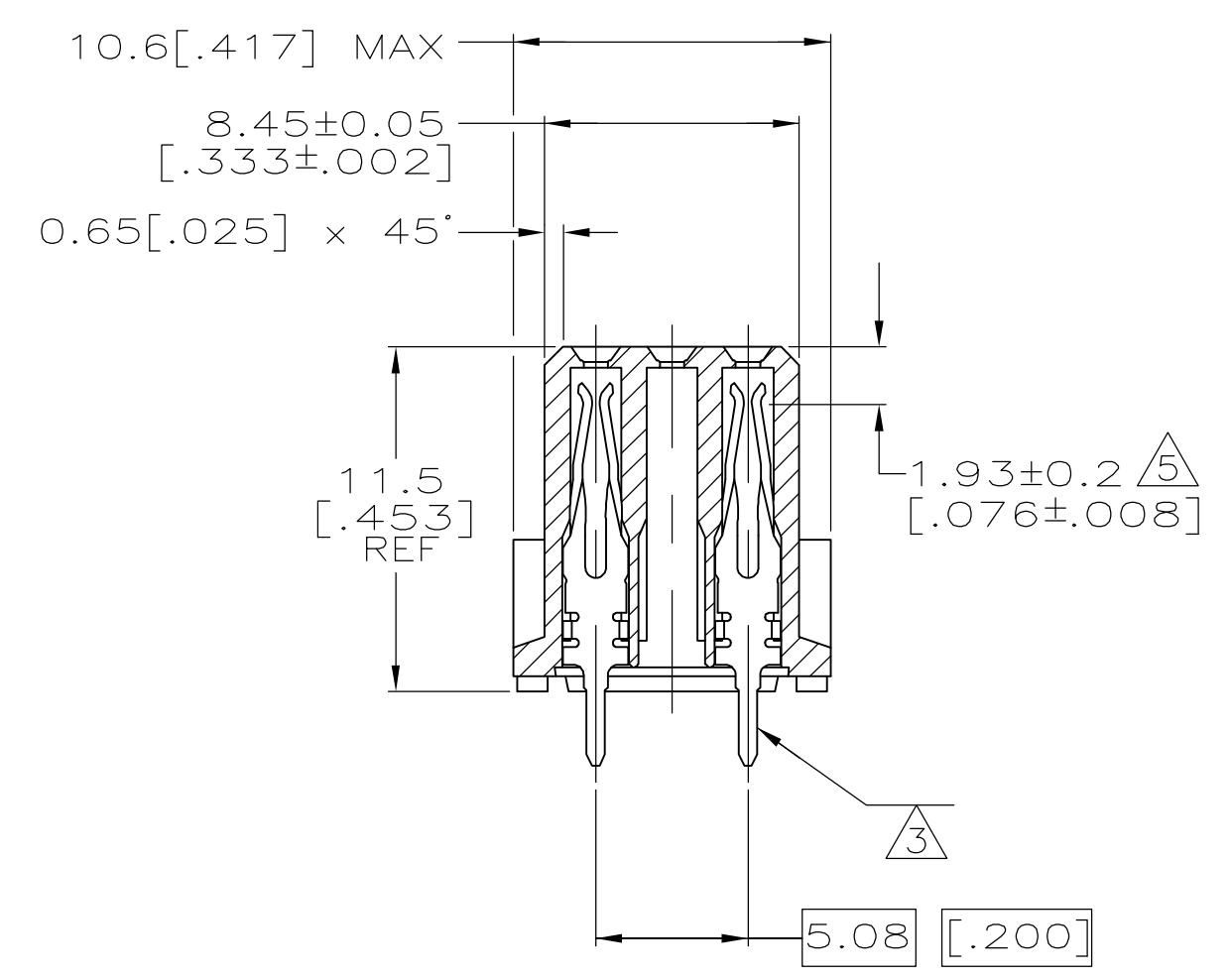
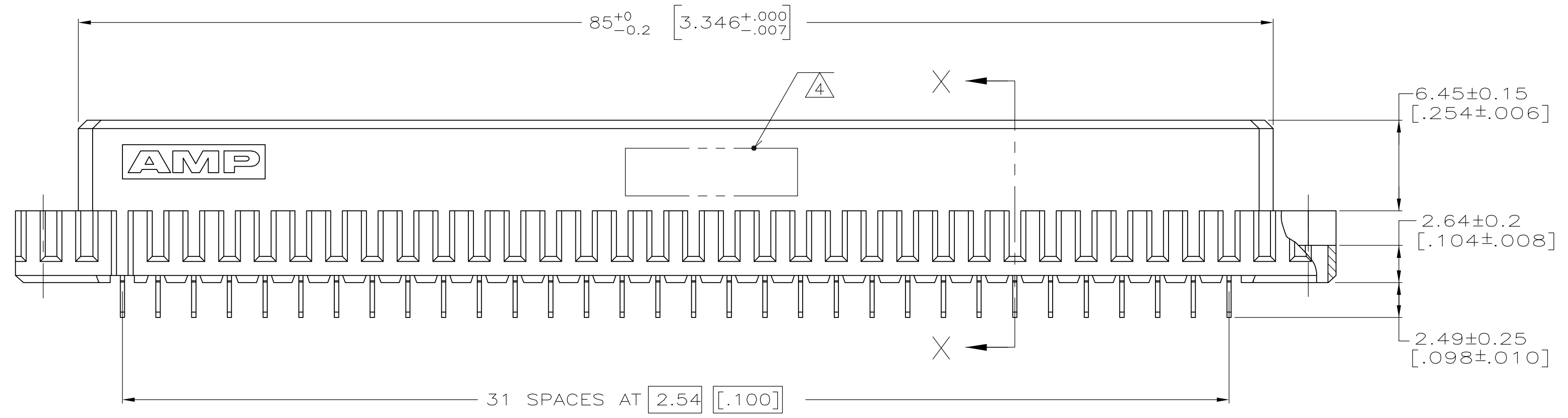


- ① HOUSING MATERIAL: GLASS-FILLED POLYMER.
- ② CONTACT MATERIAL: COPPER ALLOY.
- ③ CONTACT FINISH: DIN 41612 CLASS 2 IN CONTACT AREA. TIN PLATE ON POSTS
- ④ PART NUMBER, DATE CODE IDENTIFICATION, CSA LOGO IN THIS APPROXIMATE AREA ON REVERSE SIDE.
- ⑤ CONTACT POINT.
- ⑥ RECOMMENDED HOLE SIZE FOR MANUAL APPLICATION OF CONNECTOR ONTO PC BOARD.



SECTION X-X

PC BOARD LAYOUT

1 THRU 32	X	-	X	64	5650458-5
POSITIONS LOADED	C	B	A	NO. OF LOADED POSITIONS	ASSY PART NUMBER
				ROWS LOADED	

THIS DRAWING IS A CONTROLLED DOCUMENT.

DIMENSIONS: mm [INCHES]	TOLERANCES UNLESS OTHERWISE SPECIFIED:	DWN: POLIGNONE	27MAY05	tyco Electronics	Tyco Electronics Corporation Harrisburg, Pa 17105-3608
0 PLC ± -	1 PLC ± -	CHK: A. SHARPE	27MAY05	NAME: A. SHARPE	ASSEMBLY, RECEPTACLE, EUROCARD, TYPE C, LEAD-FREE, A and C, 64/96 POSITION, 2.49 [.098] SOLDER POSTS,
2 PLC ± 0.15 [.005]	3 PLC ± -	APP: A. SHARPE	27MAY05	PRODUCT SPEC: -	SIZE: A1
4 PLC ± -	ANGLES ± -	APPLICATION SPEC: -		RESTRICTED TO: -	SCALE: 4:1
MATERIAL: ①②	FINISH: ③	WEIGHT: -	A1	CAGE CODE: 00779	DRAWING NO: 5650458
		CUSTOMER DRAWING			SHEET 1 OF 1