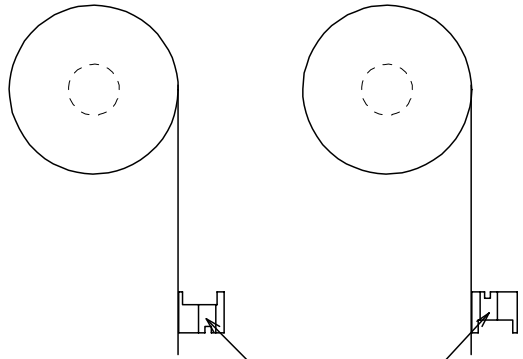


10 9 8 7 6 5 4 3 2 1

REELING OPTION A

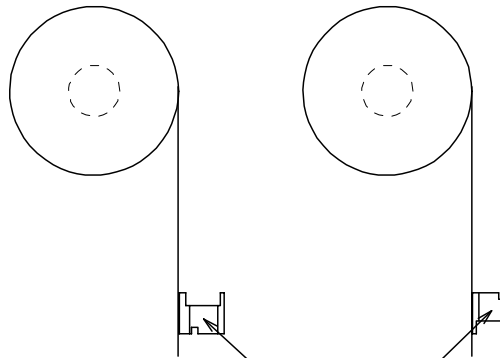
REELING OPTION B



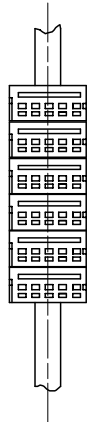
NARROW POLARISING SLOT

REELING OPTION C

REELING OPTION D



WIDE POLARISING SLOT



REEL ASSY NO.	PART NO.	CCT SIZE	REELING OPTION
90327- *351	90327- *304	4	A
↑ *352	↑	↑	B
↓ *353	↓	↓	C
90327- *354	90327- *304	4	D
90327- *355	90327- *306	6	A
↑ *356	↑	↑	B
↓ *357	↓	↓	C
90327- *358	90327- *306	6	D
90327- *359	90327- *308	8	A
↑ *360	↑	↑	B
↓ *361	↓	↓	C
90327- *362	90327- *308	8	D
90327- *363	90327- *310	10	A
↑ *364	↑	↑	B
↓ *365	↓	↓	C
90327- *366	90327- *310	10	D
90327- *367	90327- *312	12	A
↑ *368	↑	↑	B
↓ *369	↓	↓	C
90327- *370	90327- *312	12	D
90327- *371	90327- *314	14	A
↑ *372	↑	↑	B
↓ *373	↓	↓	C
90327- *374	90327- *314	14	D

REEL ASSY NO.	PART NO.	CCT SIZE	REELING OPTION
90327- *375	90327- *316	16	A
↑ *376	↑	↑	B
↓ *377	↓	↓	C
90327- *378	90327- *316	16	D
90327- *379	90327- *318	18	A
↑ *380	↑	↑	B
↓ *381	↓	↓	C
90327- *382	90327- *318	18	D
90327- *383	90327- *320	20	A
↑ *384	↑	↑	B
↓ *385	↓	↓	C
90327- *386	90327- *320	20	D
90327- *387	90327- *326	26	A
↑ *388	↑	↑	B
↓ *389	↓	↓	C
90327- *390	90327- *326	26	D
90327- *391	90327- *322	22	A
↑ *392	↑	↑	B
↓ *393	↓	↓	C
90327- *394	90327- *322	22	D
90327- *395	90327- *324	24	A
↑ *396	↑	↑	B
↓ *397	↓	↓	C
90327- *398	90327- *324	24	D

REVISION UPDATE	DESCRIPTION
EC NO: E2007-0940	
DRWN:DMASZKI/EMI/CZ 2007/06/07	
CHKD:DMORJARTY 2007/06/11	
APPR: JDENNEHY 2007/06/14	
AE	REV

QUALITY SYMBOLS	DESCRIPTION
▽=0	
▽C=0	

GENERAL TOLERANCES (UNLESS SPECIFIED)	
mm	INCH
4 PLACES ± ---	± ---
3 PLACES ± ---	± ---
2 PLACES ± ---	± ---
1 PLACE ± ---	± ---
ANGULAR ± 2 °	
DRAFT WHERE APPLICABLE MUST REMAIN WITHIN DIMENSIONS	

DIMENSION STYLE	
MM/IN	
DRAWN BY	DATE
PAD	1991/02/27
CHECKED BY	DATE
DMORJARTY	2004/09/15
APPROVED BY	DATE
JDENNEHY	2004/09/16
MATERIAL NO.	
SEE CHART	

SCALE	DESIGN UNITS	THIRD ANGLE PROJECTION
NTS	METRIC	
IDT ASSEMBLY PICOFLEX		
MOLEX INCORPORATED		
DOCUMENT NO.	SHEET NO.	
SDA-90327	2 OF 2	
THIS DRAWING CONTAINS INFORMATION THAT IS PROPRIETARY TO MOLEX INCORPORATED AND SHOULD NOT BE USED WITHOUT WRITTEN PERMISSION		

9 8 7 6 5 4 3 2 1