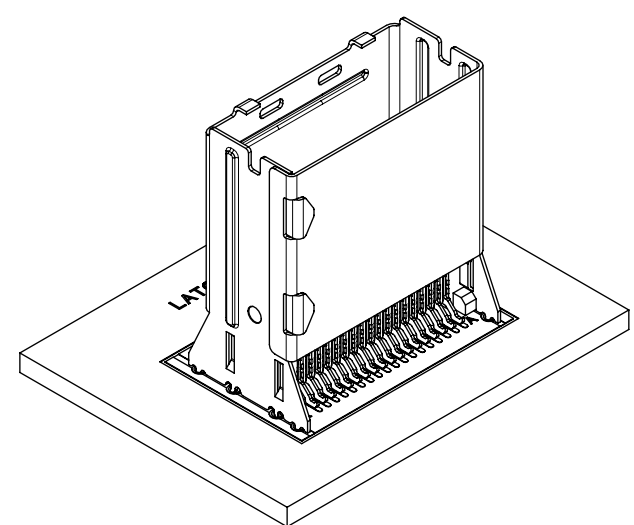
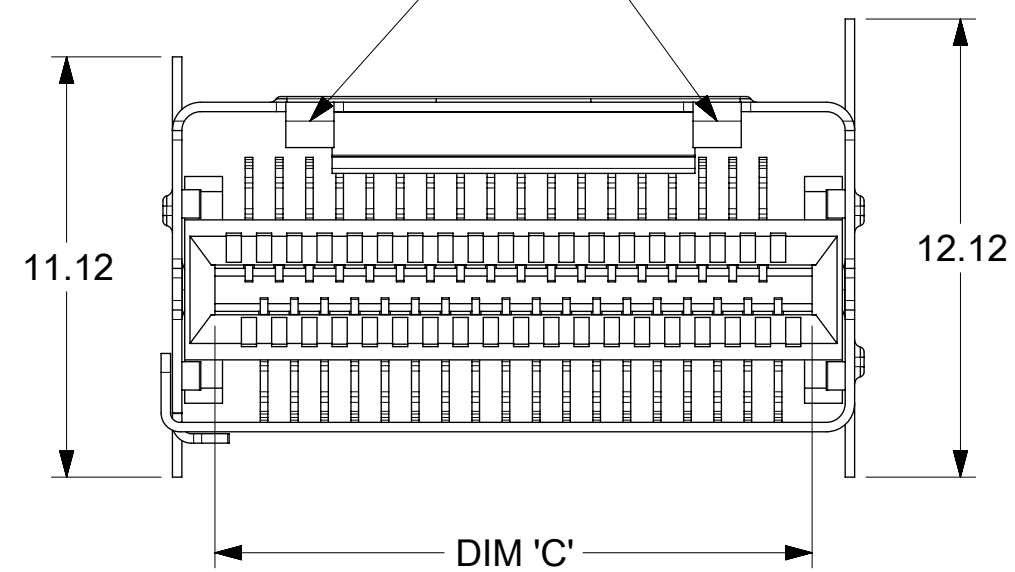


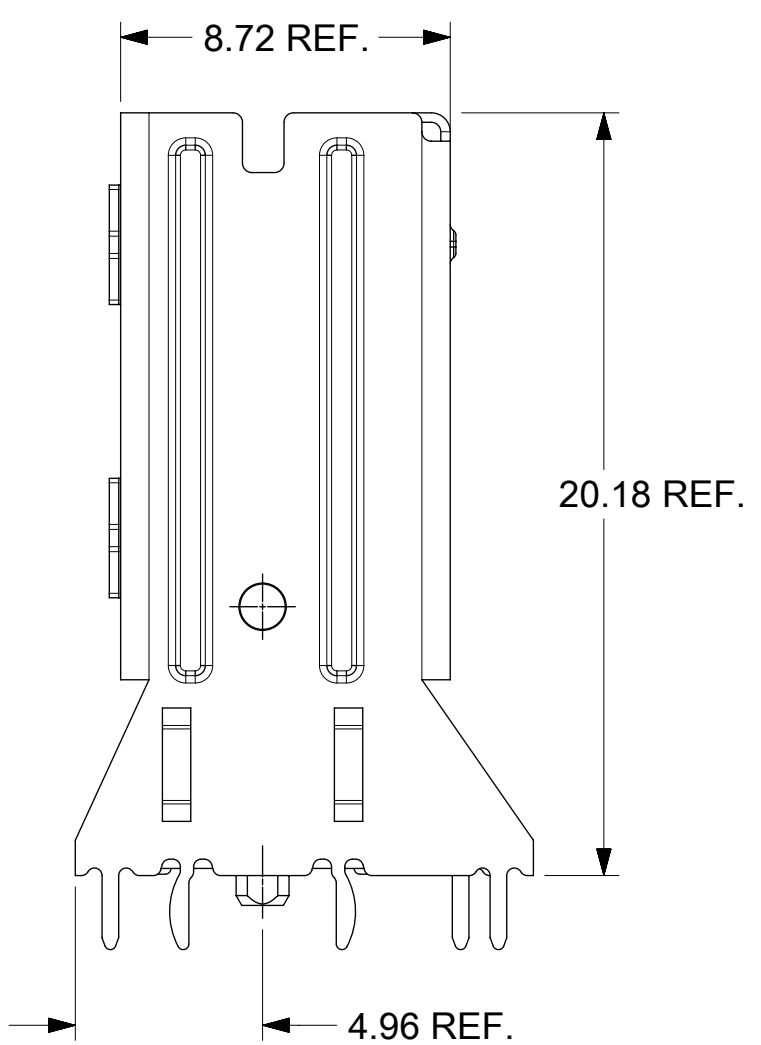
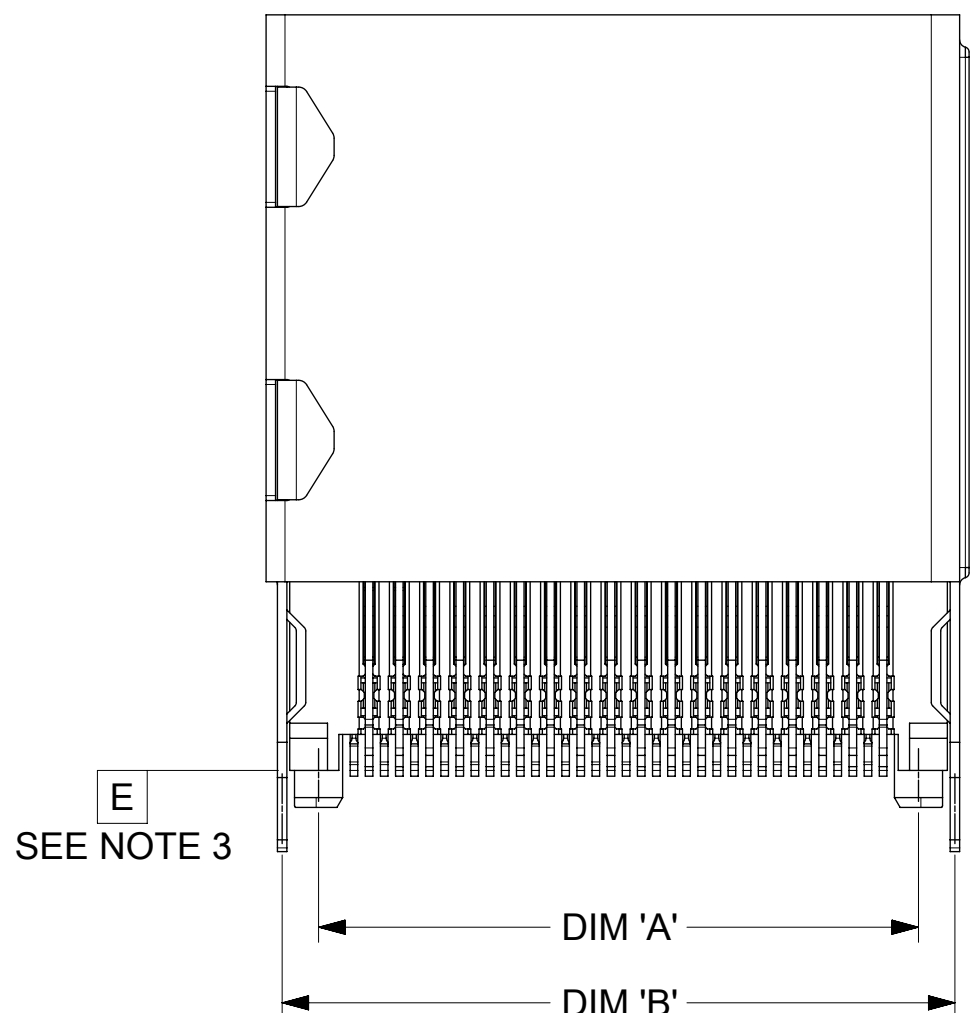
SMT

KEY LOCATIONS

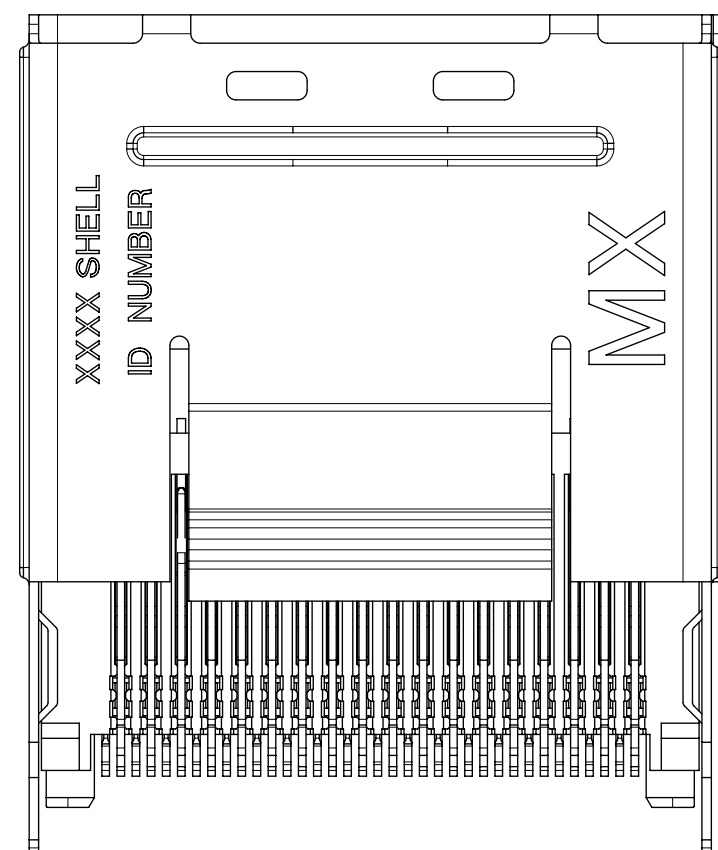


NOTES:

1. MATERIAL:  
CONNECTOR:  
HOUSING - HIGH TEMPERATURE THERMOPLASTIC GLASS FILLED, UL 94V-0, BLACK  
TERMINALS - COPPER ALLOY  
SHELL  
NICKEL SILVER, C770, THICKNESS: 0.250/0.254
2. FINISH:  
CONNECTOR  
OPTION 1  
CONTACT AREA - 0.38µm MIN GOLD OVER 2.54 µm NICKEL  
SOLDER FOOT AREA - 2.54-5.09µm TIN OVER 1.27 µm NICKEL  
OPTION 2  
CONTACT AREA - 0.76µm MIN GOLD OVER 2.54 µm NICKEL  
SOLDER FOOT AREA - 2.54-5.09µm TIN OVER 1.27 µm NICKEL
3. TERMINAL SOLDER FEET TO BE COPLANAR WITHIN 0.10 MEASURED FROM DATUM E
4. DATE CODE: 4 DIGIT (3 DIGIT DAY, 1 DIGIT YEAR) ON CONNECTOR ONLY
5. CIRCUIT IDENTIFIER: SEE APPROPRIATE INDUSTRY SPECIFICATION FOR LOCATION OF PIN 1
6. TO BE USED WITH THE FOLLOWING CABLE SERIES:  
79575/74563/79576/74573/79536/74562/74569/74586
7. PACKAGED PER PACKAGING SPECIFICATION: PK-75783-001
8. CONFORMS TO PRODUCT SPECIFICATION: PS-75783-001
9. PROCESS PER APPLICATION SPECIFICATION: AS-75783-001
10. THIS PART CONFORMS TO CLASS C REQUIREMENTS OF COSMETIC SPEC PS-45499-002



36 CIRCUIT RETENTION FIT SHELL OPTION SHOWN



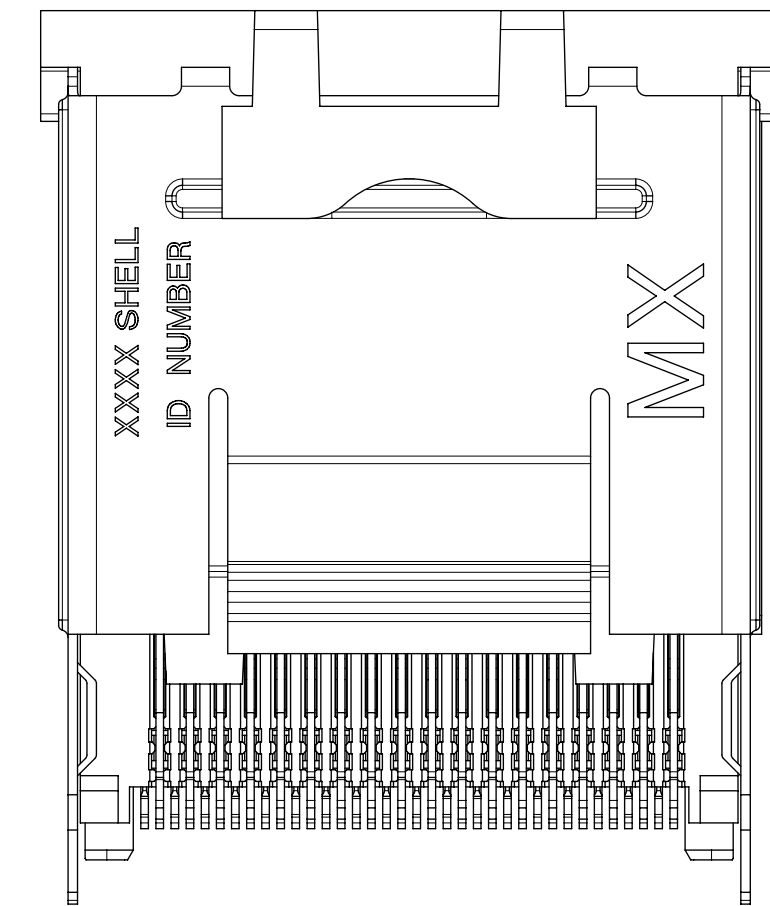
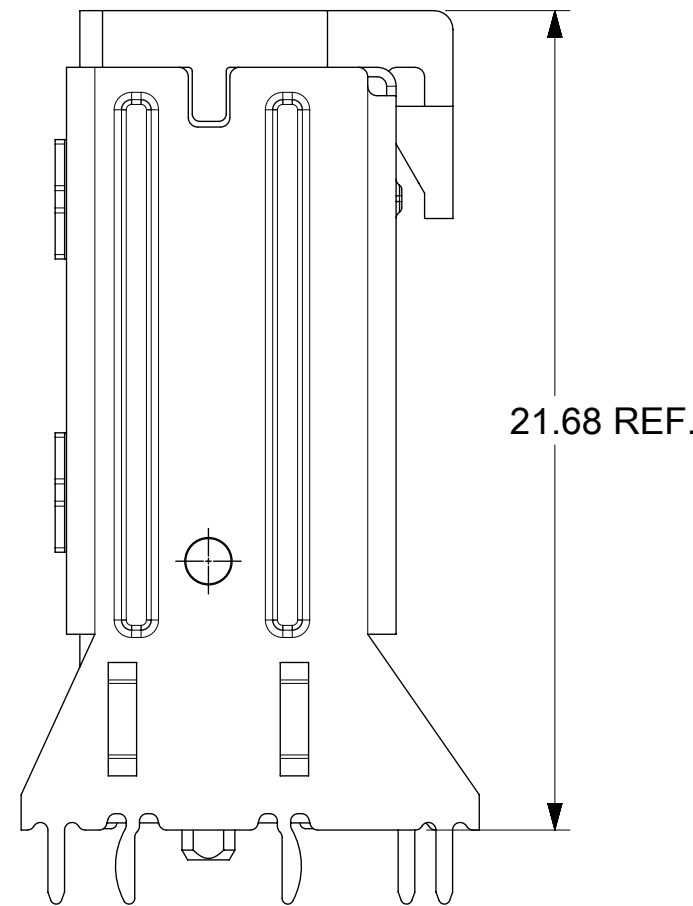
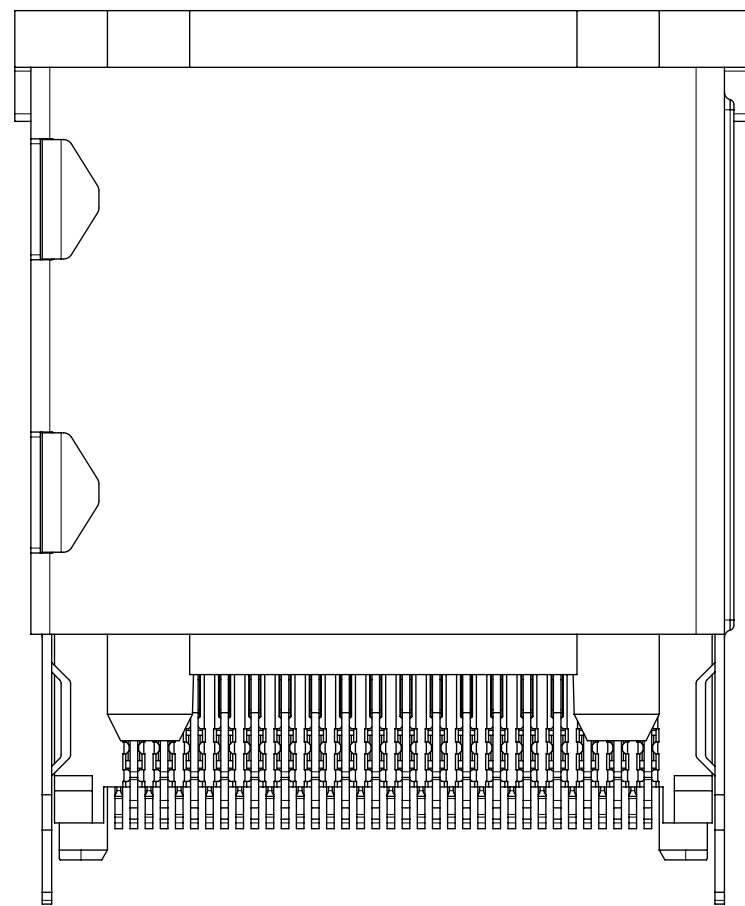
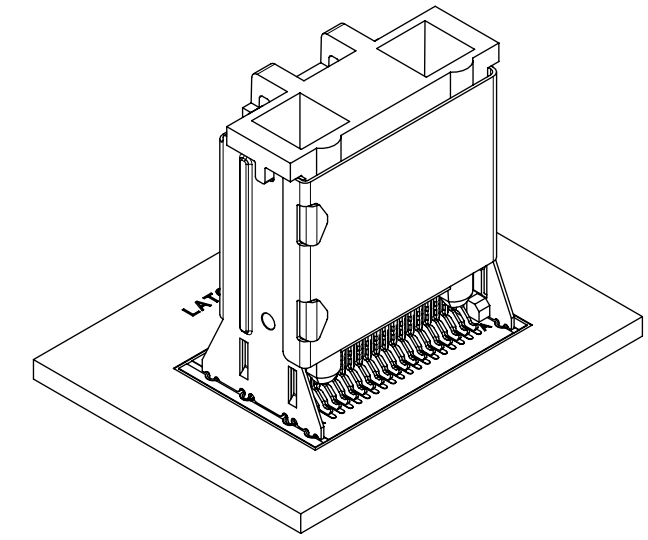
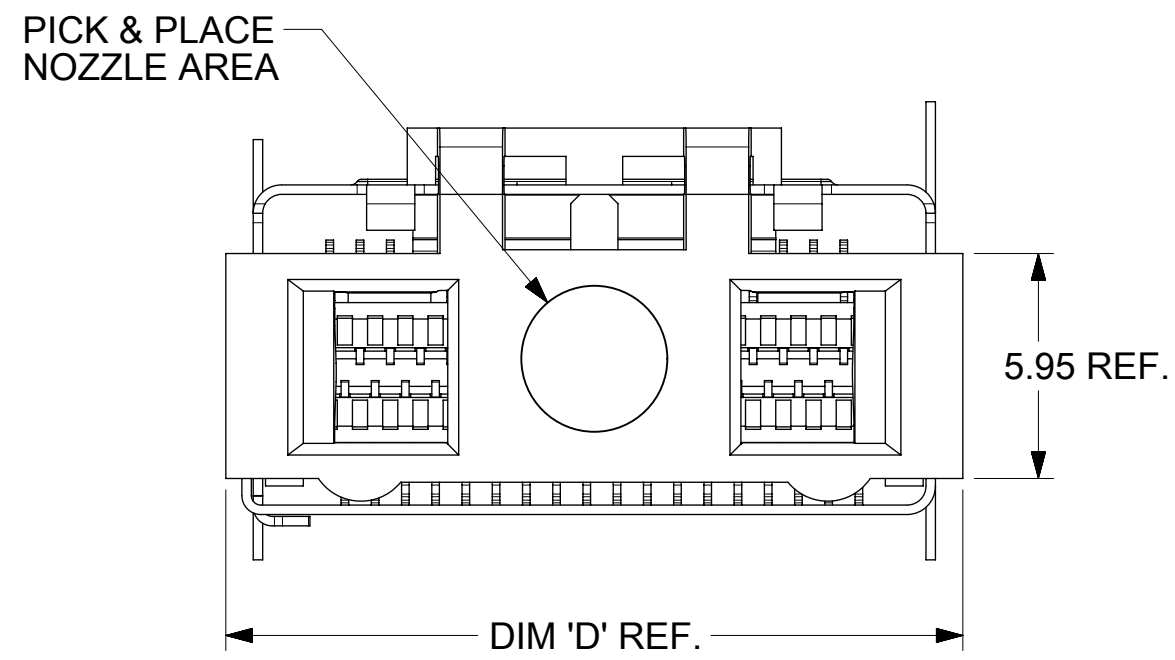
iPass™ IS A TRADEMARK OF MOLEX

CIRCUIT SIZE	DIM 'A'	DIM 'B'	DIM 'C'
26	12.00	13.80	11.80
36	16.00	17.80	15.80
50	21.60	23.40	21.40
68	28.80	30.60	28.60

THIS DRAWING CONTAINS INFORMATION THAT IS PROPRIETARY TO MOLEX ELECTRONIC TECHNOLOGIES, LLC AND SHOULD NOT BE USED WITHOUT WRITTEN PERMISSION													
DIMENSION UNITS <b>mm</b>		SCALE <b>5:1</b>		CURRENT REV DESC: OBSOLETE PART NUMBER AS PER PCN#510579									
GENERAL TOLERANCES (UNLESS SPECIFIED)				EC NO: 675088									
ANGULAR TOL ± 0.5°				4 PLACES ±		DRWN: SUGEEB		2021/08/03		PRODUCT CUSTOMER DRAWING			
				3 PLACES ±		CHK'D: GGA		2021/09/08					
				2 PLACES ± 0.13		APPR: GGA		2021/09/08		DOCUMENT NUMBER <b>SD-75784-001</b>			
				1 PLACE ± 0.25		INITIAL REVISION:		2005/04/15				DOC TYPE PSD	DOC PART 001
				0 PLACES ±		APPR: RNELSON		2005/04/18		MATERIAL NUMBER SEE TABLE	CUSTOMER GENERAL MARKET		SHEET NUMBER 1 OF 13
DRAFT WHERE APPLICABLE MUST REMAIN WITHIN DIMENSIONS				THIRD ANGLE PROJECTION 		DRAWING <b>C-SIZE</b>		SERIES <b>75784</b>					

DOCUMENT STATUS	P1	RELEASE DATE	2021/09/08	12:08:25
-----------------	----	--------------	------------	----------

# ASSEMBLY WITH PRE-POSITIONING DEVICE



36 CIRCUIT RETENTION FIT SHOWN

**NOTES:**

1. PICK AND PLACE LOCATION DEFINED ON APPLICATION SPECIFICATION AS-75783-001
2. PACKAGING CONSISTS OF CONNECTOR AND SHELL WITH A PRE-POSITIONING PICK AND PLACE DEVICE THAT ARE PACKAGED IN "TAPE AND REEL" FOR ROBOTIC PICK AND PLACE.

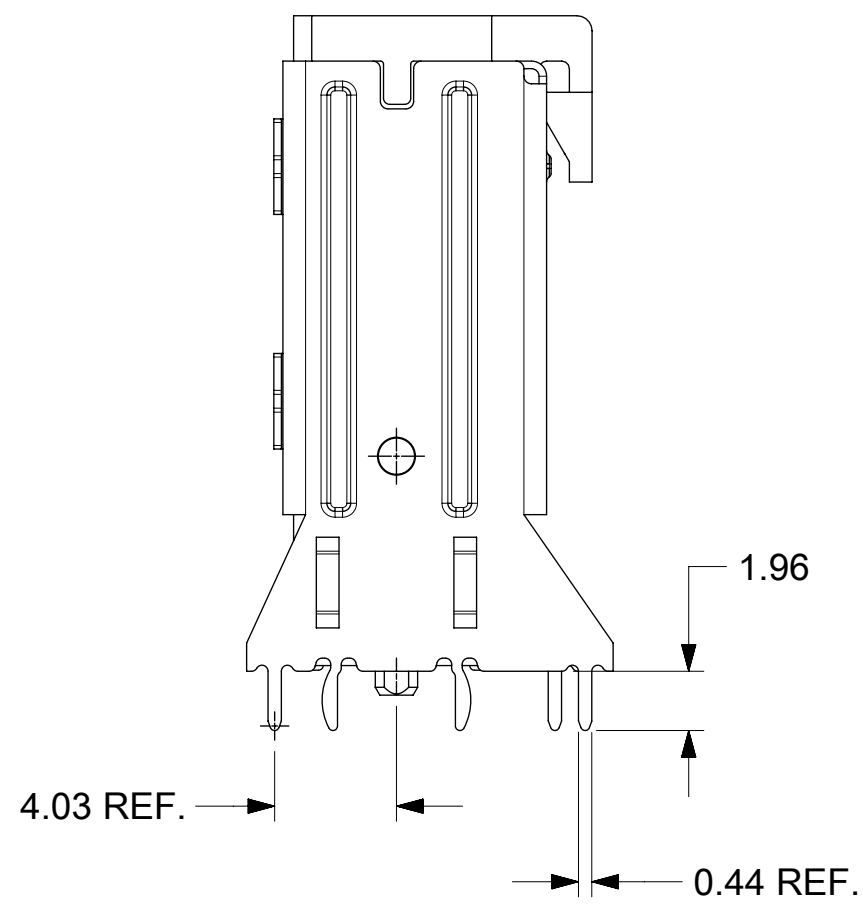
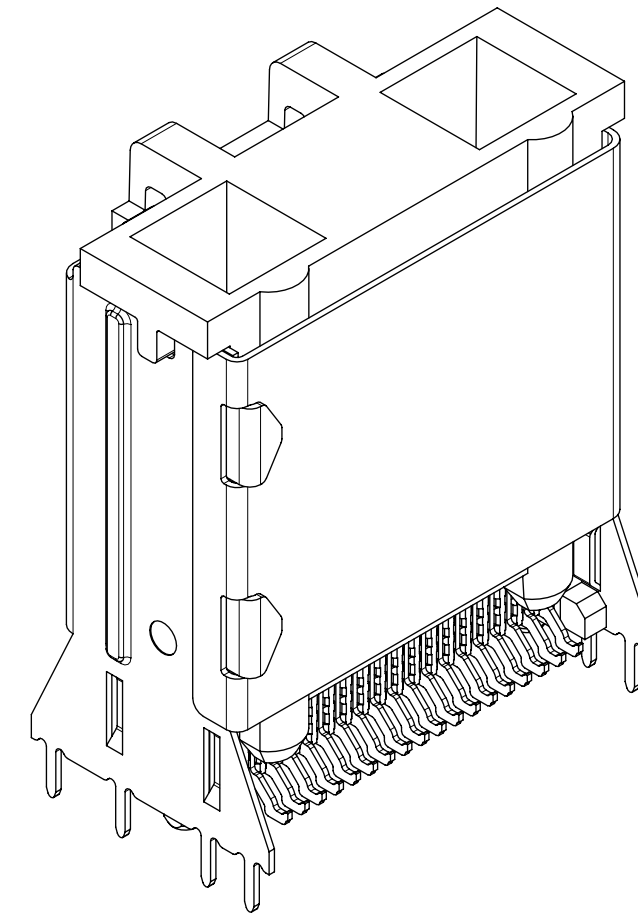
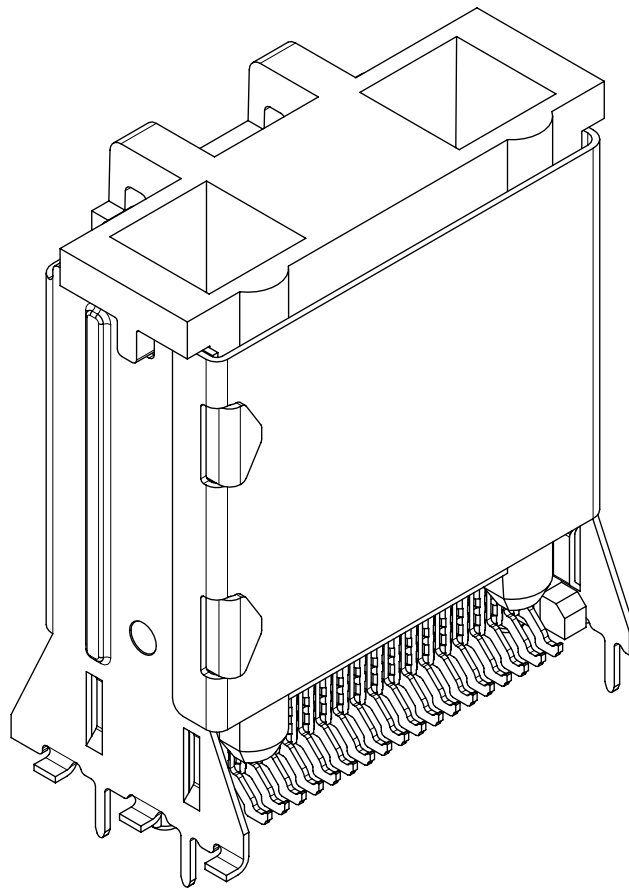
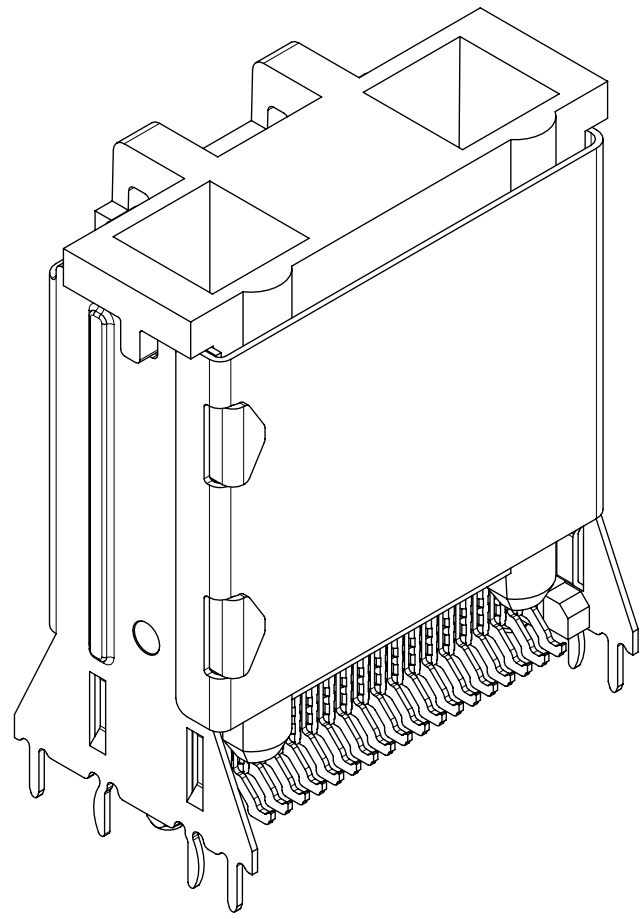
iPass™ IS A TRADEMARK OF MOLEX

CIRCUIT SIZE	DIM 'D'
26	15.50
36	19.50
50	25.10
68	32.30

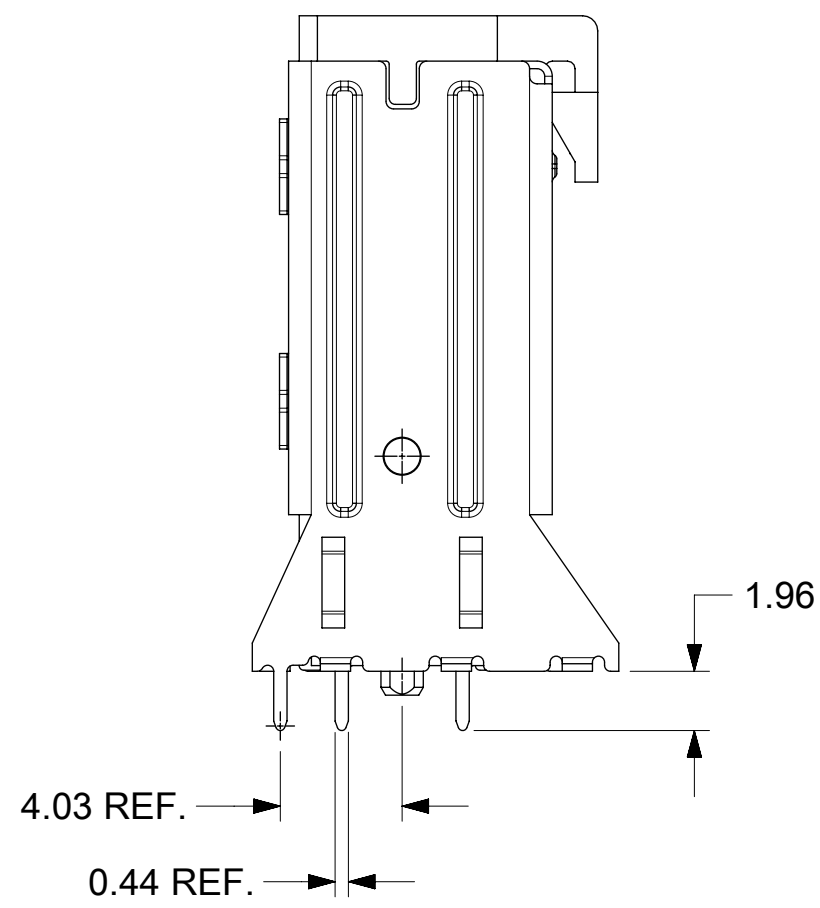
THIS DRAWING CONTAINS INFORMATION THAT IS PROPRIETARY TO MOLEX ELECTRONIC TECHNOLOGIES, LLC AND SHOULD NOT BE USED WITHOUT WRITTEN PERMISSION											
DIMENSION UNITS		SCALE		CURRENT REV DESC: OBSOLETE PART NUMBER AS PER PCN#510579							
mm		5:1									
GENERAL TOLERANCES (UNLESS SPECIFIED)				EC NO: 675088							
ANGULAR TOL ± 0.5°				4 PLACES ±		DRWN: SUGEEB		2021/08/03		PRODUCT CUSTOMER DRAWING	
				3 PLACES ±		CHK'D: GGA		2021/09/08			
				2 PLACES ± 0.13		APPR: GGA		2021/09/08		DOCUMENT NUMBER	
				1 PLACE ± 0.25		INITIAL REVISION:		2005/04/15			
				0 PLACES ±		DRWN: KLANG		2005/04/18		DOC TYPE   DOC PART   REVISION	
				APPR: RNELSON							
DRAFT WHERE APPLICABLE MUST REMAIN WITHIN DIMENSIONS				THIRD ANGLE PROJECTION		DRAWING		SERIES		MATERIAL NUMBER	
						C-SIZE		75784		CUSTOMER	
										GENERAL MARKET	
										SHEET NUMBER	
										2 OF 13	

DOCUMENT STATUS	P1	RELEASE DATE	2021/09/08	12:08:25
-----------------	----	--------------	------------	----------

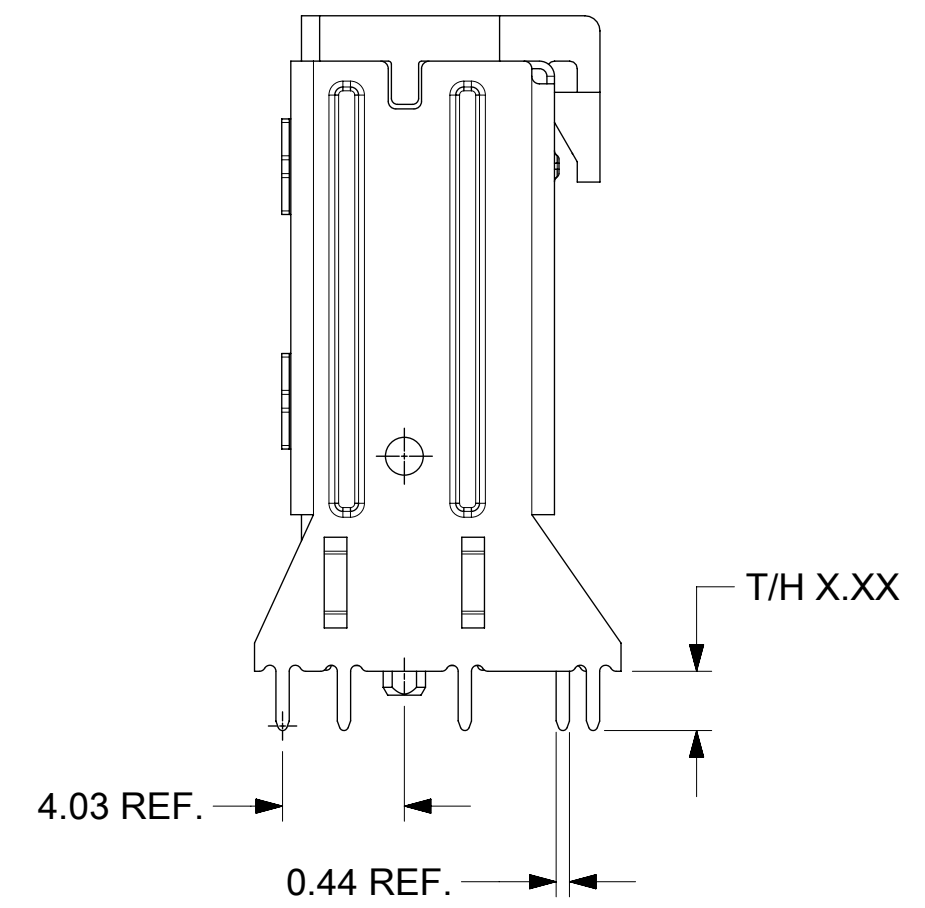
# SHELL PCB INTERFACE



**RETENTION-FIT  
SHELL OPTION**



**SMT SHELL OPTION**



**THRU-HOLE SHELL OPTION  
SEE TABLE FOR LENGTH  
(X.XX DENOTES LENGTH)**

**RECOMMENDED PCB THICKNESS  
FOR SPECIFIED TAIL LENGTH**

TAIL LENGTH	PCB THICKNESS
1.96	1.57 (.062)
2.79	2.36 (.093)
3.18	2.79 (.110)
3.56	3.18 (.125)

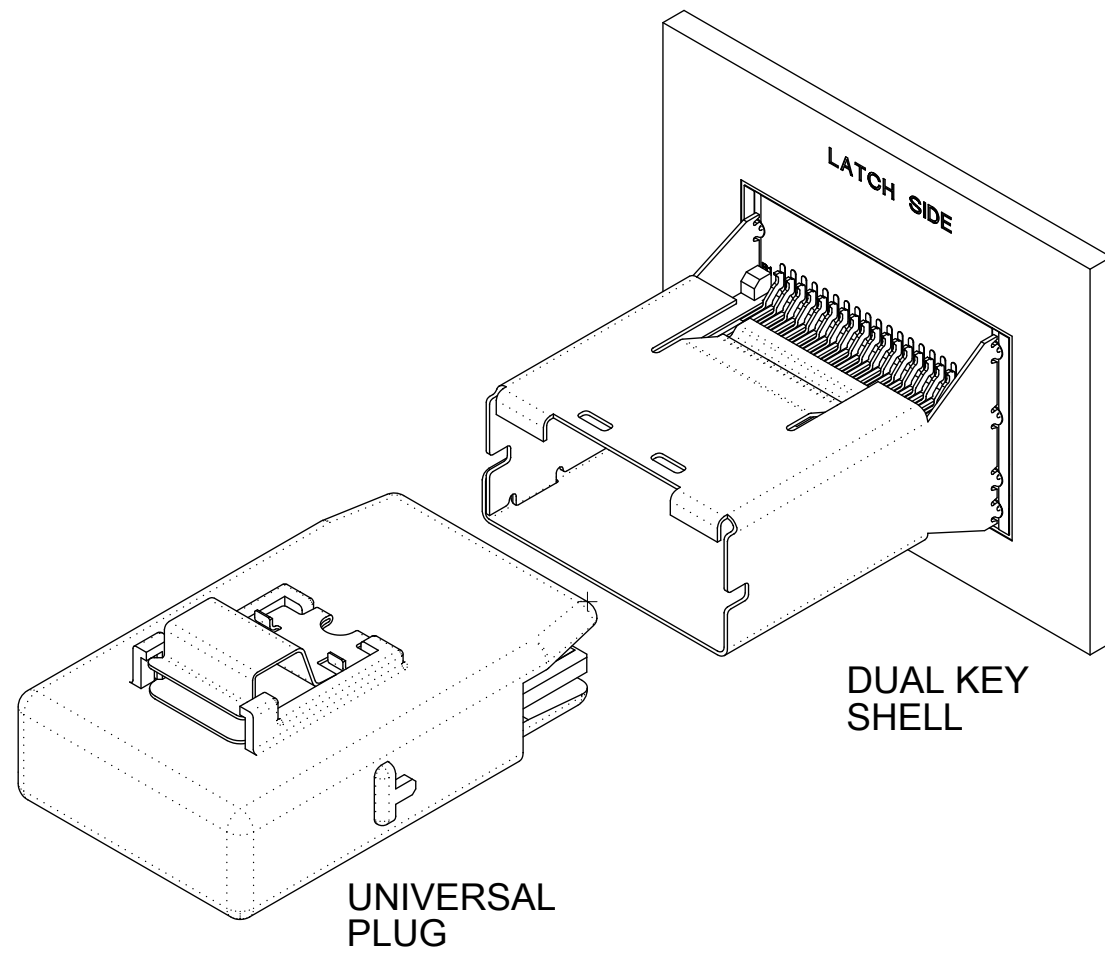
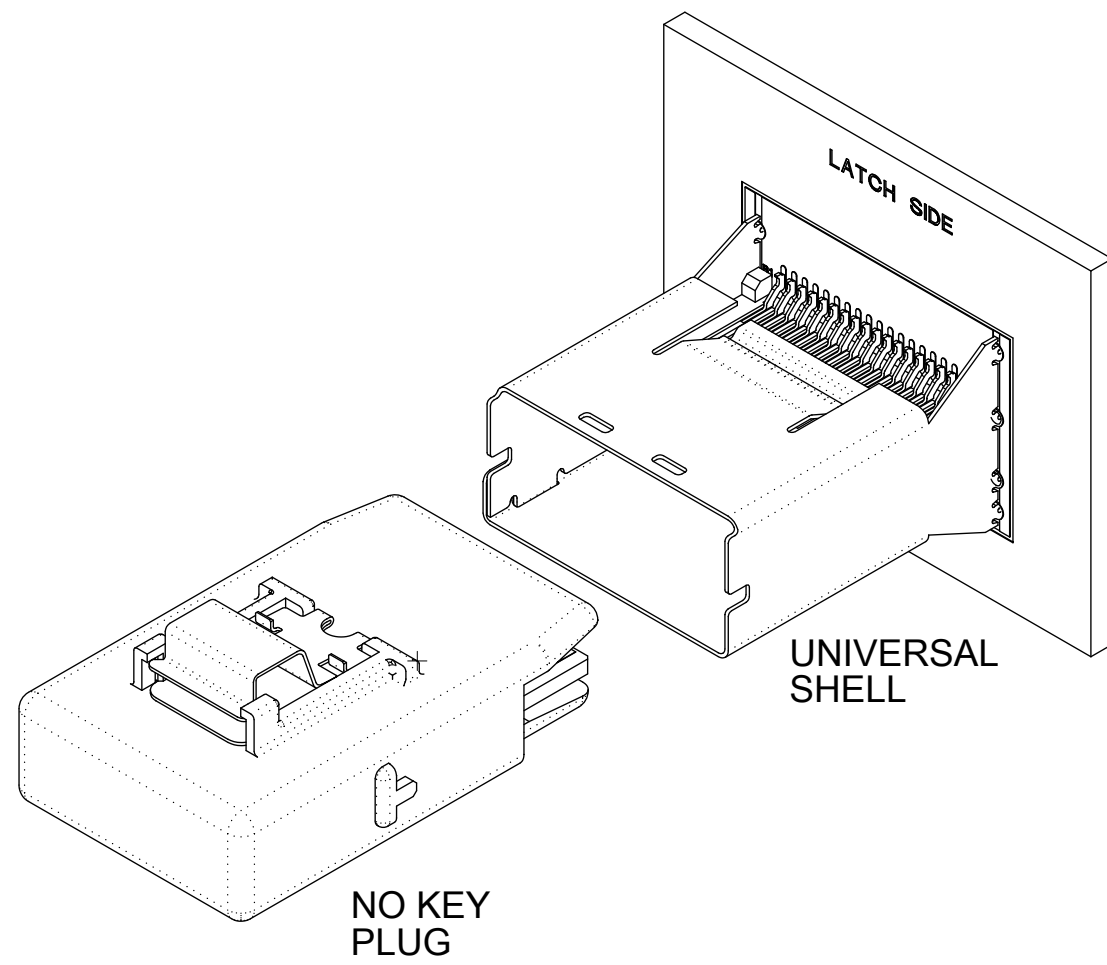
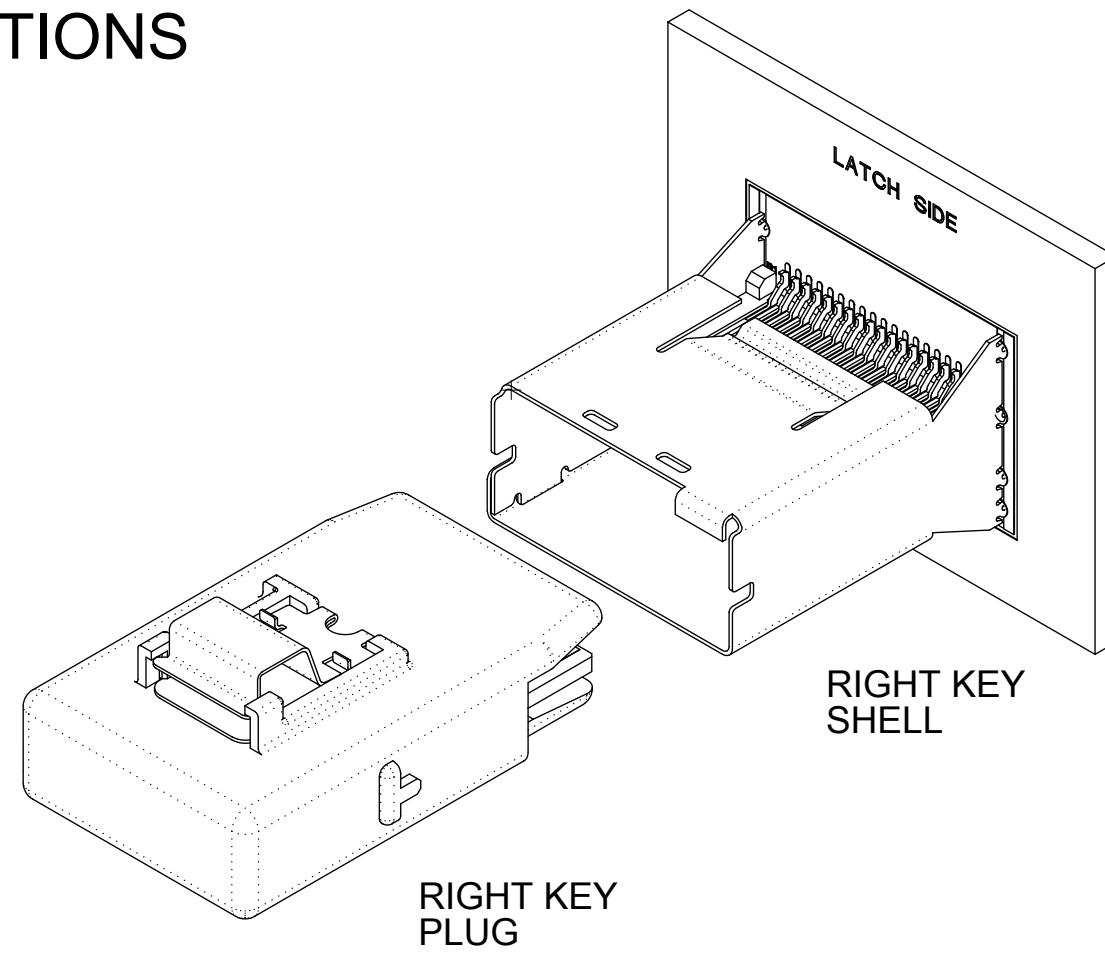
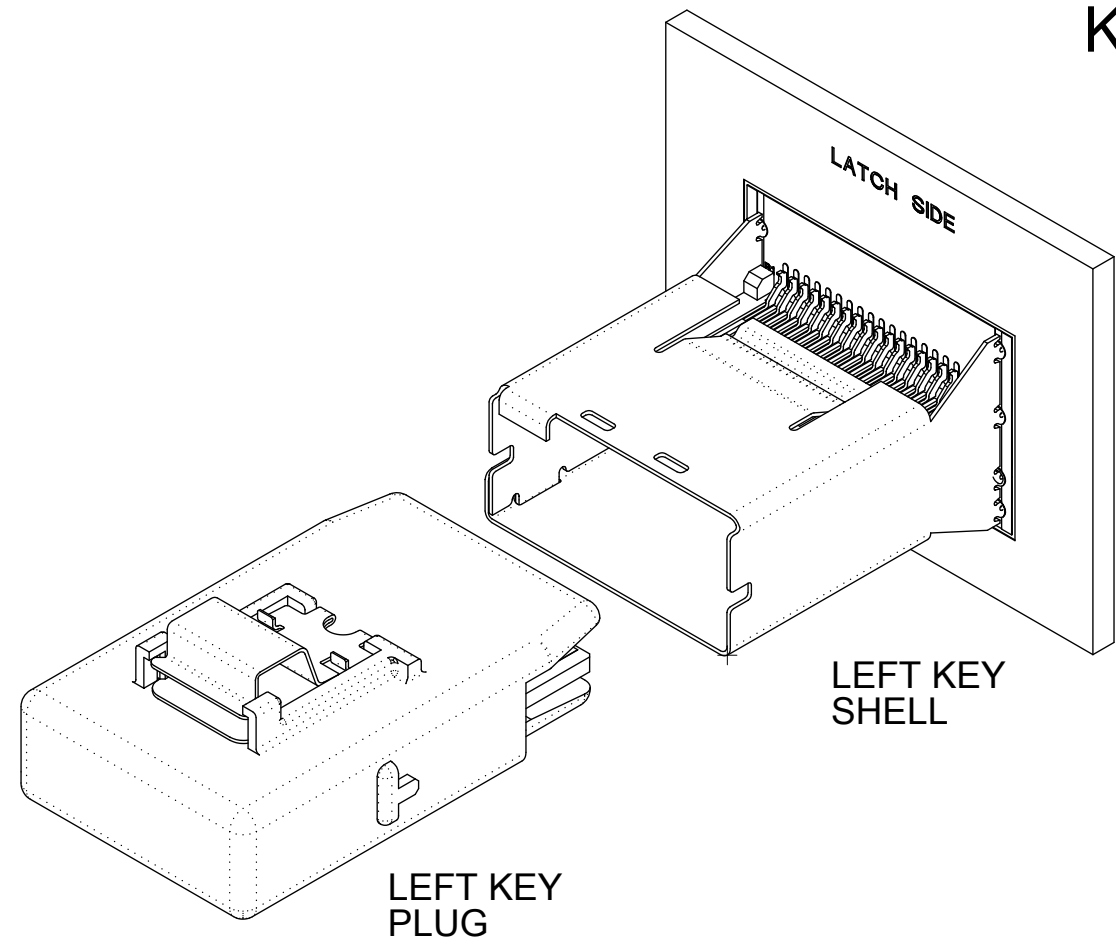
**NOTE:**  
 RETENTION FIT DENOTES TAILS THAT OFFER RETENTION TO PCB DURING REFLOW PROCESS  
 SMT DENOTES SURFACE MOUNT TERMINATION  
 T/H X.XX DENOTES THRU-HOLE TAIL OF LENGTH X.XX

iPass™ IS A TRADEMARK OF MOLEX

THIS DRAWING CONTAINS INFORMATION THAT IS PROPRIETARY TO MOLEX ELECTRONIC TECHNOLOGIES, LLC AND SHOULD NOT BE USED WITHOUT WRITTEN PERMISSION		CURRENT REV DESC: OBSOLETE PART NUMBER AS PER PCN#510579			
DIMENSION UNITS	SCALE	EC NO: 675088			
mm	4:1	DRWN: SUGEEB 2021/08/03		I-PASS VERT CONNECTOR INTERNAL ASSY W/SHELL 0.8MM PITCH I/O	
GENERAL TOLERANCES (UNLESS SPECIFIED)		CHK'D: GGA 2021/09/08			
ANGULAR TOL	± 0.5°	APPR: GGA 2021/09/08		PRODUCT CUSTOMER DRAWING	
4 PLACES	±	INITIAL REVISION:		DOCUMENT NUMBER	
3 PLACES	±	DRWN: KLANG 2005/04/15		SD-75784-001	
2 PLACES	± 0.13	APPR: RNELSON 2005/04/18		DOC TYPE	DOC PART
1 PLACE	± 0.25	THIRD ANGLE PROJECTION		PSD	001
0 PLACES	±	DRAWING		REVISION	
DRAFT WHERE APPLICABLE MUST REMAIN WITHIN DIMENSIONS		SERIES		SHEET NUMBER	
		C-SIZE	75784	MATERIAL NUMBER	CUSTOMER
				SEE TABLE	GENERAL MARKET
				3 OF 13	

DOCUMENT STATUS	P1	RELEASE DATE	2021/09/08 12:08:25
-----------------	----	--------------	---------------------

# KEYING OPTIONS



	UNIVERSAL SHELL	LEFT KEY SHELL	RIGHT KEY SHELL	DUAL KEY SHELL
NO KEY PLUG	YES	NO	NO	NO
LEFT KEY PLUG	YES	YES	NO	NO
RIGHT KEY PLUG	YES	NO	YES	NO
UNIVERSAL PLUG	YES	YES	YES	YES

iPass™ IS A TRADEMARK OF MOLEX

THIS DRAWING CONTAINS INFORMATION THAT IS PROPRIETARY TO MOLEX ELECTRONIC TECHNOLOGIES, LLC AND SHOULD NOT BE USED WITHOUT WRITTEN PERMISSION			
DIMENSION UNITS <b>mm</b>	SCALE <b>2:1</b>	CURRENT REV DESC: OBSOLETE PART NUMBER AS PER PCN#510579	
GENERAL TOLERANCES (UNLESS SPECIFIED)		<p><b>molex</b></p> <p>I-PASS VERT CONNECTOR INTERNAL ASSY W/SHELL 0.8MM PITCH I/O</p> <p>PRODUCT CUSTOMER DRAWING</p>	
ANGULAR TOL	± 0.5°		
4 PLACES	±		
3 PLACES	±		
2 PLACES	± 0.13	EC NO: 675088	2021/08/03
1 PLACE	± 0.25	DRWN: SUGEEB	2021/09/08
0 PLACES	±	CHK'D: GGA	2021/09/08
DRAFT WHERE APPLICABLE MUST REMAIN WITHIN DIMENSIONS		APPR: GGA	2021/09/08
THIRD ANGLE PROJECTION		INITIAL REVISION:	2005/04/15
DRAWING		DRWN: KLANG	2005/04/18
SERIES		APPR: RNELSON	2005/04/18
C-SIZE		75784	
MATERIAL NUMBER		CUSTOMER	SHEET NUMBER
SEE TABLE		GENERAL MARKET	4 OF 13

# 26 CIRCUIT ITEM NUMBERS

CIRCUIT SIZE	ITEM NUMBER	PLATING OPTION	SHELL PCB OPTION	SHELL KEY OPTION
26	75784-0007	OPTION 1	RETENTION	LEFT
26	75784-0012	OPTION 1	SMT	DUAL
26	75784-0025	OPTION 1	RETENTION	UNIVERSAL
26	75784-0026	OPTION 1	SMT	UNIVERSAL
26	75784-0028	OPTION 2	SMT	UNIVERSAL
26	75784-0032	OPTION 1	T/H 1.96	UNIVERSAL

CIRCUIT SIZE	ITEM NUMBER	PLATING OPTION	SHELL PCB OPTION	SHELL KEY OPTION
26	75784-0037	OPTION 1	T/H 2.79	LEFT
26	75784-0038	OPTION 1	T/H 2.79	RIGHT
26	75784-0039	OPTION 1	T/H 2.79	DUAL
26	75784-0040	OPTION 1	T/H 2.79	UNIVERSAL
26	75784-0041	OPTION 2	T/H 2.79	LEFT
26	75784-0042	OPTION 2	T/H 2.79	RIGHT
26	75784-0043	OPTION 2	T/H 2.79	DUAL
26	75784-0045	OPTION 1	T/H 3.18	LEFT
26	75784-0046	OPTION 1	T/H 3.18	RIGHT
26	75784-0047	OPTION 1	T/H 3.18	DUAL
26	75784-0048	OPTION 1	T/H 3.18	UNIVERSAL
26	75784-0049	OPTION 2	T/H 3.18	LEFT
26	75784-0050	OPTION 2	T/H 3.18	RIGHT
26	75784-0051	OPTION 2	T/H 3.18	DUAL
26	75784-0052	OPTION 2	T/H 3.18	UNIVERSAL

iPass™ IS A TRADEMARK OF MOLEX

THIS DRAWING CONTAINS INFORMATION THAT IS PROPRIETARY TO MOLEX ELECTRONIC TECHNOLOGIES, LLC AND SHOULD NOT BE USED WITHOUT WRITTEN PERMISSION										
DIMENSION UNITS	SCALE	CURRENT REV DESC: OBSOLETE PART NUMBER AS PER PCN#510579				molex				
mm	1:1	EC NO: 675088 DRWN: SUGEEB 2021/08/03 CHK'D: GGA 2021/09/08 APPR: GGA 2021/09/08 INITIAL REVISION: DRWN: KLANG 2005/04/15 APPR: RNELSON 2005/04/18				I-PASS VERT CONNECTOR INTERNAL ASSY W/SHELL 0.8MM PITCH I/O				
GENERAL TOLERANCES (UNLESS SPECIFIED)						PRODUCT CUSTOMER DRAWING				
ANGULAR TOL ± 0.5°						DOCUMENT NUMBER				
4 PLACES ±						SD-75784-001		DOC TYPE	DOC PART	REVISION
3 PLACES ±						PSD	001	D6		
2 PLACES ± 0.13		MATERIAL NUMBER		CUSTOMER		SHEET NUMBER				
1 PLACE ± 0.25		SEE TABLE		GENERAL MARKET		5 OF 13				
0 PLACES ±		DRAWING		SERIES						
DRAFT WHERE APPLICABLE MUST REMAIN WITHIN DIMENSIONS		THIRD ANGLE PROJECTION		C-SIZE	75784					

DOCUMENT STATUS	P1	RELEASE DATE	2021/09/08	12:08:25
-----------------	----	--------------	------------	----------

# 36 CIRCUIT ITEM NUMBERS

CIRCUIT SIZE	ITEM NUMBER	PLATING OPTION	SHELL PCB OPTION	SHELL KEY OPTION
36	75784-0109	OPTION 1	RETENTION	DUAL
36	75784-0110	OPTION 1	SMT	LEFT
36	75784-0111	OPTION 1	SMT	RIGHT
36	75784-0112	OPTION 1	SMT	DUAL
36	75784-0119	OPTION 2	RETENTION	LEFT
36	75784-0120	OPTION 2	RETENTION	RIGHT
36	75784-0121	OPTION 2	RETENTION	DUAL
36	75784-0125	OPTION 1	RETENTION	UNIVERSAL
36	75784-0126	OPTION 1	SMT	UNIVERSAL
36	75784-0127	OPTION 2	RETENTION	UNIVERSAL
36	75784-0131	OPTION 1	T/H 1.96	DUAL
36	75784-0132	OPTION 1	T/H 1.96	UNIVERSAL
36	75784-0136	OPTION 2	T/H 1.96	UNIVERSAL

CIRCUIT SIZE	ITEM NUMBER	PLATING OPTION	SHELL PCB OPTION	SHELL KEY OPTION
36	75784-0137	OPTION 1	T/H 2.79	LEFT
36	75784-0138	OPTION 1	T/H 2.79	RIGHT
36	75784-0139	OPTION 1	T/H 2.79	DUAL
36	75784-0140	OPTION 1	T/H 2.79	UNIVERSAL
36	75784-0141	OPTION 2	T/H 2.79	LEFT
36	75784-0142	OPTION 2	T/H 2.79	RIGHT
36	75784-0143	OPTION 2	T/H 2.79	DUAL
36	75784-0144	OPTION 2	T/H 2.79	UNIVERSAL
36	75784-0147	OPTION 1	T/H 3.18	DUAL
36	75784-0148	OPTION 1	T/H 3.18	UNIVERSAL
36	75784-0150	OPTION 2	T/H 3.18	RIGHT
36	75784-0151	OPTION 2	T/H 3.18	DUAL
36	75784-0152	OPTION 2	T/H 3.18	UNIVERSAL
36	75784-0156	OPTION 1	T/H 3.56	UNIVERSAL
36	75784-0159	OPTION 2	T/H 3.56	DUAL
36	75784-0160	OPTION 2	T/H 3.56	UNIVERSAL

iPass™ IS A TRADEMARK OF MOLEX

THIS DRAWING CONTAINS INFORMATION THAT IS PROPRIETARY TO MOLEX ELECTRONIC TECHNOLOGIES, LLC AND SHOULD NOT BE USED WITHOUT WRITTEN PERMISSION										
DIMENSION UNITS	SCALE	CURRENT REV DESC: OBSOLETE PART NUMBER AS PER PCN#510579			molex					
mm	1:1	EC NO: 675088 DRWN: SUGEEB 2021/08/03 CHK'D: GGA 2021/09/08 APPR: GGA 2021/09/08 INITIAL REVISION: DRWN: KLANG 2005/04/15 APPR: RNELSON 2005/04/18			I-PASS VERT CONNECTOR INTERNAL ASSY W/SHELL 0.8MM PITCH I/O					
GENERAL TOLERANCES (UNLESS SPECIFIED)					PRODUCT CUSTOMER DRAWING					
ANGULAR TOL ± 0.5°					DOCUMENT NUMBER					
4 PLACES ±					SD-75784-001			DOC TYPE	DOC PART	REVISION
3 PLACES ±					PSD	001	D6			
2 PLACES ± 0.13		MATERIAL NUMBER			CUSTOMER		SHEET NUMBER			
1 PLACE ± 0.25		SEE TABLE			GENERAL MARKET		6 OF 13			
0 PLACES ±		THIRD ANGLE PROJECTION		DRAWING	SERIES					
DRAFT WHERE APPLICABLE MUST REMAIN WITHIN DIMENSIONS				C-SIZE	75784					

DOCUMENT STATUS	P1	RELEASE DATE	2021/09/08	12:08:25
-----------------	----	--------------	------------	----------

# 50 CIRCUIT ITEM NUMBERS

CIRCUIT SIZE	ITEM NUMBER	PLATING OPTION	SHELL PCB OPTION	SHELL KEY OPTION
50	75784-0232	OPTION 1	T/H 1.96	UNIVERSAL

CIRCUIT SIZE	ITEM NUMBER	PLATING OPTION	SHELL PCB OPTION	SHELL KEY OPTION
50	75784-0240	OPTION 1	T/H 2.79	UNIVERSAL
50	75784-0244	OPTION 2	T/H 2.79	UNIVERSAL
50	75784-0252	OPTION 2	T/H 3.18	UNIVERSAL

iPass™ IS A TRADEMARK OF MOLEX

THIS DRAWING CONTAINS INFORMATION THAT IS PROPRIETARY TO MOLEX ELECTRONIC TECHNOLOGIES, LLC AND SHOULD NOT BE USED WITHOUT WRITTEN PERMISSION												
DIMENSION UNITS	SCALE	CURRENT REV DESC: OBSOLETE PART NUMBER AS PER PCN#510579				molex						
mm	1:1	EC NO: 675088 DRWN: SUGEEB 2021/08/03 CHK'D: GGA 2021/09/08 APPR: GGA 2021/09/08 INITIAL REVISION: DRWN: KLANG 2005/04/15 APPR: RNELSON 2005/04/18				I-PASS VERT CONNECTOR INTERNAL ASSY W/SHELL 0.8MM PITCH I/O						
GENERAL TOLERANCES (UNLESS SPECIFIED)						PRODUCT CUSTOMER DRAWING						
ANGULAR TOL ± 0.5°						DOCUMENT NUMBER				DOC TYPE	DOC PART	REVISION
4 PLACES ±						SD-75784-001		PSD	001	D6		
3 PLACES ±												
2 PLACES ± 0.13												
1 PLACE ± 0.25												
0 PLACES ±												
DRAFT WHERE APPLICABLE MUST REMAIN WITHIN DIMENSIONS	THIRD ANGLE PROJECTION	DRAWING	SERIES	MATERIAL NUMBER	CUSTOMER	SHEET NUMBER						
		C-SIZE	75784	SEE TABLE	GENERAL MARKET	7 OF 13						

DOCUMENT STATUS	P1	RELEASE DATE	2021/09/08	12:08:25
-----------------	----	--------------	------------	----------

# 68 CIRCUIT ITEM NUMBERS

CIRCUIT SIZE	ITEM NUMBER	PLATING OPTION	SHELL PCB OPTION	SHELL KEY OPTION
68	75784-0332	OPTION 1	T/H 1.96	UNIVERSAL
68	75784-0336	OPTION 2	T/H 1.96	UNIVERSAL

CIRCUIT SIZE	ITEM NUMBER	PLATING OPTION	SHELL PCB OPTION	SHELL KEY OPTION
68	75784-0338	OPTION 1	T/H 2.79	RIGHT
68	75784-0340	OPTION 1	T/H 2.79	UNIVERSAL
68	75784-0344	OPTION 2	T/H 2.79	UNIVERSAL
68	75784-0348	OPTION 1	T/H 3.18	UNIVERSAL
68	75784-0352	OPTION 2	T/H 3.18	UNIVERSAL

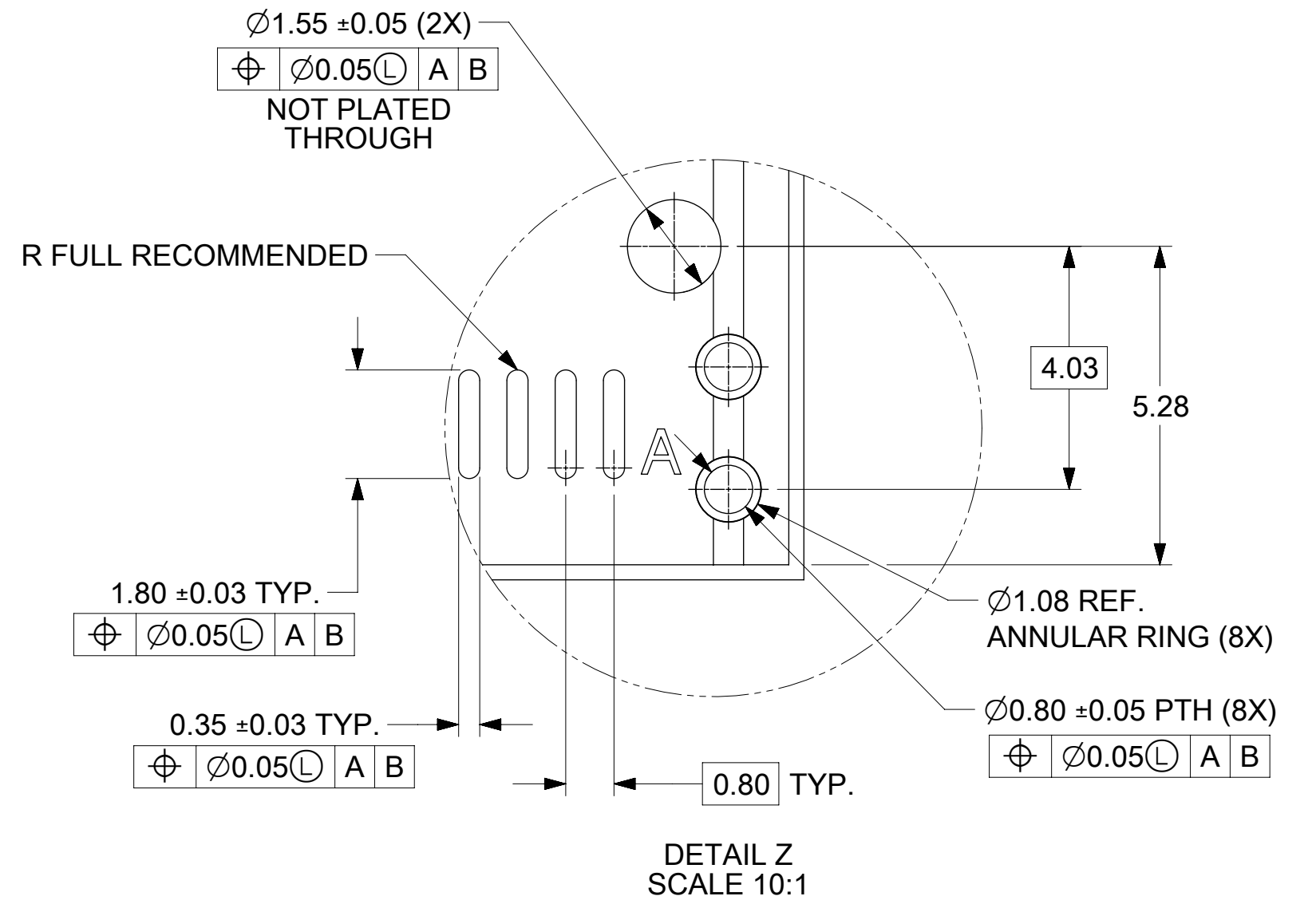
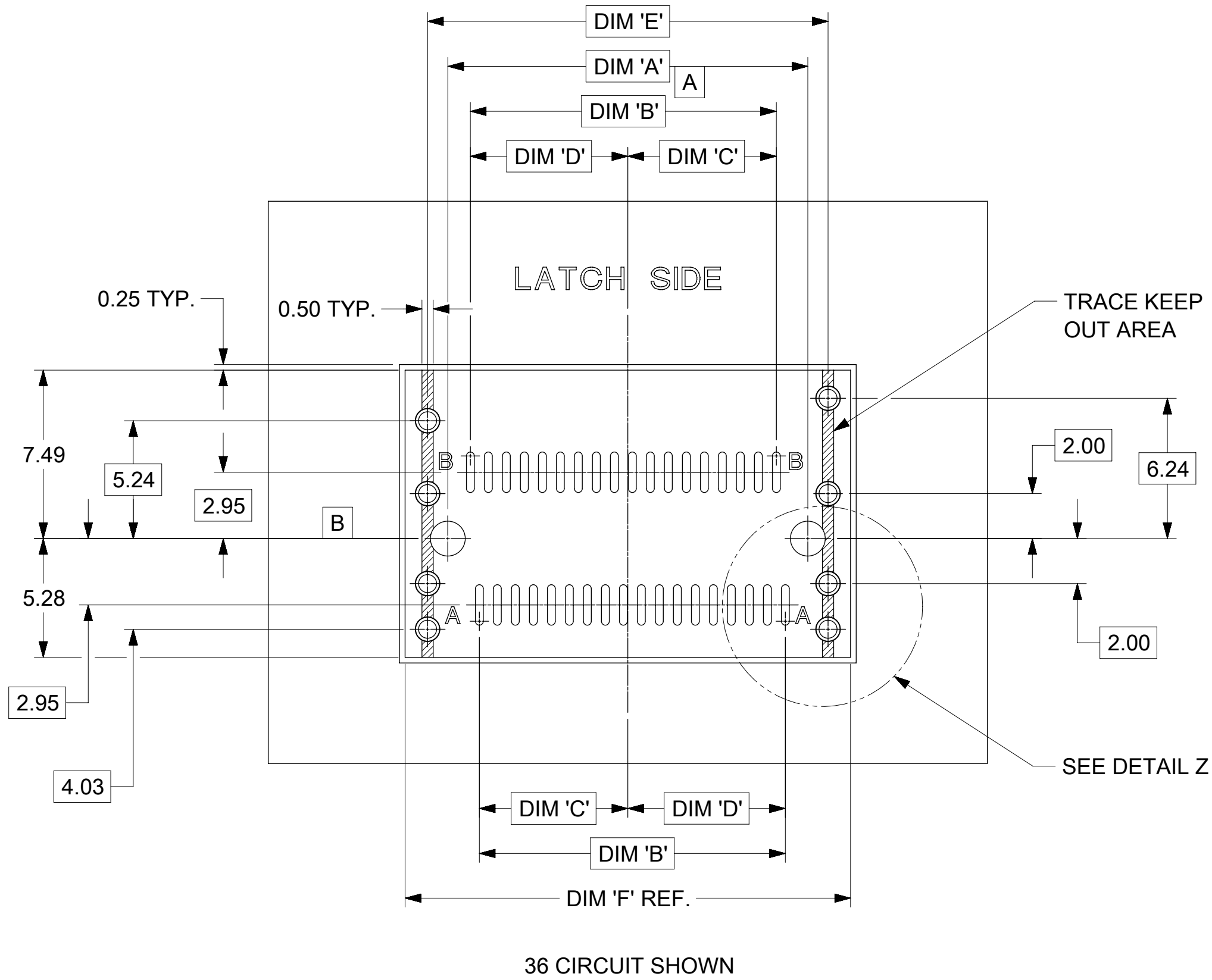
iPass™ IS A TRADEMARK OF MOLEX

THIS DRAWING CONTAINS INFORMATION THAT IS PROPRIETARY TO MOLEX ELECTRONIC TECHNOLOGIES, LLC AND SHOULD NOT BE USED WITHOUT WRITTEN PERMISSION												
DIMENSION UNITS	SCALE	CURRENT REV DESC: OBSOLETE PART NUMBER AS PER PCN#510579				molex						
mm	1:1	EC NO: 675088 DRWN: SUGEEB 2021/08/03 CHK'D: GGA 2021/09/08 APPR: GGA 2021/09/08 INITIAL REVISION: DRWN: KLANG 2005/04/15 APPR: RNELSON 2005/04/18				I-PASS VERT CONNECTOR INTERNAL ASSY W/SHELL 0.8MM PITCH I/O						
GENERAL TOLERANCES (UNLESS SPECIFIED)						PRODUCT CUSTOMER DRAWING						
ANGULAR TOL ± 0.5°						DOCUMENT NUMBER				DOC TYPE	DOC PART	REVISION
4 PLACES ±						SD-75784-001		PSD	001	D6		
3 PLACES ±												
2 PLACES ± 0.13												
1 PLACE ± 0.25												
0 PLACES ±												
DRAFT WHERE APPLICABLE MUST REMAIN WITHIN DIMENSIONS		THIRD ANGLE PROJECTION	DRAWING	SERIES	MATERIAL NUMBER	CUSTOMER	SHEET NUMBER					
			C-SIZE	75784	SEE TABLE	GENERAL MARKET	8 OF 13					

DOCUMENT STATUS	P1	RELEASE DATE	2021/09/08	12:08:25
-----------------	----	--------------	------------	----------



# VERTICAL CONNECTOR WITH RETENTION FIT & THRU-HOLE SHELL PCB FOOT PRINT

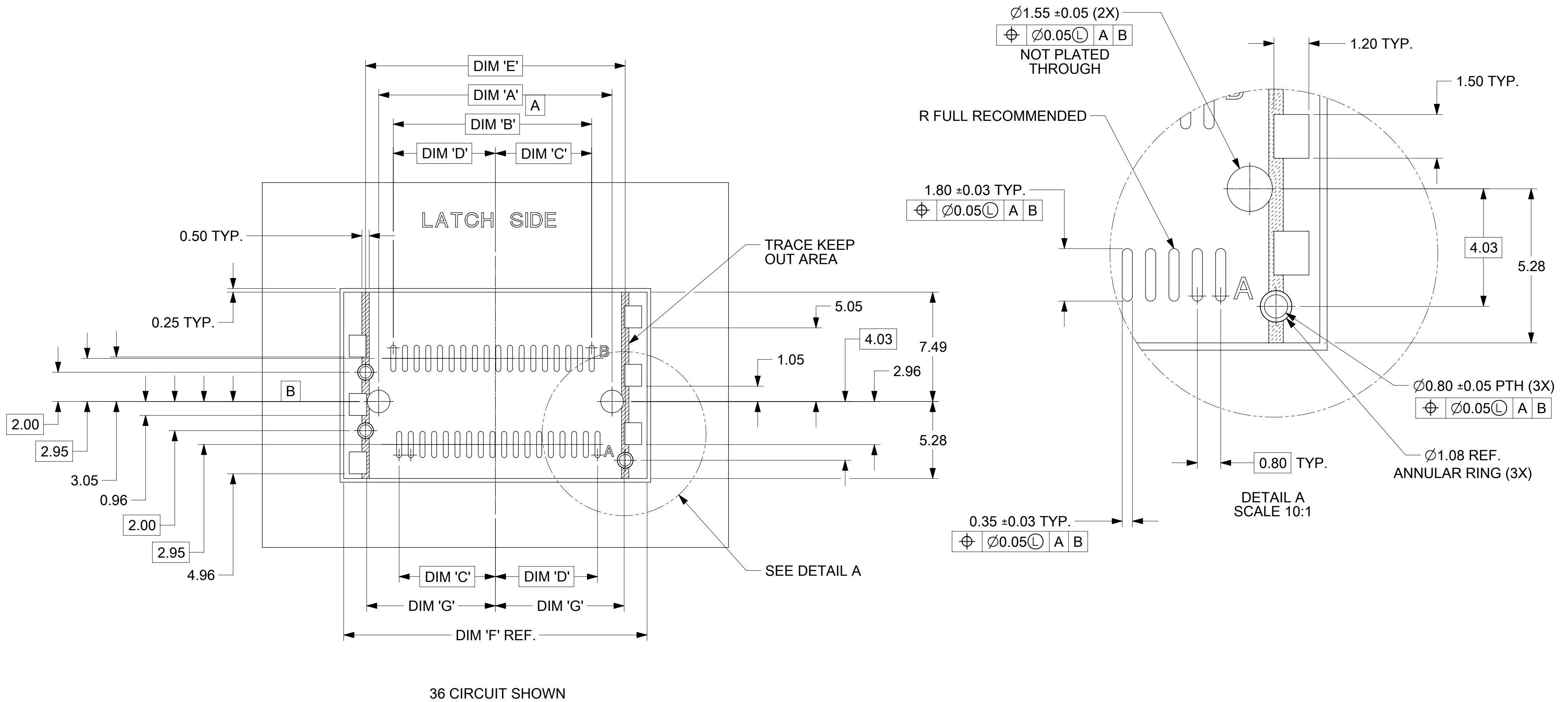


	PEG TO PEG	FIRST TO LAST PAD	CENTERLINE TO PAD	CENTERLINE TO PAD	SHELL PEG TO PEG	SHELL FOOTPRINT WIDTH
CIRCUIT SIZE	DIM 'A'	DIM 'B'	DIM 'C'	DIM 'D'	DIM 'E'	DIM 'F'
26	12.00	9.60	4.60	5.00	13.80	15.80
36	16.00	13.60	6.60	7.00	17.80	19.80
50	21.60	19.20	9.40	9.80	23.40	25.40
68	28.80	26.40	13.00	13.40	30.60	32.60

iPass™ IS A TRADEMARK OF MOLEX

THIS DRAWING CONTAINS INFORMATION THAT IS PROPRIETARY TO MOLEX ELECTRONIC TECHNOLOGIES, LLC AND SHOULD NOT BE USED WITHOUT WRITTEN PERMISSION											
DIMENSION UNITS	SCALE	CURRENT REV DESC: OBSOLETE PART NUMBER AS PER PCN#510579									
mm	5:1	<b>molex</b>									
GENERAL TOLERANCES (UNLESS SPECIFIED)		I-PASS VERT CONNECTOR INTERNAL ASSY W/SHELL 0.8MM PITCH I/O									
ANGULAR TOL ± 0.5°		PRODUCT CUSTOMER DRAWING									
4 PLACES ±		EC NO: 675088		2021/08/03		DOCUMENT NUMBER				DOC TYPE   DOC PART   REVISION	
3 PLACES ±		DRWN: SUGEEB		2021/09/08							
2 PLACES ± 0.13		CHK'D: GGA		2021/09/08		SD-75784-001				PSD 001 D6	
1 PLACE ± 0.25		APPR: GGA		2021/09/08		MATERIAL NUMBER				CUSTOMER	
0 PLACES ±		INITIAL REVISION:		2005/04/15							
DRAFT WHERE APPLICABLE MUST REMAIN WITHIN DIMENSIONS		DRWN: KLANG		2005/04/18		C-SIZE				75784	
THIRD ANGLE PROJECTION		APPR: RNELSON		2005/04/18							

# VERTICAL CONNECTOR WITH SMT SHELL PCB FOOT PRINT

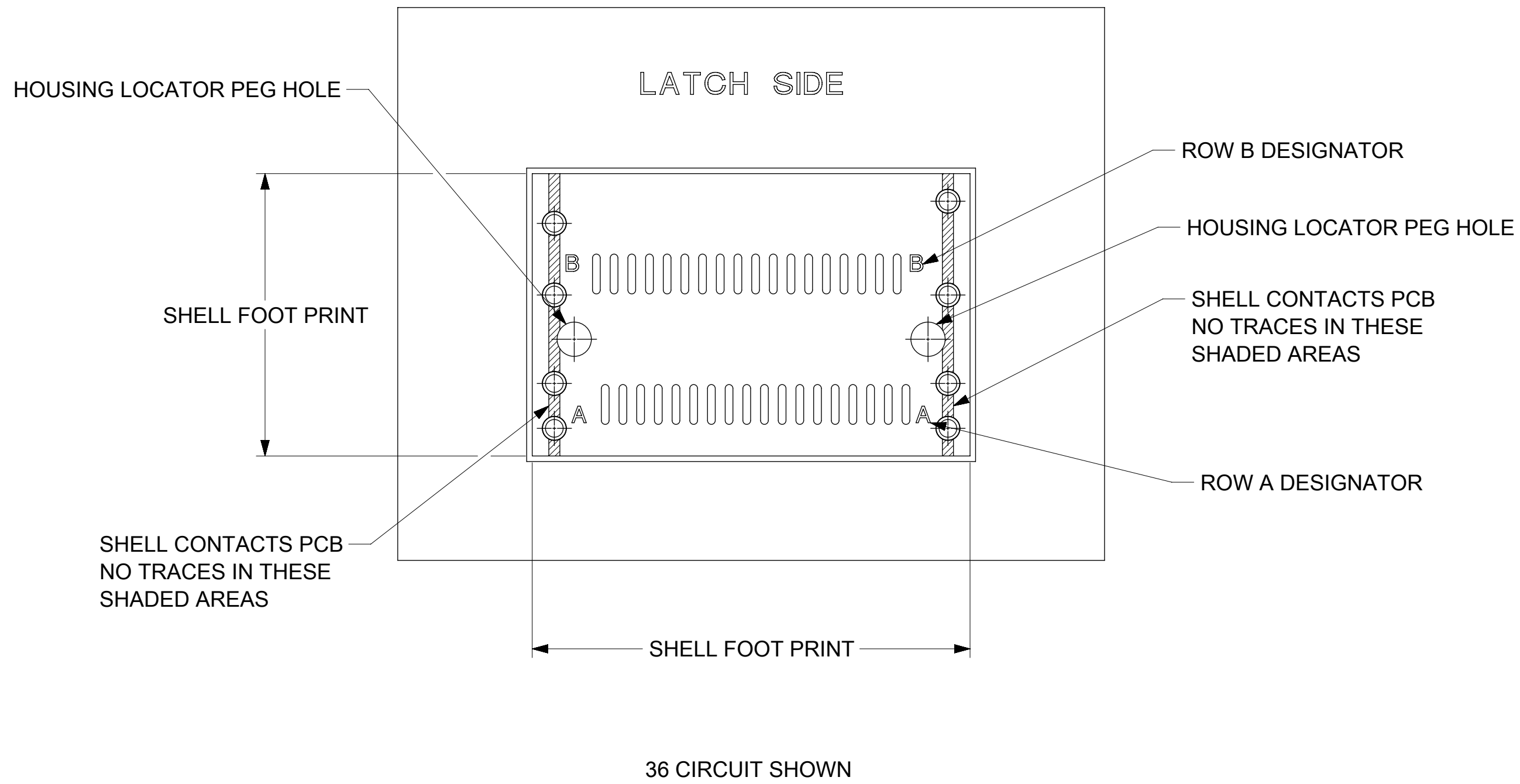


	PEG TO PEG	FIRST TO LAST PAD	CENTERLINE TO PAD	CENTERLINE TO PAD	SHELL PEG TO PEG	SHELL FOOTPRINT WIDTH	CENTERLINE TO PAD EDGE
CIRCUIT SIZE	DIM 'A'	DIM 'B'	DIM 'C'	DIM 'D'	DIM 'E'	DIM 'F'	DIM 'G'
26	12.00	9.60	4.60	5.00	13.80	16.80	6.825
36	16.00	13.60	6.60	7.00	17.80	20.80	8.825
50	21.60	19.20	9.40	9.80	23.40	26.40	11.625
68	28.80	26.40	13.00	13.40	30.60	33.60	15.225

iPass™ IS A TRADEMARK OF MOLEX

THIS DRAWING CONTAINS INFORMATION THAT IS PROPRIETARY TO MOLEX ELECTRONIC TECHNOLOGIES, LLC AND SHOULD NOT BE USED WITHOUT WRITTEN PERMISSION		CURRENT REV DESC: OBSOLETE PART NUMBER AS PER PCN#510579		molex	
DIMENSION UNITS: mm	SCALE: 5:1	EC NO: 675088		I-PASS VERT CONNECTOR INTERNAL ASSY W/SHELL 0.8MM PITCH I/O	
GENERAL TOLERANCES (UNLESS SPECIFIED)		DRWN: SUGEEB	2021/08/03	PRODUCT CUSTOMER DRAWING	
ANGULAR TOL ± 0.5°		CHK'D: GGA	2021/09/08		
4 PLACES ±		APPR: GGA	2021/09/08	DOCUMENT NUMBER	
3 PLACES ±		INITIAL REVISION:		SD-75784-001	
2 PLACES ± 0.13		DRWN: KLANG	2005/04/15	DOC TYPE: PSD	DOC PART: 001
1 PLACE ± 0.25		APPR: RNELSON	2005/04/18	REVISION: D6	
0 PLACES ±		THIRD ANGLE PROJECTION		MATERIAL NUMBER	CUSTOMER
DRAFT WHERE APPLICABLE MUST REMAIN WITHIN DIMENSIONS		DRAWING: C-SIZE	SERIES: 75784	SEE TABLE	GENERAL MARKET
		SHEET NUMBER: 10 OF 13			

# VERTICAL CONNECTOR WITH SHELL PCB FOOT PRINT DESCRIPTIONS

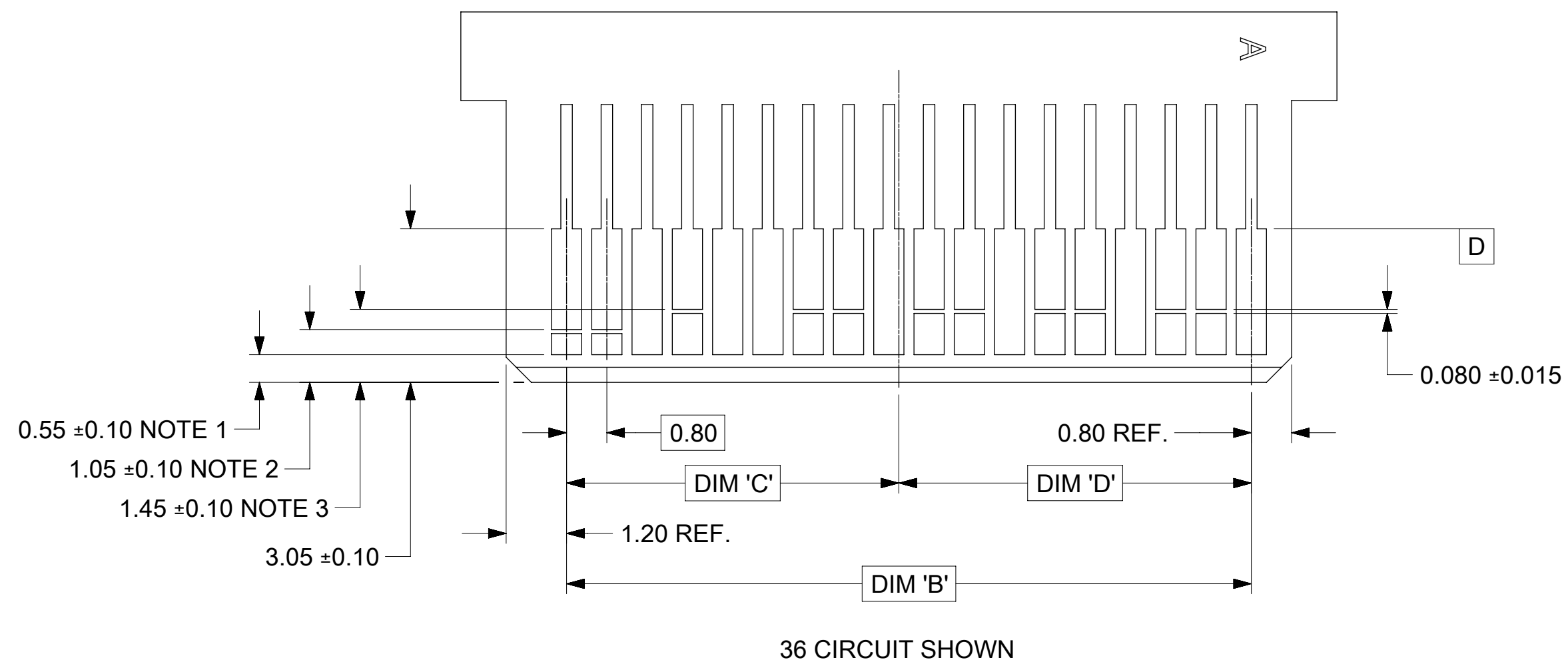
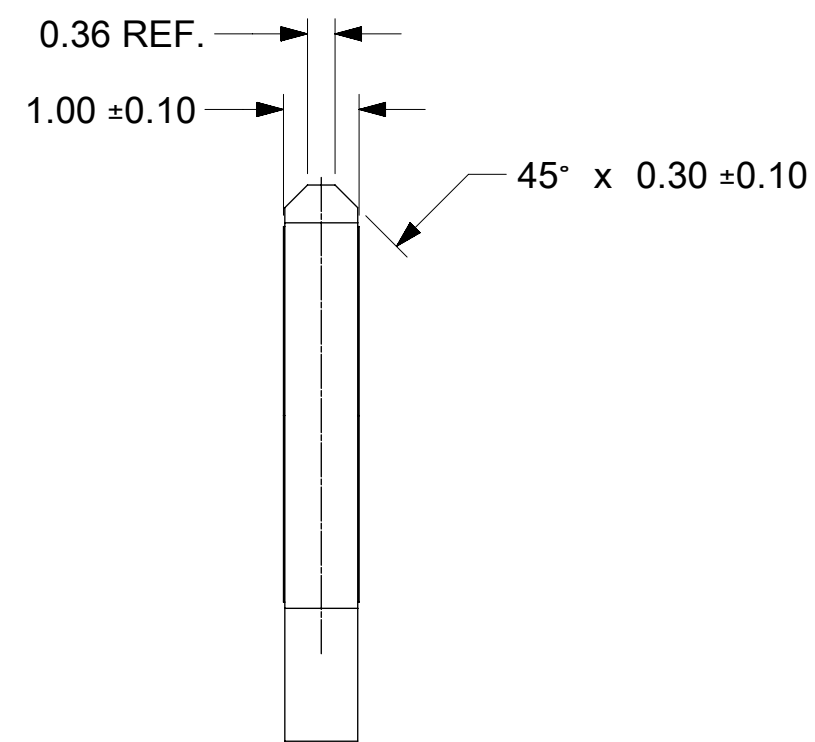
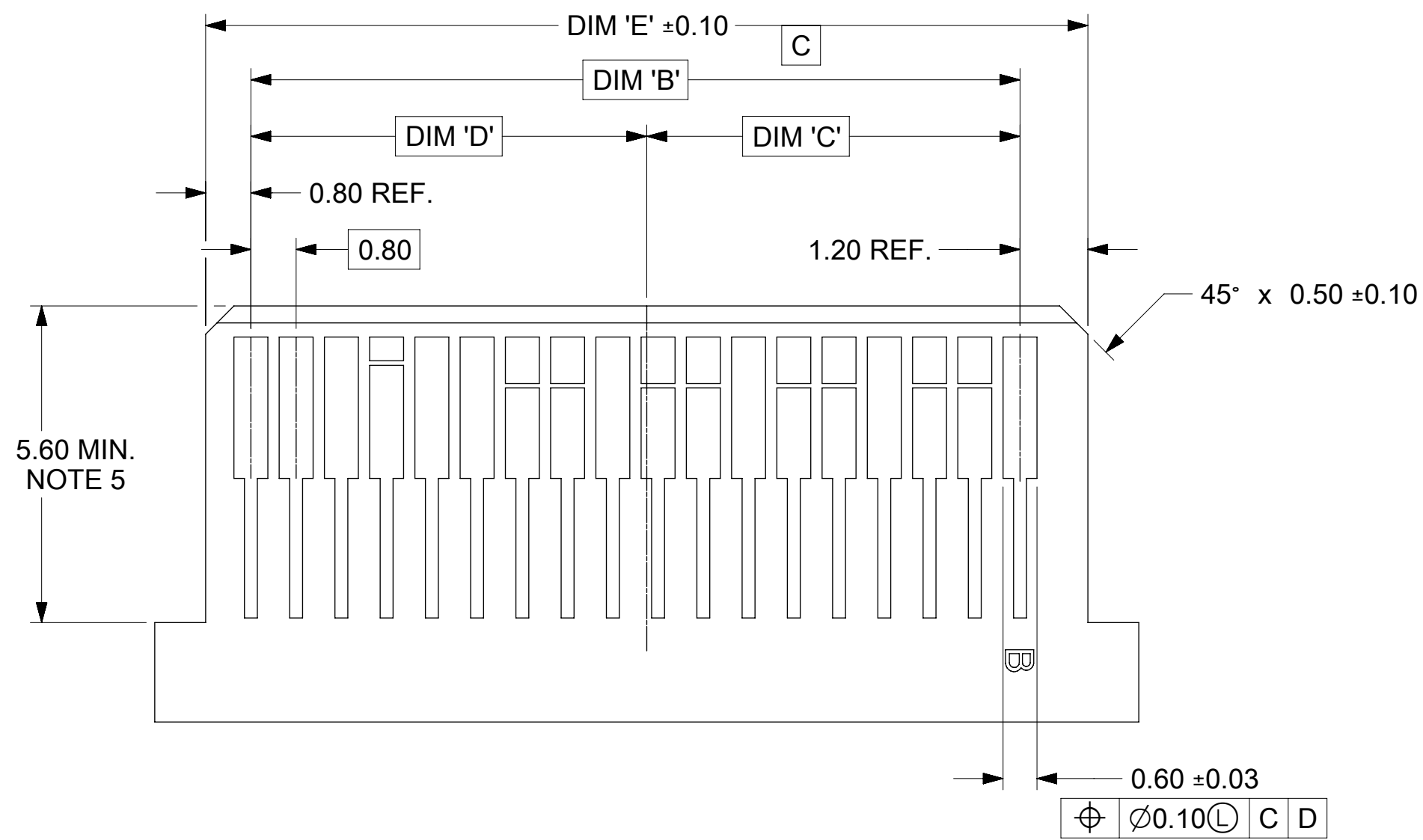


iPass™ IS A TRADEMARK OF MOLEX

THIS DRAWING CONTAINS INFORMATION THAT IS PROPRIETARY TO MOLEX ELECTRONIC TECHNOLOGIES, LLC AND SHOULD NOT BE USED WITHOUT WRITTEN PERMISSION									
DIMENSION UNITS	SCALE	CURRENT REV DESC: OBSOLETE PART NUMBER AS PER PCN#510579				molex			
mm	5:1					I-PASS VERT CONNECTOR INTERNAL ASSY W/SHELL 0.8MM PITCH I/O			
GENERAL TOLERANCES (UNLESS SPECIFIED)						PRODUCT CUSTOMER DRAWING			
ANGULAR TOL ± 0.5°		EC NO: 675088				DOCUMENT NUMBER			
4 PLACES ±		DRWN: SUGEEB		2021/08/03		SD-75784-001		DOC TYPE DOC PART REVISION	
3 PLACES ±		CHK'D: GGA		2021/09/08		PSD		001 D6	
2 PLACES ± 0.13		APPR: GGA		2021/09/08					
1 PLACE ± 0.25		INITIAL REVISION:							
0 PLACES ±		DRWN: KLANG		2005/04/15					
		APPR: RNELSON		2005/04/18					
DRAFT WHERE APPLICABLE MUST REMAIN WITHIN DIMENSIONS		THIRD ANGLE PROJECTION		DRAWING		SERIES		MATERIAL NUMBER	
				C-SIZE		75784		SEE TABLE	
				GENERAL MARKET		CUSTOMER		SHEET NUMBER	
						GENERAL MARKET		11 OF 13	

DOCUMENT STATUS	P1	RELEASE DATE	2021/09/08	12:08:25
-----------------	----	--------------	------------	----------


# MATING INTERFACE (FOR REFERENCE ONLY)



- NOTES:
- PAD CONFIGURATION FOR FIRST MATE.
  - PAD CONFIGURATION FOR SECOND MATE.
  - PAD CONFIGURATION FOR THIRD MATE. (HIGH SPEED SIGNALS)
  - FOR PIN ASSIGNMENTS AND MATING SEQUENCE (1ST, 2ND, 3RD), SEE APPLICABLE SPECIFICATION.
  - MINIMUM STEP REQUIRED IF PCB MADE WIDER THAN TONGUE.

iPass™ IS A TRADEMARK OF MOLEX

CIRCUIT SIZE	TERM/SIDE 'N'	DIM 'B'	DIM 'C'	DIM 'D'	DIM 'E'
26	13	9.60	4.60	5.00	11.60
36	18	13.60	6.60	7.00	15.60
50	25	19.20	9.40	9.80	21.20
68	34	26.40	13.00	13.40	28.40

THIS DRAWING CONTAINS INFORMATION THAT IS PROPRIETARY TO MOLEX ELECTRONIC TECHNOLOGIES, LLC AND SHOULD NOT BE USED WITHOUT WRITTEN PERMISSION									
DIMENSION UNITS <b>mm</b>		SCALE <b>1:1</b>		CURRENT REV DESC: OBSOLETE PART NUMBER AS PER PCN#510579				 I-PASS VERT CONNECTOR INTERNAL ASSY W/SHELL 0.8MM PITCH I/O	
GENERAL TOLERANCES (UNLESS SPECIFIED)		ANGULAR TOL ± 0.5°		EC NO: 675088					
4 PLACES ±		3 PLACES ±		2 PLACES ± 0.13		1 PLACE ± 0.25		0 PLACES ±	
DRAFT WHERE APPLICABLE MUST REMAIN WITHIN DIMENSIONS		THIRD ANGLE PROJECTION		DRAWING <b>C-SIZE</b>		SERIES <b>75784</b>		MATERIAL NUMBER SEE TABLE	
DOCUMENT STATUS P1		RELEASE DATE 2021/09/08 12:08:25		DRWN: SUGEEB 2021/08/03		CHK'D: GGA 2021/09/08		APPR: GGA 2021/09/08	
DOCUMENT NUMBER <b>SD-75784-001</b>		DOC TYPE PSD		DOC PART 001		REVISION D6		CUSTOMER GENERAL MARKET	
SHEET NUMBER 12 OF 13		SHEET NUMBER 12 OF 13		SHEET NUMBER 12 OF 13		SHEET NUMBER 12 OF 13		SHEET NUMBER 12 OF 13	

REVISION DESCRIPTION

REV	DATE	DESCRIPTION
D5	2019/4/17	DRAWING MIGRATION TO ECTR
D6	2021/08/03	OBSOLETE PART NUMBERS: 757840008,757840019,757840020,757840021,757840022,757840023,757840024,757840029,757840030,757840031,757840033, 757840034,757840035,757840107,757840108,757840130,757840135,757840145,757840146,757840149,757840153,757840154, 757840155,757840157,757840158,757840207,757840209,757840210,757840211,757840219,757840220,757840221,757840222, 757840223,757840224,757840227,757840228,757840229,757840230,757840231,757840233,757840234,757840235,757840236, 757840237,757840238,757840239,757840241,757840242,757840243,757840246,757840247,757840248,757840249,757840250, 757840251,757840309,757840310,757840311,757840312,757840319,757840321,757840322,757840323,757840325,757840331, 757840335,757840339,757840341,757840342,757840343,757840345,757840346,757840347,757840349,757840350

THIS DRAWING CONTAINS INFORMATION THAT IS PROPRIETARY TO MOLEX ELECTRONIC TECHNOLOGIES, LLC AND SHOULD NOT BE USED WITHOUT WRITTEN PERMISSION									
DIMENSION UNITS	SCALE	CURRENT REV DESC: OBSOLETE PART NUMBER AS PER PCN#510579			<b>molex</b>				
mm	1:1								
GENERAL TOLERANCES (UNLESS SPECIFIED)					I-PASS VERT CONNECTOR INTERNAL ASSY W/SHELL 0.8MM PITCH I/O				
ANGULAR TOL	± 0.5°	EC NO: 675088			PRODUCT CUSTOMER DRAWING				
4 PLACES	±	DRWN: SUGEEB 2021/08/03			DOCUMENT NUMBER: <b>SD-75784-001</b>   DOC TYPE: PSD   DOC PART: 001   REVISION: D6				
3 PLACES	±	CHK'D: GGA 2021/09/08							
2 PLACES	± 0.13	APPR: GGA 2021/09/08			MATERIAL NUMBER: SEE TABLE   CUSTOMER: GENERAL MARKET   SHEET NUMBER: 13 OF 13				
1 PLACE	± 0.25	INITIAL REVISION:							
0 PLACES	±	DRWN: KLANG 2005/04/15							
DRAFT WHERE APPLICABLE MUST REMAIN WITHIN DIMENSIONS		THIRD ANGLE PROJECTION	DRAWING	SERIES					
			C-SIZE	75784					

DOCUMENT STATUS	P1	RELEASE DATE	2021/09/08	12:08:25
-----------------	----	--------------	------------	----------