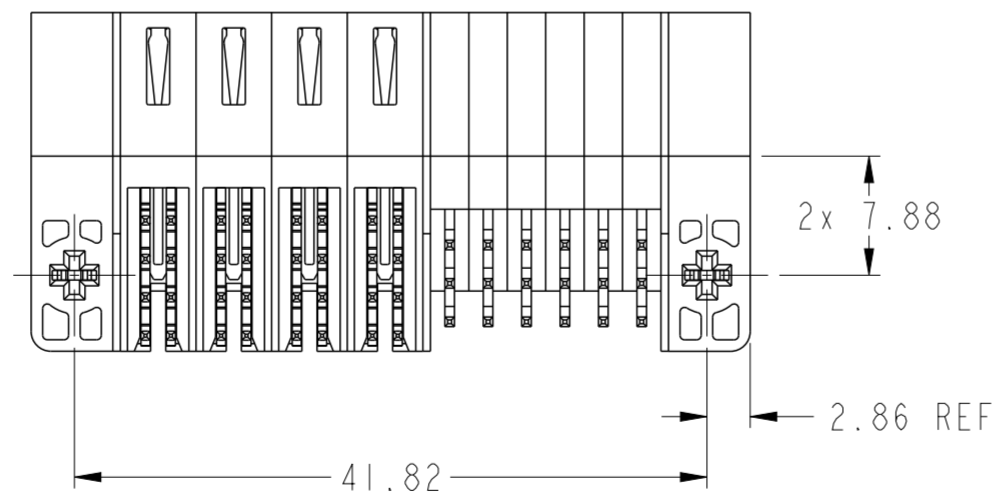
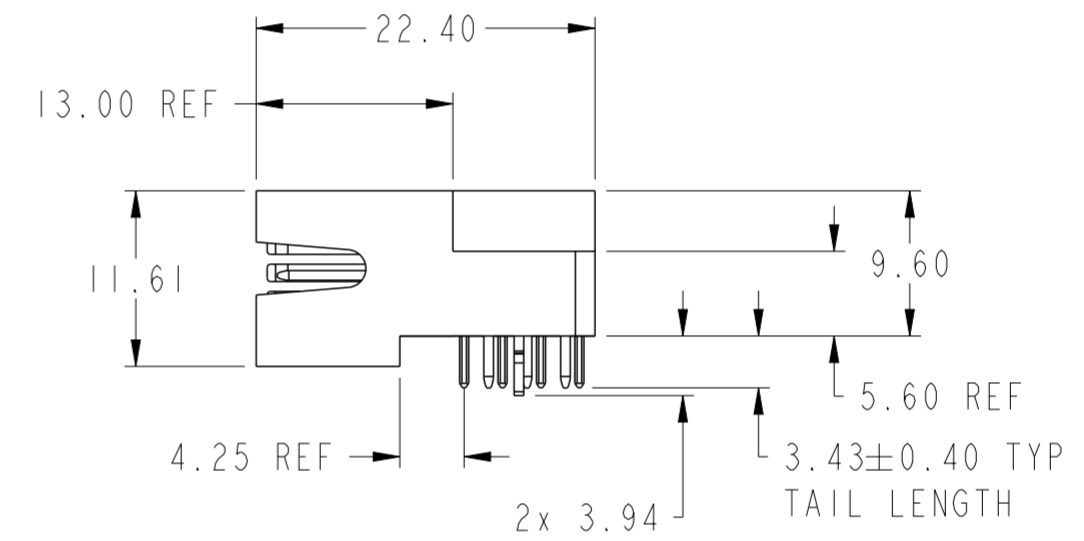
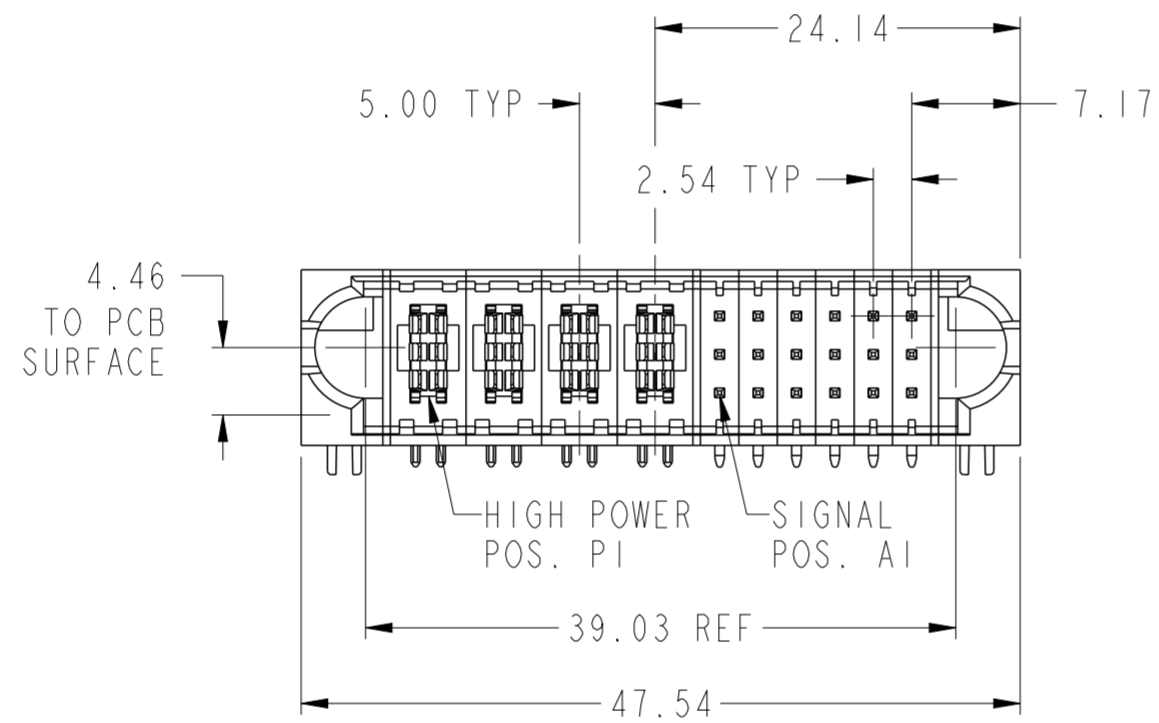
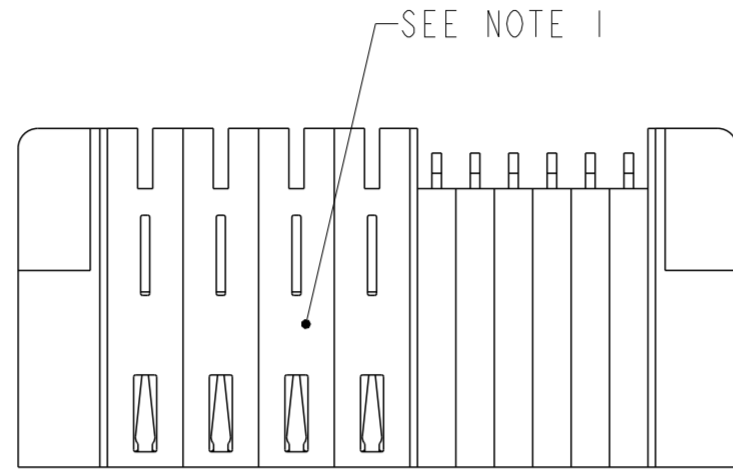


PRODUCT NUMBER
10127397-23HI400LF



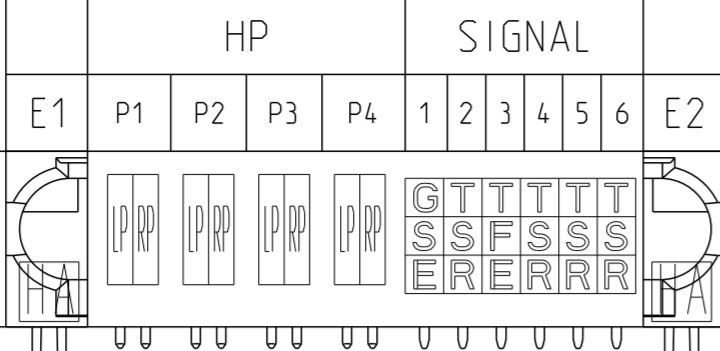
spec ref	-	dr	De-Ming Lu	2016/03/09	projection	mm	size	A2	scale	2:1
tolerance std	ISO 406 ISO 1101	eng	De-Ming Lu	2016/04/04		mm	ecn no	-	rel level	Released
TOLERANCES UNLESS OTHERWISE SPECIFIED		chr	Fancy Zhang	2016/04/04						
surface	ISO 1302	appr	Pei-Ming Zheng	2016/04/04	product family	PwrBlade ULTRA	rel level	Released	cat. no.	-
linear	0.X ±0.5 0.XX ±0.25 0.XXX ±0.130			4HP+18S, SOLDER R/A PLUG, PwrBlade ULTRA		dwg no 10127397-23HI400	rev A	Product - Customer Drw sheet 1 of 3		
angular	0° ±2°	PDS: Rev :A		STATUS:Released		Printed: Apr 05, 2016				

Amphenol
FCi

© 2016 AFci

PRODUCT NO.

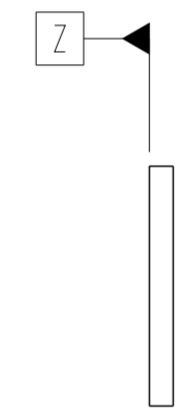
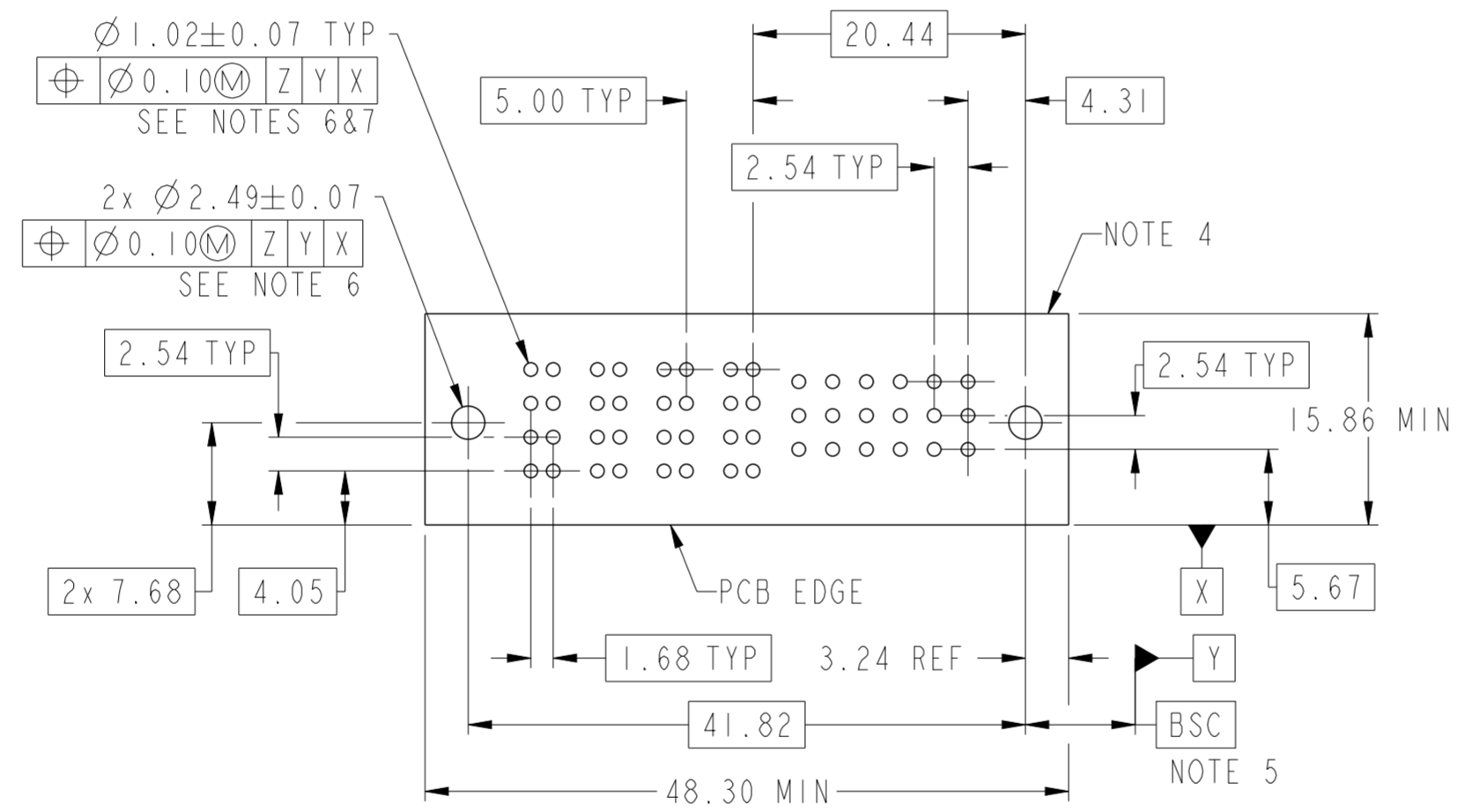
ROWS



10127397-23HI400LF

C
B
A

CODE	DESCRIPTION
LP	LEFT POWER CONTACT
RP	RIGHT POWER CONTACT
R	MFBL SIGNAL CONTACT
S	MFBL SIGNAL CONTACT
T	MFBL SIGNAL CONTACT
E	STD SIGNAL CONTACT
F	STD SIGNAL CONTACT
G	STD SIGNAL CONTACT
HA	HOLD DOWN



Amphenol
FCi

spec ref	-	dr	De-Ming Lu	2016/03/09	projection	mm	size	A2	scale	2:1
tolerance std	ISO 406 ISO 1101	eng	De-Ming Lu	2016/04/04		mm	ecn no	-	rel level	Released
TOLERANCES UNLESS OTHERWISE SPECIFIED		chr	Fancy Zhang	2016/04/04						
surface	ISO 1302	appr	Pei-Ming Zheng	2016/04/04	product family	PwrBlade ULTRA	cat. no.	-	Product - Customer Drw	sheet 2 of 3
	linear	0.X	±0.5	Amphenol FCi	title	4HP+18S, SOLDER		10127397-23HI400	rev A	
		0.XX	±0.25							
		0.XXX	±0.130							
	angular	0°	±2°							

PDS: Rev :A

STATUS:Released

Printed: Apr 05, 2016

PRODUCT NUMBER
10127397-23HI400LF

NOTES:

- ①. "FCI", PART NUMBER AND DATE CODE TO BE MARKED ON THIS SURFACE.
THE P/N CAN BE OMITTED IF THERE IS NOT ENOUGH SPACE ON THIS SURFACE.
2. MATERIALS:
HOUSING: GLASS FILLED WITH HIGH TEMP POLYAMIDE, UL94V-0.
POWER CONTACTS: COPPER ALLOY.
SIGNAL CONTACTS: COPPER ALLOY.
HOLD DOWN: COPPER ALLOY.
3. PLATING SPECIFICATION: FCI 10135186.
- ④. DENOTES CONNECTOR KEEP OUT ZONE.
- ⑤. DATUM AND BASIC DIMENSION ARE ESTABLISHED BY CUSTOMER.
- ⑥. ALL HOLE DIAMETERS ARE FINISHED HOLE SIZES.
- ⑦. 1.150±0.025mm DRILLED HOLE PLATED WITH 7.62µm MIN Sn OVER
25.4µm-76.2µm Cu PLATING TO ACHIEVE A 1.02±0.07mm FINISHED HOLE.
8. PRODUCT SPECIFICATION: FCI GS-12-1176.
APPLICATION SPECIFICATION: FCI GS-20-0389.
PRODUCT PACKAGE SPECIFICATION: FCI GS-14-2354.

Amphenol
FCI

© 2016 AFCI

spec ref	-			dr	De-Ming Lu	2016/03/09	projection	mm	size	A2	scale	2:1		
tolerance std	TOLERANCES UNLESS OTHERWISE SPECIFIED			eng	De-Ming Lu	2016/04/04		← mm →	ecn no -					
ISO 406				chr	Fancy Zhang	2016/04/04			rel level Released					
ISO 1101				appr	Pei-Ming Zheng	2016/04/04	product family PwrBlade ULTRA							
surface	linear	0.X	±0.5		title			4HP+18S, SOLDER	div no	10127397-23HI400			rev	
ISO 1302		0.XX	±0.25		R/A PLUG, PwrBlade ULTRA									A
		0.XXX	±0.130		cat. no. -									
	angular	0°	±2°	Product - Customer Drw			sheet 3 of 3							

PDS: Rev :A

STATUS:Released

Printed: Apr 05, 2016