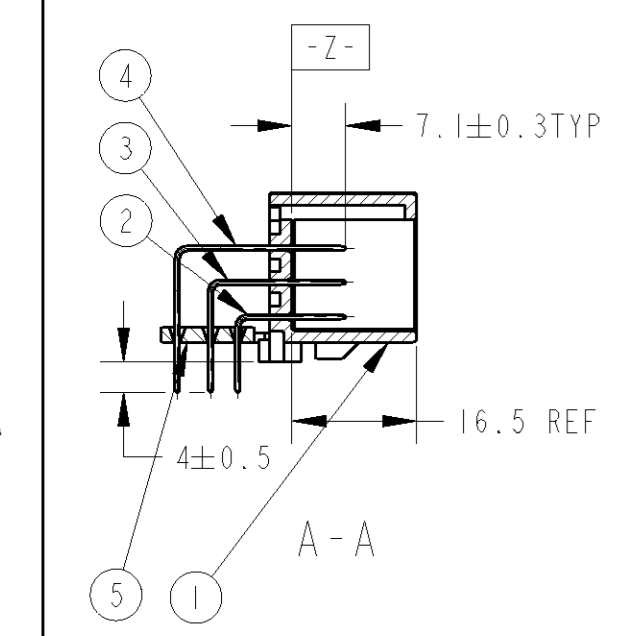
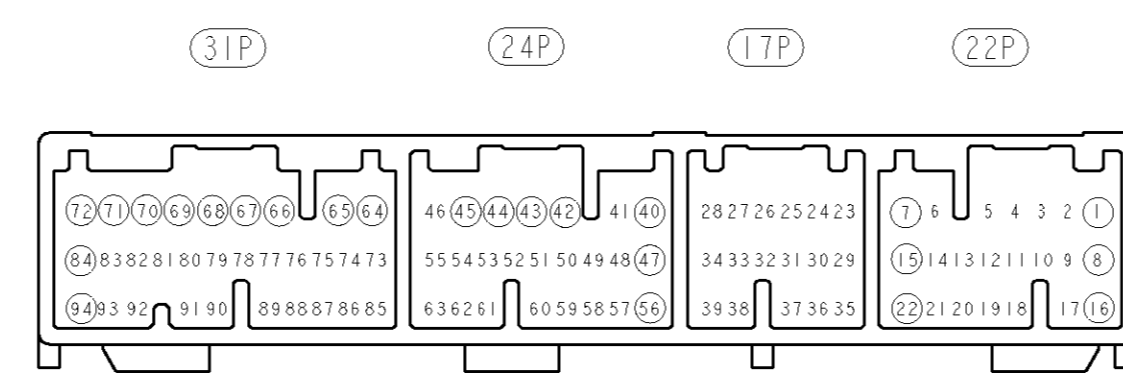
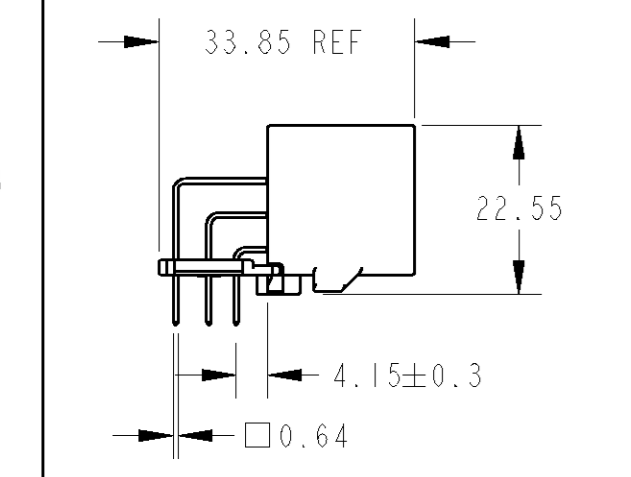
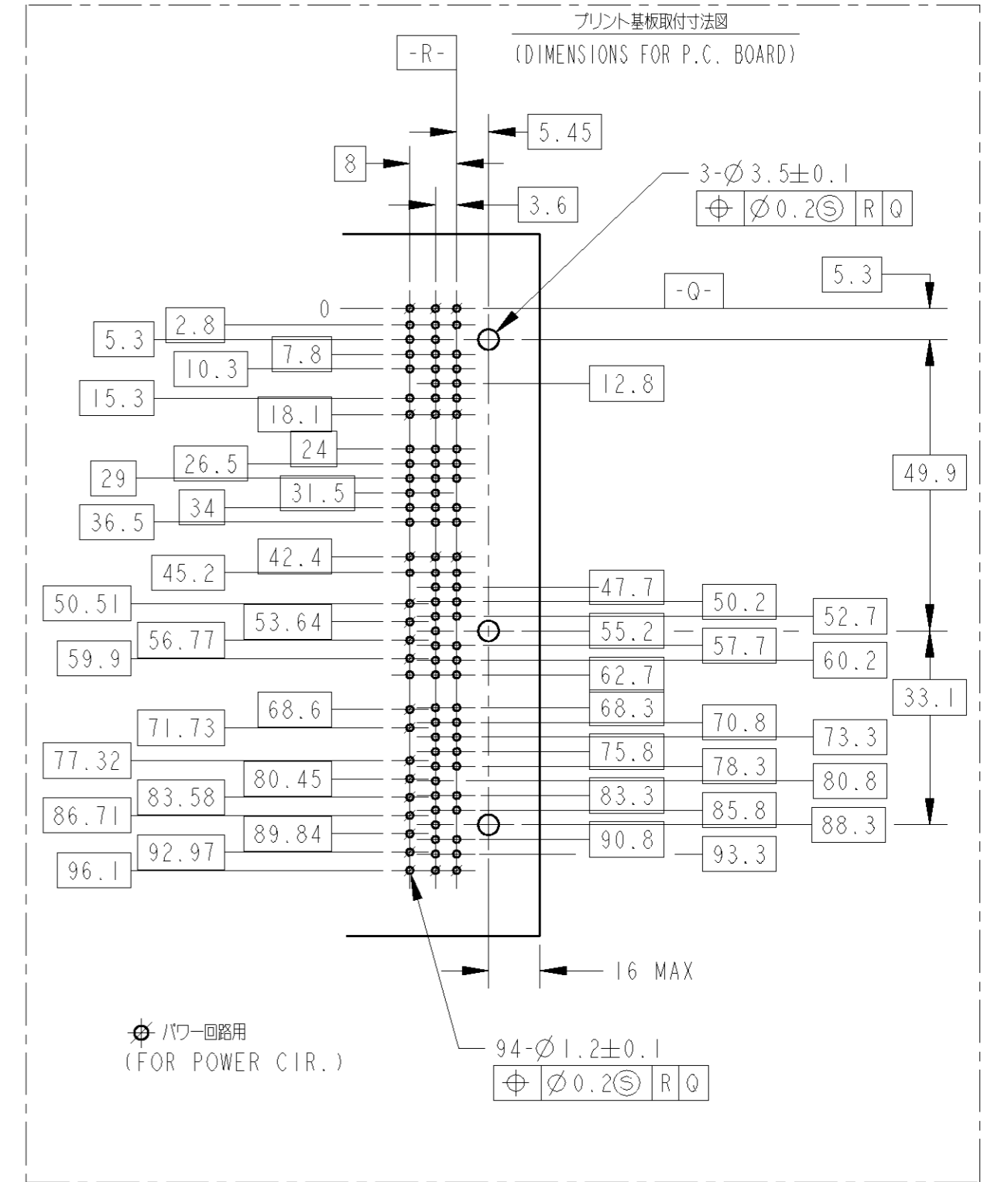
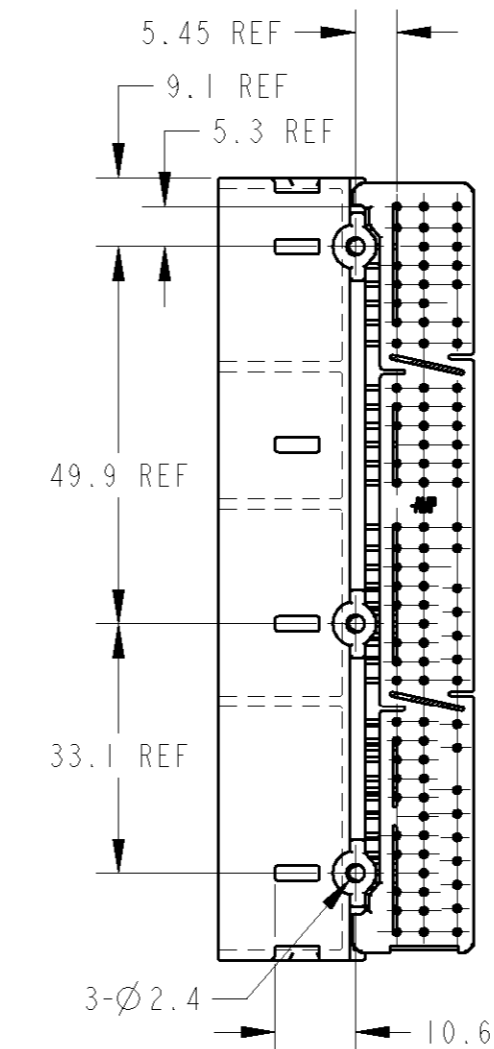
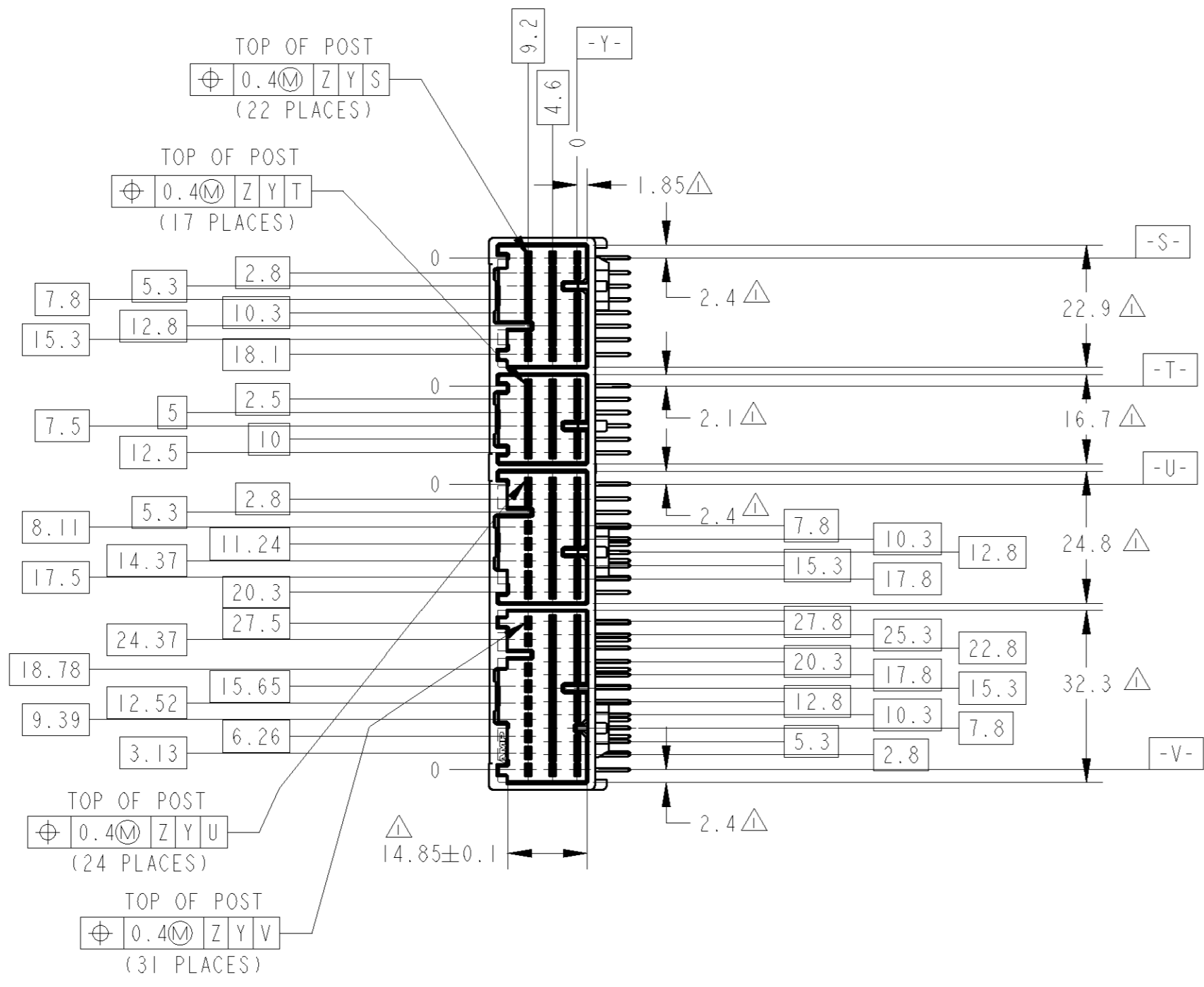
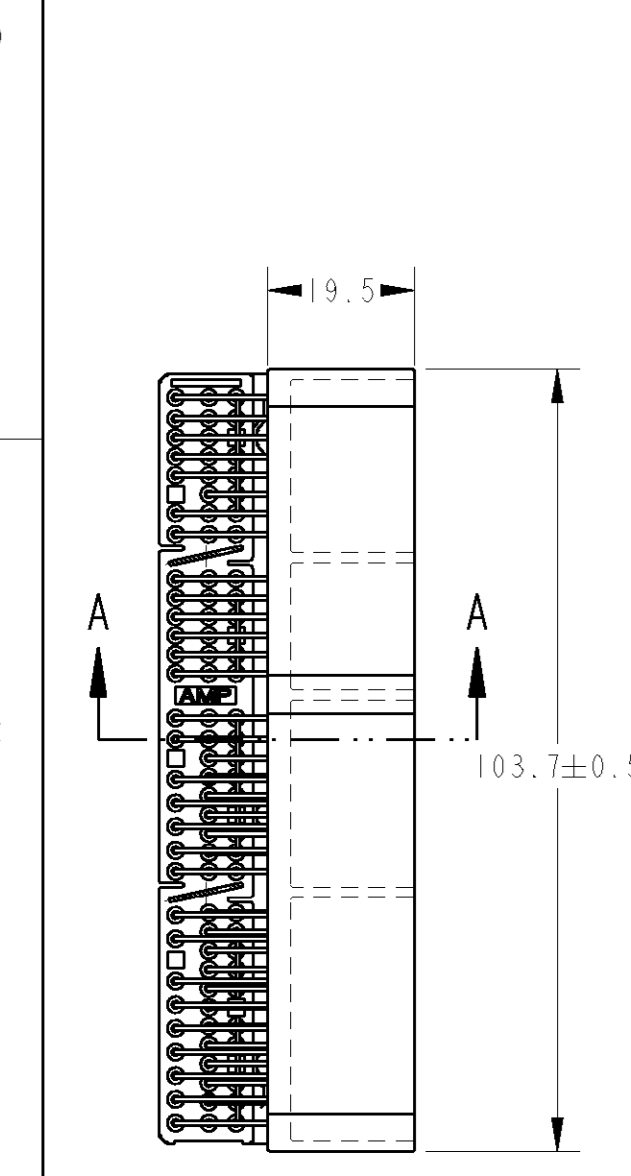


LOC	DIST	REVISIONS						
		P	LTR	DESCRIPTION	ECN	DATE	DWN	APVD
J		0		RELEASED	FJ00-0031-01	23APR01	K.S	K.A



- MEASURED AT THE SECTION 7.5mm FROM Z.
 1. POWER CIRCUITS (24) : SEE FIG 1
 2. CIRCUIT NUMBERS ; SEE FIG 1
 3. PART NO OF PLUG HOUSINGS TO BE MATED
 4. 17P; 353027
 22P; 353028
 24P; 353029
 31P; 353826
 5. RECOMMENDED SCREW: PAN-HEADED, TYPE 2 TAPPING SCREW OF 3DIA X 6LEN(MAX) (JIS B1115, B1122).
 6. FASTENING TORQUE FOR SCREW: 0.392N·m MAX.
 7. INSTRUCTION SHEET 411-5931

- ② (N) ; FOR POWER CIRCUIT
 ③ Fig 1 CIRCUIT NUMBERS
 Z面より7.5mmの位置で測定
 ① パワー回路(24極); FIG 1 参照
 ② 回路番号; FIG 1 参照
 ③ 嵌合相手ハウジング型番
 17P: 353027
 22P: 353028
 24P: 353029
 31P: 353826
 5. 推奨取付ねじ: JIS B1115, B1122タッピングねじ, なべ2種
 呼び径3, 長さ6以下
 6. ねじ締め付トルク: 0.392N·m MAX.
 7. 取扱説明書 411-5931

	NATURAL (WHITE)	PBT	TINE PLATE	I	5
	PRE-TIN	COPPER ALLOY	TAB CONTACT(L)	29	4
	PRE-TIN	COPPER ALLOY	TAB CONTACT(M)	35	3
	PRE-TIN	COPPER ALLOY	TAB CONTACT(S)	30	2
	NATURAL (WHITE)	PBT	CAP HOUSING	1	1
	FINISH/COLOR	MATERIAL	NAME	QTY	ITEM NO

THIS DRAWING IS A CONTROLLED DOCUMENT FOR AMP INCORPORATED. IT IS SUBJECT TO CHANGE AND THE CONTROLLING ENGINEERING ORGANIZATION SHOULD BE CONTACTED FOR THE LATEST REVISION.		DWN K. SHIGA 23APR01	INSULATION DIA 被覆外径	
DIMENSIONS: 単位: mm		CHK Y. FUJIWARA 23APR01	AMP	
TOLERANCES UNLESS OTHERWISE SPECIFIED: 一般公差 10±: ±0.2 30±: ±0.25 100±: ±0.3 ANGLE: ±5°		APVD K. ASAI 23APR01	Tyco Electronics AMP K.K. Kawasaki, Japan	
MATERIAL 材料		PRODUCT SPEC 製品規格	NAME 名称	
FINISH 仕上		APPLICATION SPEC 取付適用規格	040111 HIGH DENSITY CONNECTOR 94 POSITIONS CAP HOUSING ASSEMBLY (B TYPE)	
SEE TABLE		WEIGHT 35.0g	SIZE A2	RESTRICTED 特
		CUSTOMER DRAWING	CAGE CODE 00779	DRAWING NO 1473181
			SCALE 1:1	SHEET 1 OF 1