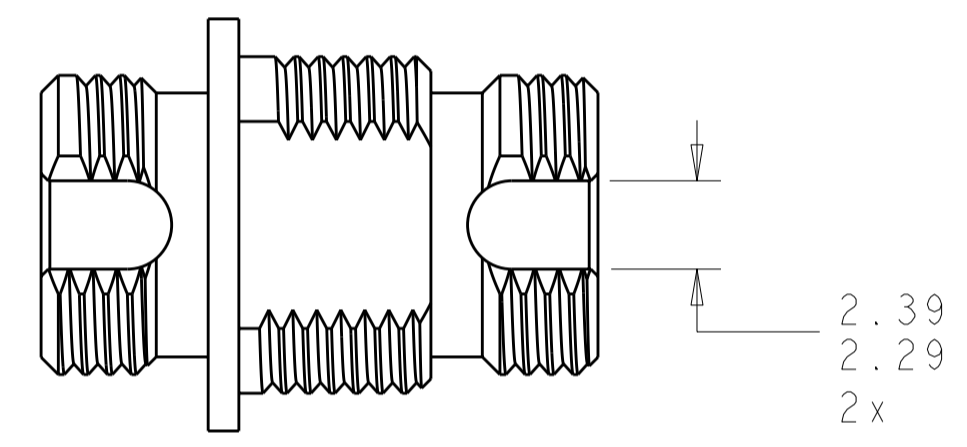
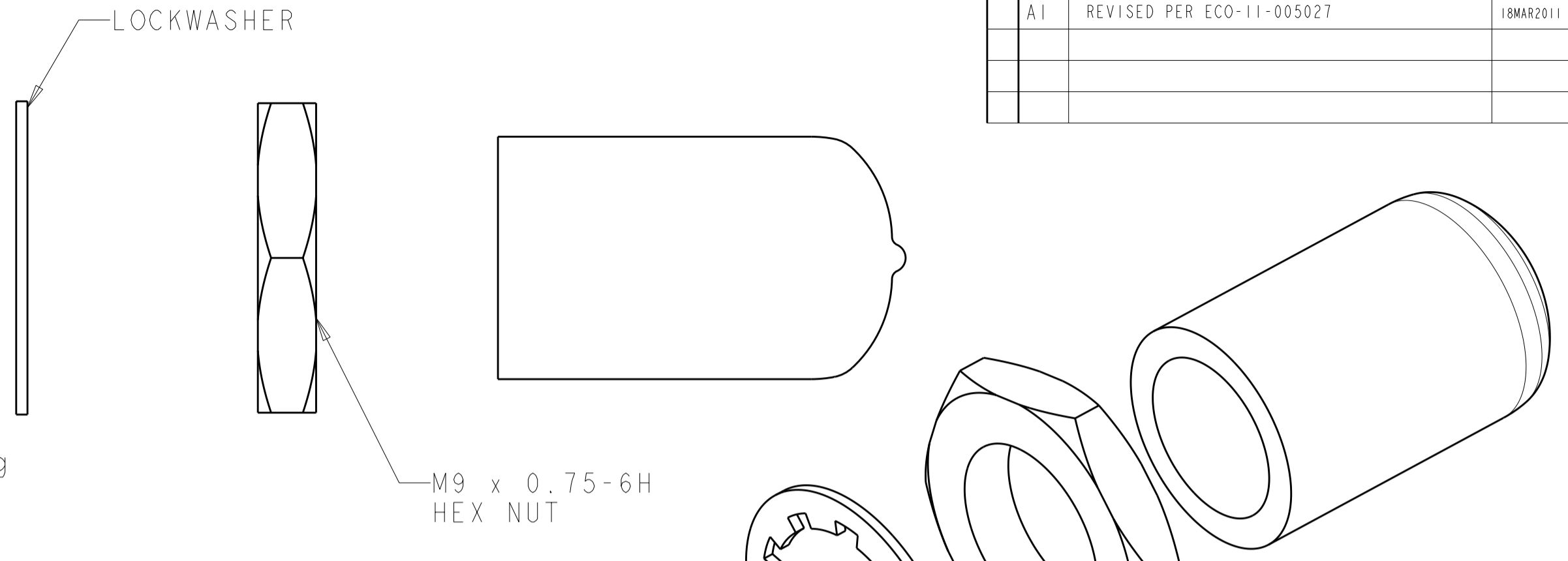
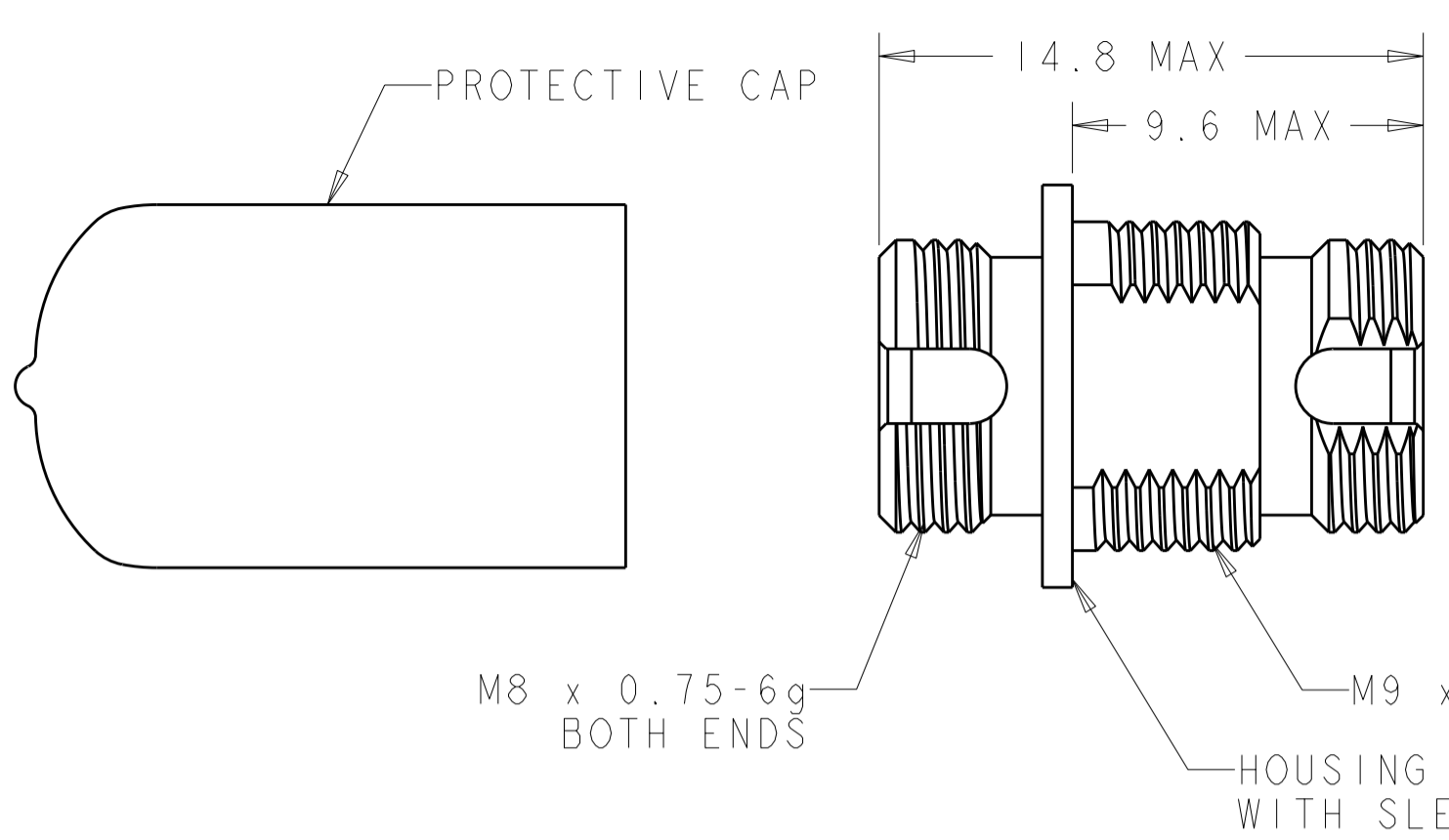
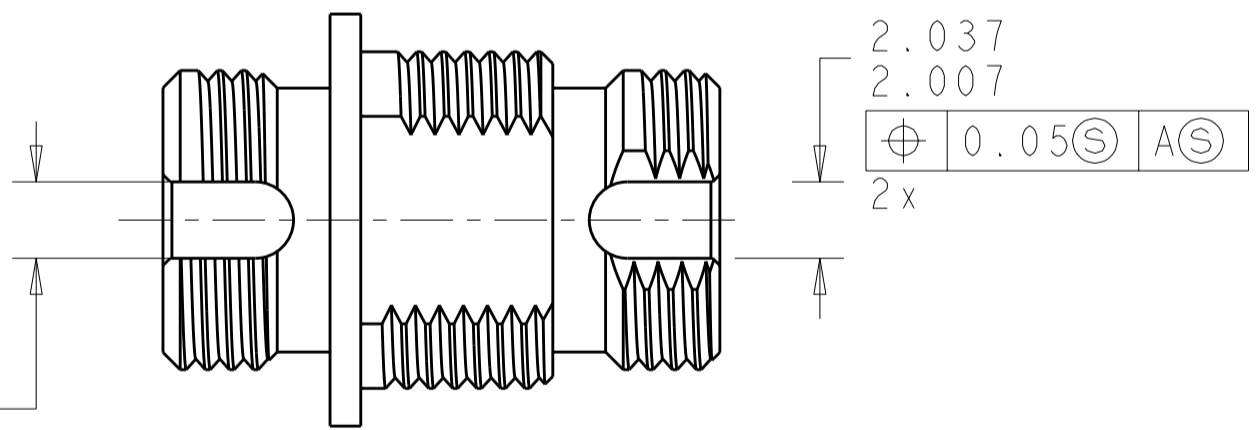


THIS DRAWING IS UNPUBLISHED. RELEASED FOR PUBLICATION 20  
 © COPYRIGHT 20 BY - ALL RIGHTS RESERVED.

| REVISIONS |     |                           |           | DATE | DWN | APVD |
|-----------|-----|---------------------------|-----------|------|-----|------|
| P         | LTR | DESCRIPTION               |           |      |     |      |
|           | AI  | REVISED PER ECO-11-005027 | 18MAR2011 | RK   | HMR |      |

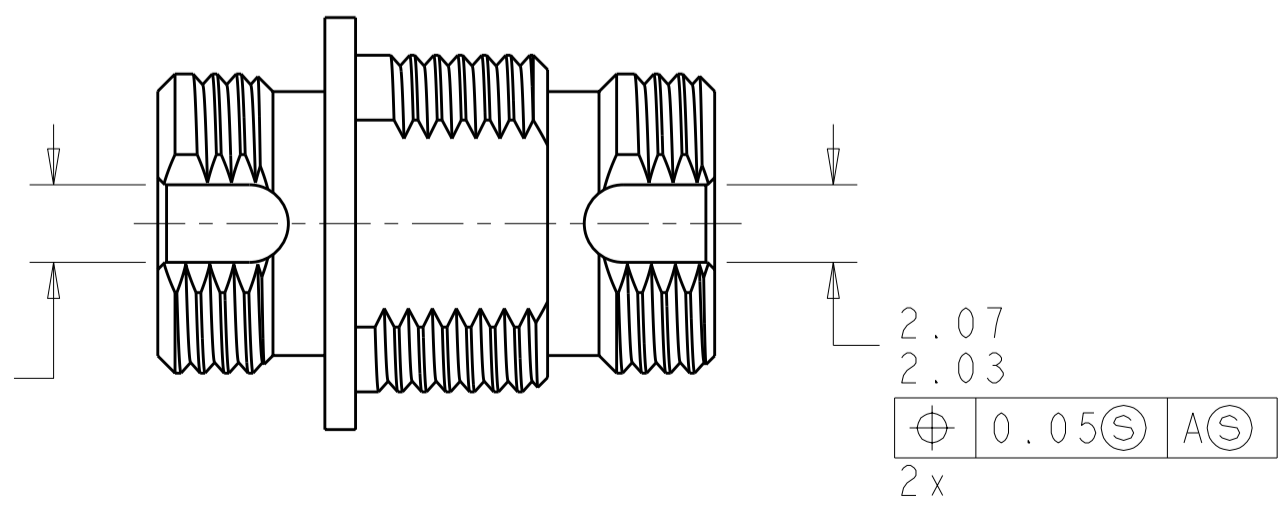


STANDARD SLOT



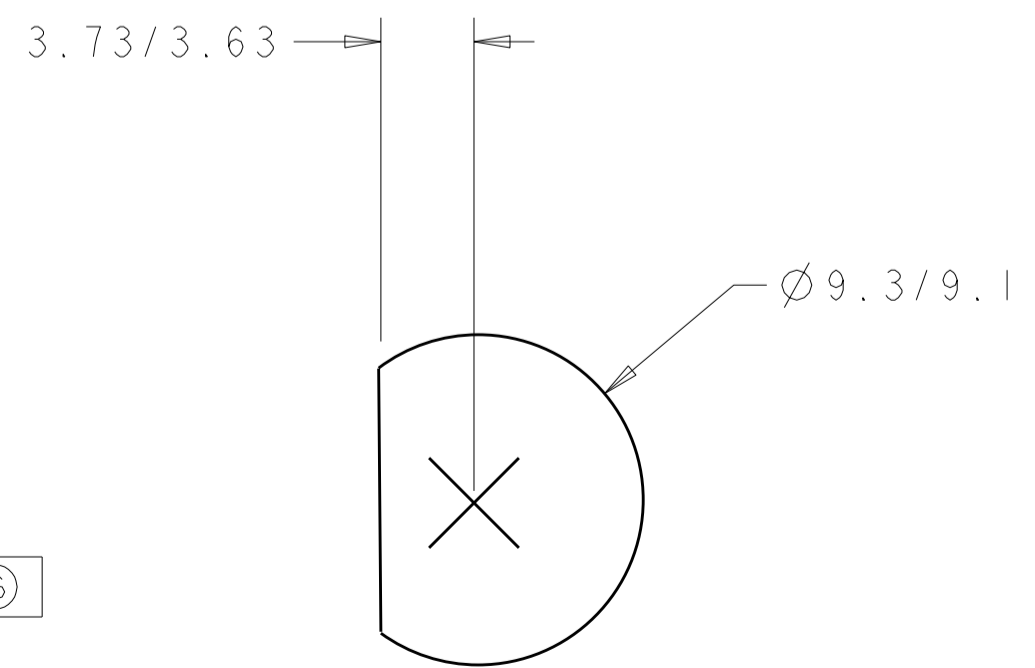
PRECISION SLOT (2.02)

-A-



PRECISION SLOT (2.05)

-A-



SUGGESTED PANEL CUTOUT  
 MAX. PANEL THICKNESS 1.65

△ MATERIAL:  
 HOUSING, INSERT, HEX NUT: BRASS, NICKEL PLATED.  
 SLEEVE: SEE TABLE.  
 LOCK WASHER: STEEL, NICKEL PLATED.  
 PROTECTIVE CAP: PVC, NON-FR.

△ BULK PACKAGE.

| DESCRIPTION           | SLEEVE MATERIAL     | PART NUMBER |
|-----------------------|---------------------|-------------|
| PRECISION SLOT (2.05) | ZIRCONIA (LOW LOSS) | 1-5504407-2 |
| PRECISION SLOT (2.05) | ZIRCONIA            | 5504407-9   |
| PRECISION SLOT (2.05) | ZIRCONIA            | 5504407-8   |
| PRECISION SLOT (2.02) | ZIRCONIA            | 5504407-7   |
| PRECISION SLOT (2.02) | ZIRCONIA            | 5504407-6   |
| STANDARD SLOT         | ZIRCONIA            | 5504407-4   |
| STANDARD SLOT         | ZIRCONIA            | 5504407-3   |
| STANDARD SLOT         | PHOS BRONZE         | 5504407-2   |
| STANDARD SLOT         | PHOS BRONZE         | 5504407-1   |

THIS DRAWING IS A CONTROLLED DOCUMENT.

DWN B. BRIGGS 19JUL2005  
 CHK S. BUCHTER 19JUL2005  
 APVD S. BUCHTER 19JUL2005

STE TE Connectivity

NAME ADAPTER KIT, FC, PRECISION AND STANDARD SLOT

SIZE CAGE CODE DRAWING NO RESTRICTED TO  
 A200779 C-5504407 -

MATERIAL ∆

TOLERANCES UNLESS OTHERWISE SPECIFIED:  
 0 PLC ±  
 1 PLC ±  
 2 PLC ±0.25  
 3 PLC ±  
 4 PLC ±  
 ANGLES ±  
 FINISH

PRODUCT SPEC -  
 APPLICATION SPEC -  
 WEIGHT -

CUSTOMER DRAWING SCALE 5:1 SHEET 1 OF 1 REV AI