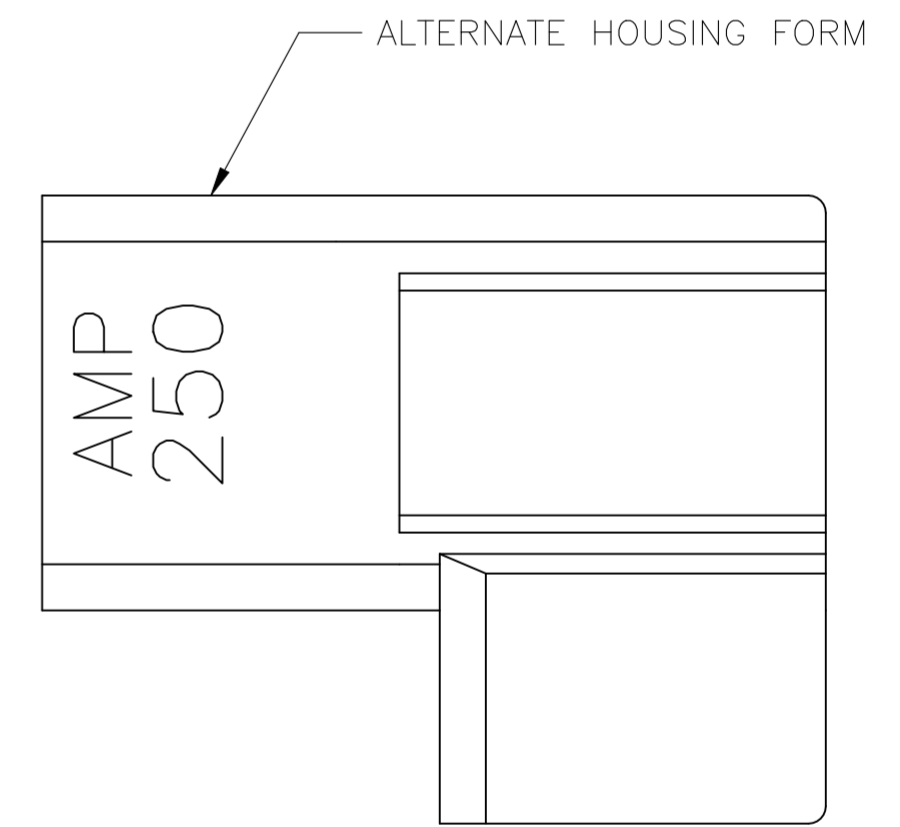
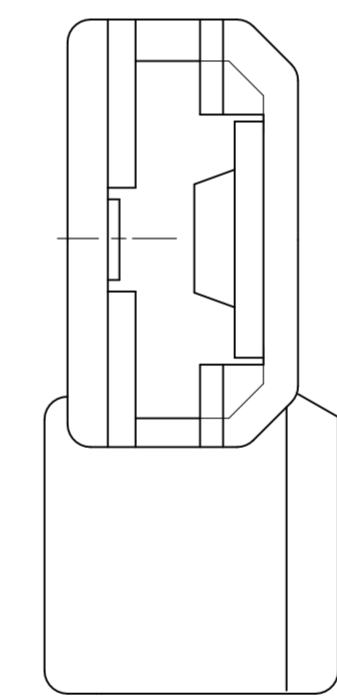
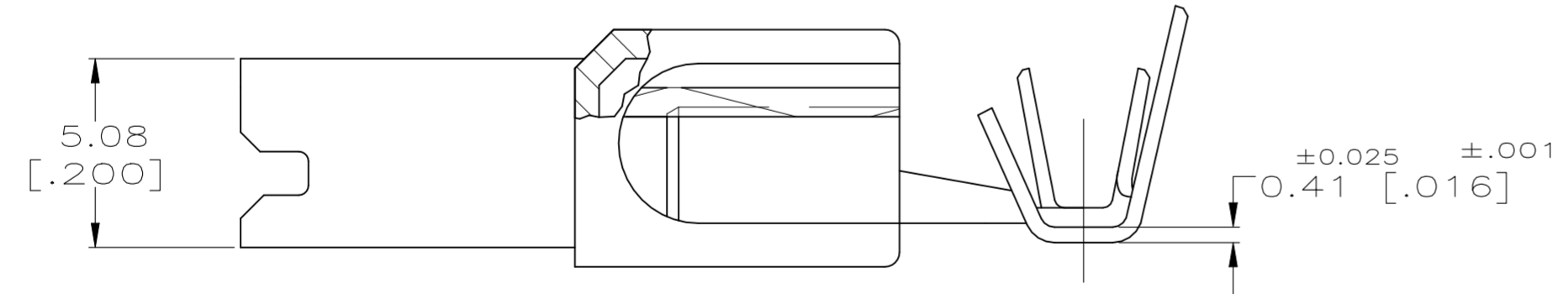
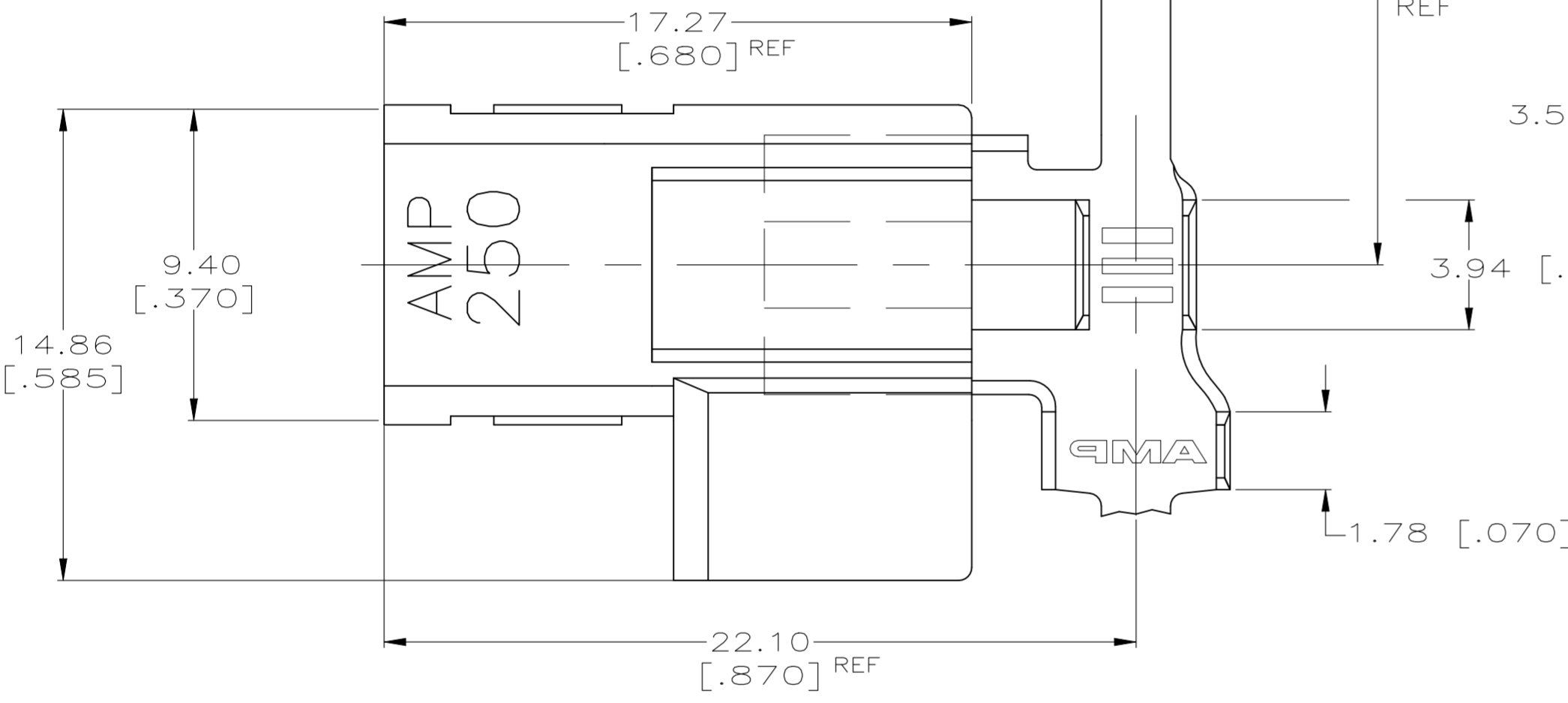
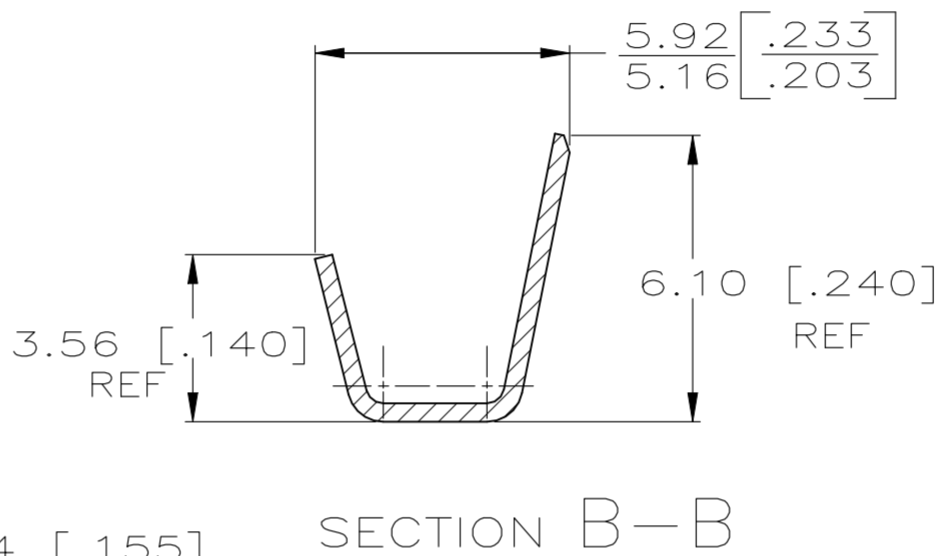
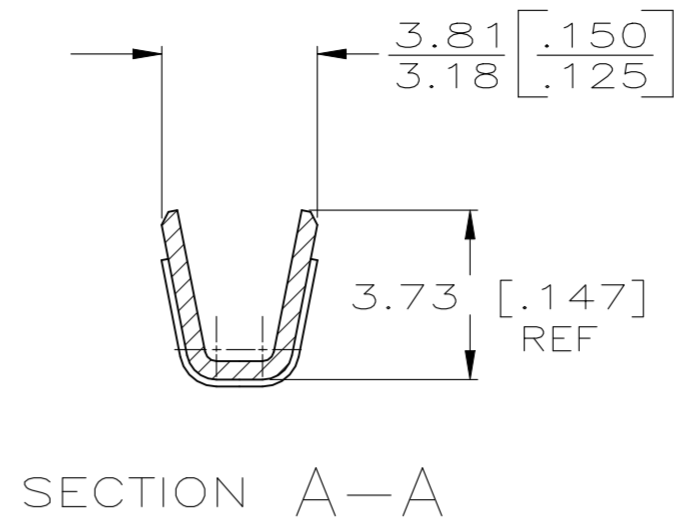
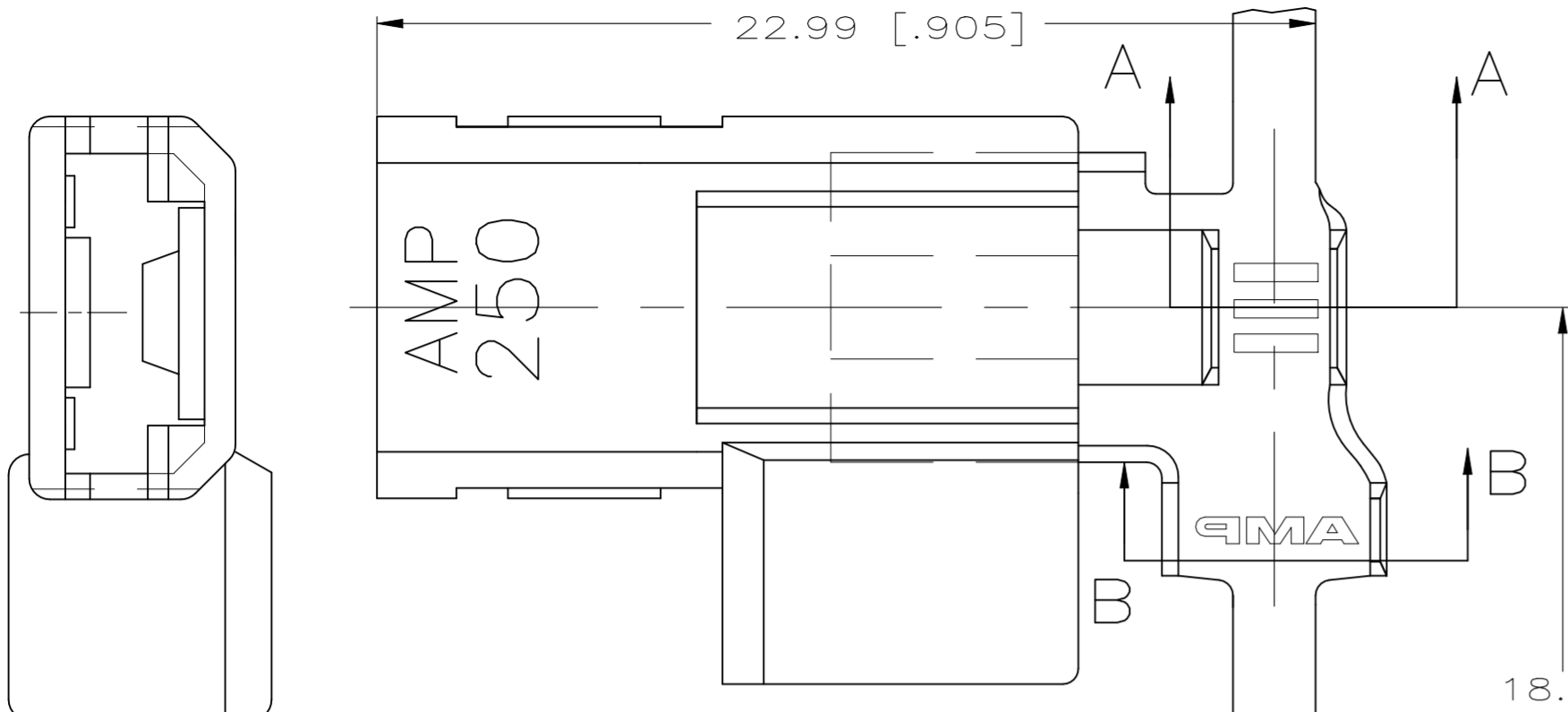


THIS DRAWING IS UNPUBLISHED. RELEASED FOR PUBLICATION
 © COPYRIGHT - TE Connectivity Ltd. ALL RIGHTS RESERVED.

REVISIONS					
P	LTR	DESCRIPTION	DATE	DWN	APVD
E4		REVISED PER ECR-22-159732	06DEC2022	DB	BW

- BUDGET FLAG FASTON TERMINALS, BASE P/N 63559, ARE USED IN THIS PRODUCT.
- WIRE SIZE [#18-#14] AWG.
- INSULATION RANGE IS 2.79-4.06[.110-.160] DIA.
- PRELIMINARY - NOT FOR PRODUCTION
- OFFERED FOR CONSIDERATION IN APPLICATIONS REQUIRING "NON-DRIP" HOUSING MATERIAL.
- NOTE DELETED



SUPERSEDED BY 521716-4	4	NYLON, UL94 V-0 GWIT 960°C	TIN PLATED - 4M BRASS	521716-4
SUPERSEDED BY 521716-4	STANDARD	NYLON UL94 V-0	PLAIN 4M BRASS	521716-3
SUPERSEDED BY 521716-4	STANDARD		TIN PLATED - 4M BRASS	521716-2
SUPERSEDED BY 521716-4	STANDARD		PLAIN - 4M BRASS	521716-1

THIS DRAWING IS A CONTROLLED DOCUMENT.	DWN R FLAIG 23MAR2004	NAME	TE Connectivity Ltd.	
DIMENSIONS: mm [INCHES]	TOLERANCES UNLESS OTHERWISE SPECIFIED:	PRODUCT SPEC 108-1285	ASSEMBLY, RECEPTACLE, FLAG, ULTRA-POD, 6.35 [.250] SERIES	
	0 PLC ± -	APPLICATION SPEC 114-2124	SIZE A2	CAGE CODE 00779
	1 PLC ± -	WEIGHT -	DRAWING NO C=521716	RESTRICTED TO -
	2 PLC ± -	CUSTOMER DRAWING	SCALE 6:1	SHEET 1 of 1
	3 PLC ± 0.25 [.010]		REV E4	
	4 PLC ± -			
	ANGLES ± -			
MATERIAL SEE TABLE	FINISH SEE TABLE			